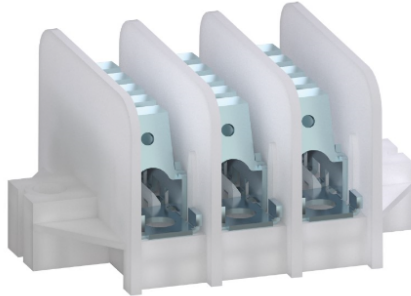


308-PA/..-402 , 308-PAG/..-402

Distributor strip

Tab connections 5 x 6.3; slanted



GENERAL INFORMATION

Pitch: 11.00 mm

No. of poles: 1 - 16

TECHNICAL DATA

Rated current: 10 A with receptable 6.3; wire 1.5 mm² 16 A with receptable 6.3; wire 2.5 mm² 20 A with receptable 6.3; wire 4 mm² 25 A with receptable 6.3; wire 6 mm²

Rated insulation voltage: 450 V acc. to EN 60998-1

RATINGS

	Current [A]	Voltage [V]	Group	AWG	Torque [Nm]
	300	20	B		
		10	D		

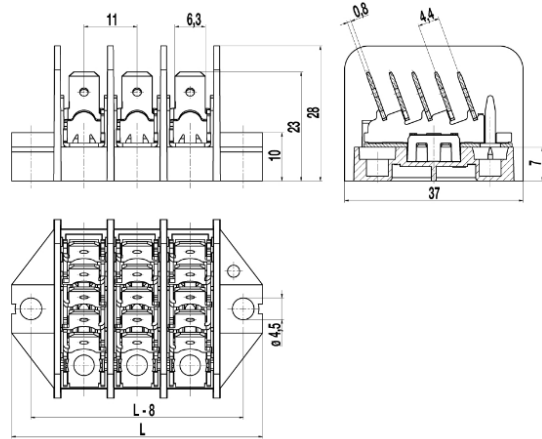
	Current [A]	Voltage [V]	Cross Section [mm ²]	AWG	TORQUE
	17.5	450	1.5		

Distributor Stock Check

Download PDF

How to Order

TECHNICAL DRAWINGS



MATERIALS

Moulding: PA, natural, V-2 (PAG-Version: PA glass fiber reinforced, natural, V-0) Details in brackets apply for "no flame" products

Comparative tracking index: CTI 250 (CTI 400)

Temperature range: RTI Str 90°C (130°C PAG-Version)

Tab: Zinc plated steel

OPTIONS / ACCESSORIES

Consecutive Numbering

Special marking according to drawing

Fixed marking in the tool on request



X-ON Electronics

Largest Supplier of Electrical and Electronic Components

Click to view similar products for [Pluggable Terminal Blocks](#) category:

Click to view products by [Weco](#) manufacturer:

Other Similar products are found below :

[57.510.0053](#) [721-104/026-047](#) [721-204/026-045](#) [MC 1.5/ 6-ST-3.5 GY AU](#) [ET02015000J0G](#) [860505](#) [860516](#) [860810](#) [GBPACX-12](#)
[93.731.4953.0](#) [PVP03-3,50](#) [PVS02-5,00](#) [1-1986160-3](#) [1377680000](#) [1531000000](#) [1546228-5](#) [ELFP03110](#) [ELFP10210](#) [ELFT07250](#)
[ELVD12100](#) [ELVF09400](#) [ELXH071G0E](#) [1725220000](#) [1760336](#) [1855000000](#) [19346](#) [1946309](#) [1973592](#) [19892](#) [25.320.4053.1](#) [25.320.4553.9](#)
[25.320.4753.1](#) [25.320.5453.1](#) [25.340.0353.1](#) [25.340.1053.1](#) [25.345.3553.0M001](#) [25.640.3553.1](#) [SH02-5,08](#) [SH06-3,81](#) [SH08-5,08](#) [SH08-](#)
[5,08-K](#) [SH12-5,08](#) [SHS04-5,00](#) [30.303](#) [30.305](#) [30.306](#) [PHP09-5,08](#) [25.193.0453.0](#) [25.320.4653.1](#) [25.332.2453.1](#)