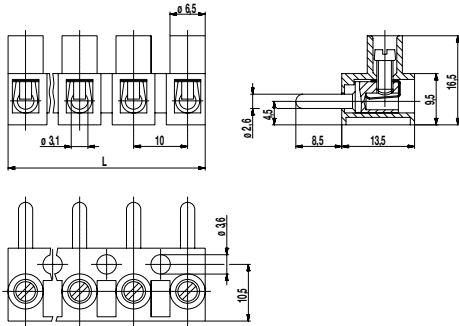


## Plug-in terminal strip

### 321-S(-DS)

Screw connection & pin



The plug-in terminal strip 321-S is available in 10 mm pitch with 1 to 12 poles. It has one screw connection per pole and one vertical pin for the connection to the socket of the female counterpart.

The plug-in terminal strip was designed with a solid pin in order provide permanent annular contact to the socket of 321-B.

The wire protector of the "DS"-version reliably prevents damage to multi-wire flexible conductors by the turning screw. These terminals strips can be screw-mounted on a substrate.

#### Part Numbers

No. of poles	321-S	321-S-DS	Length	PU
2	12.821.007	32.821.007	18,00	1000
3	13.821.007	33.821.007	28,00	1000
4	14.821.007	34.821.007	38,00	500
5	15.821.007	35.821.007	48,00	500
6	16.821.007	36.821.007	58,00	100
7	17.821.007	37.821.007	68,00	100
8	18.821.007	38.821.007	78,00	80
9	19.821.007	39.821.007	88,00	80
10	20.821.007	40.821.007	98,00	50
11	21.821.007	41.821.007	108,00	50
12	22.821.007	42.821.007	118,00	50

#### General Information

Pitch	10 mm
No. of poles	2 - 12
Usable with	321-B(-DS)
Areas of application	Applications that require to easily open and close not energised circuits.



#### Technical Data

Clamping Range	<i>solid / flexible / AWG</i>		
<i>without wire protector</i>	0,75 - 6 mm <sup>2</sup> / 0,75 - 2,5 mm <sup>2</sup> / 18 - 12 AWG		
<i>with wire protector</i>	0,5 - 4 mm <sup>2</sup> / 0,5 - 2,5 mm <sup>2</sup> / 20 - 12 AWG		
Rated Cross Section	2,5 mm <sup>2</sup>		
Wire Stripping Length	6 mm ± 0,5 mm		
Overvoltage Category	III	III	II
Pollution Severity Level	3	2	2
Rated Voltage	320 V	320 V	630 V
Rated Impulse Voltage	4 kV	4 kV	4 kV
Rated Insulation Voltage	450 V acc. to EN 60998-1 [1]		
Rated Current	16 A		
Torque	0,5 Nm		
Other specifications	Rated values apply to use in combination with 321-B(-DS) and insulated substrates.		

#### Material

Moulding	PA, natural, V-2
Comparative Tracking Index	CTI ≥ 600
Insulating Group	I
Temperature Range	-40°F up to 100°C
Terminal Body	Nickel plated brass
Screw	M3; zinc plated steel, blue passivated
Wire protector	Tin plated tin bronze
Plug	Nickel plated brass

#### Approvals

	Current	Voltage	Group	AWG	Nm
	20	300	B	18 - 12	0,51
	15	300	B	26 - 10	0,51 [2]
	10	300	D,E	26 - 10	0,51 [2]

#### Options / Accessories

- Marking options on the screw guides
- Leading plug for the protective conductor pole

[1] with insulating base

[2] for 321-S-DS: 26 - 12 AWG

## X-ON Electronics

Largest Supplier of Electrical and Electronic Components

*Click to view similar products for [Fixed Terminal Blocks](#) category:*

*Click to view products by [Weco](#) manufacturer:*

Other Similar products are found below :

[MBE-1512](#) [MBE-1520](#) [MBE-154](#) [MBE-156](#) [MBES-156](#) [MH-2512](#) [MHE-132](#) [MHE-163](#) [MI-254 \(35\)](#) [MPT-275](#) [ELM10110G](#) [BA311TU](#)  
[BA411SU](#) [MV-254-D](#) [MV-255](#) [MV-493](#) [MVE-252](#) [MVE-253](#) [MVEB-153](#) [1705142](#) [1-796689-8](#) [1841320000](#) [S451](#) [29.007](#) [29.116](#) [30.204](#)  
[30.503](#) [30.756](#) [30.853](#) [9872-0-00-15-00-00-33-0](#) [996750](#) [1710052](#) [20020316-G071B01LF](#) [20020327-C061B01LF](#) [29590](#) [30.652](#) [30.710](#)  
[30.754](#) [30.757](#) [32.058](#) [37.206](#) [37.208](#) [37.507](#) [37.558](#) [38331-5812](#) [38331-8018](#) [38540-1910](#) [39.002](#) [MBE-1517](#) [MBE-153](#)