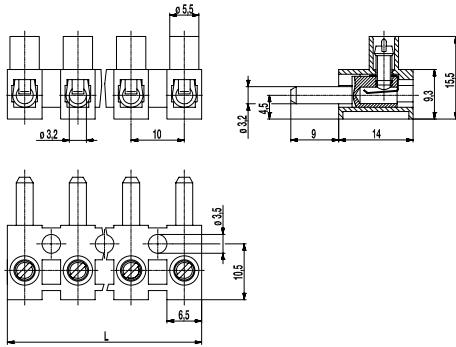
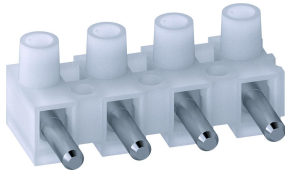


## 322-STFS(-DS)

Plug-in terminal strip  
Screw connection & pin



The plug-in terminal strip 322-STFS is available in 10 mm pitch with 2 to 12 poles. It has one screw connection per pole and one vertical pin for the connection to the socket of the female counterpart.

This plug-in terminal strip was designed with a solid pin in order to provide reliable permanent contact to the socket of 323-STFB.

The wire protector of the "DS"-version reliably prevents damage to multi-wire flexible conductors by the turning screw. These terminal strips can be screw-mounted on a substrate.

### Part Numbers

No. of poles	322-STFS	322-STFS-DS	Length	PU
2	72.821.002	12.821.032	18,00	1000
3	73.821.002	13.821.032	28,00	1000
4	74.821.002	14.821.032	38,00	500
5	75.821.002	15.821.032	48,00	500
6	76.821.002	16.821.032	58,00	100
7	77.821.002	17.821.032	68,00	100
8	78.821.002	18.821.032	78,00	80
9	79.821.002	19.821.032	88,00	80
10	80.821.002	20.821.032	98,00	50
11	81.821.002	21.821.032	108,00	50
12	82.821.002	22.821.032	117,00	50

### General Information

Pitch	10 mm
No. of poles	2 - 12
Usable with	323-STFB(-DS)
Areas of application	Applications that require to easily open and close not energised circuits.


### Technical Data

Clamping Range	<i>solid / flexible / AWG</i>
<i>without wire protector</i>	0,75 - 6 mm <sup>2</sup> / 0,75 - 4 mm <sup>2</sup> / 18 - 10 AWG
<i>with wire protector</i>	0,5 - 4 mm <sup>2</sup> / 0,5 - 2,5 mm <sup>2</sup> / 20 - 12 AWG
Rated Cross Section	2,5 mm <sup>2</sup>
Wire Stripping Length	6 mm ± 0,5mm
Overvoltage Category	III III II
Pollution Severity Level	3 2 2
Rated Voltage	400 V 630 V 1000 V
Rated Impulse Voltage	6 kV 6 kV 6 kV
Rated Insulation Voltage	450 V acc. to EN 60998-1 [1]
Rated Current	16 A
Torque	0,5 Nm
Other specifications	Rated values apply to use in combination with 323-STFB and insulated substrates.

### Material

Moulding	PA, natural, V-2
Comparative Tracking Index	CTI ≥ 600
Insulating Group	I
Temperature Range	-40°C up to 100°C
Terminal Body	Nickel plated brass
Screw	M3; zinc plated steel, blue passivated
Wire protector	Tin plated tin bronze
Plug	Nickel plated brass

### Approvals

	Current [A]	Voltage [V]	Group	AWG	[Nm]
	15	300	B	26 - 10	0,51 [2]
	10	300	D,E	26 - 10	0,51 [2]

### Options / Accessories

- Marking options on the screw guides
- Leading plug for the protective conductor pole
- Moulding made of special polyamide for e.g. household appliances

[1] with insulating base

[2] for 322-STFS-DS: 26 - 12 AWG

## X-ON Electronics

Largest Supplier of Electrical and Electronic Components

*Click to view similar products for [Fixed Terminal Blocks](#) category:*

*Click to view products by [Weco](#) manufacturer:*

Other Similar products are found below :

[MBE-1512](#) [MBE-1520](#) [MBE-154](#) [MBE-156](#) [MBES-156](#) [MH-2512](#) [MHE-132](#) [MHE-163](#) [MI-254 \(35\)](#) [MPT-275](#) [ELM10110G](#) [BA311TU](#)  
[BA411SU](#) [MV-254-D](#) [MV-255](#) [MV-493](#) [MVE-252](#) [MVE-253](#) [MVEB-153](#) [1705142](#) [1-796689-8](#) [1841320000](#) [S451](#) [29.007](#) [29.116](#) [30.204](#)  
[30.503](#) [30.756](#) [30.853](#) [9872-0-00-15-00-00-33-0](#) [996750](#) [1710052](#) [20020316-G071B01LF](#) [20020327-C061B01LF](#) [29590](#) [30.652](#) [30.710](#)  
[30.754](#) [30.757](#) [32.058](#) [37.206](#) [37.208](#) [37.507](#) [37.558](#) [38331-5812](#) [38331-8018](#) [38540-1910](#) [39.002](#) [MBE-1517](#) [MBE-153](#)