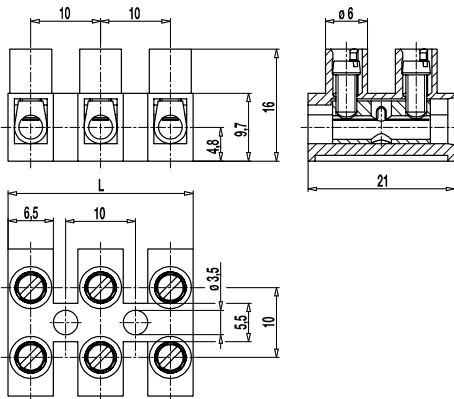


## Socket terminal strip

### 323(-HDS)

Screw connection



The socket terminal strip 323 is available in 10 mm pitch with 1- to 12-pole design and can be easily stripped to the desired number of poles. The flexible polyamide moulding can even be mounted on curved surfaces.

The wire protector of the "HDS"-version reliably prevents damage to multi-wire flexible conductors by the turning screw.

#### Part Numbers

No. of poles	323	323-HDS	Length	PU
1	11.822.010	31.822.008	8,00	2500
2	12.822.010	32.822.008	18,00	1000
3	13.822.010	33.822.008	28,00	1000
4	14.822.010	34.822.008	38,00	800
5	15.822.010	35.822.008	48,00	500
6	16.822.010	36.822.008	58,00	100
7	17.822.010	37.822.008	68,00	70
8	18.822.010	38.822.008	78,00	70
9	19.822.010	39.822.008	88,00	60
10	20.822.010	40.822.008	98,00	50
11	21.822.010	41.822.008	108,00	50
12	22.822.010	42.822.008	117,00	50

#### Part Numbers: "no flame" acc. to glow-wire test

No. of poles	323	323-HDS	Length	PU
1	11.822.038.EN6	31.822.038.EN6	8,00	2500
2	12.822.038.EN6	32.822.038.EN6	18,00	1000
3	13.822.038.EN6	33.822.038.EN6	28,00	1000
4	14.822.038.EN6	34.822.038.EN6	38,00	800
5	15.822.038.EN6	35.822.038.EN6	48,00	500
6	16.822.038.EN6	36.822.038.EN6	58,00	100
7	17.822.038.EN6	37.822.038.EN6	68,00	70
8	18.822.038.EN6	38.822.038.EN6	78,00	70
9	19.822.038.EN6	39.822.038.EN6	88,00	60
10	20.822.038.EN6	40.822.038.EN6	98,00	50
11	21.822.038.EN6	41.822.038.EN6	108,00	50
12	22.822.038.EN6	42.822.038.EN6	117,00	50

#### General Information

Pitch	10 mm
No. of poles	1 - 12
Areas of application	For household appliances or lightning applications and similar electrical equipment.




#### Technical Data

Clamping Range	<i>solid / flexible / AWG</i>		
<i>without wire protector</i>	0,75 - 6 mm <sup>2</sup> / 0,75 - 4 mm <sup>2</sup> / 18 - 10 AWG		
<i>with wire protector</i>	0,5 - 4 mm <sup>2</sup> / 0,5 - 2,5 mm <sup>2</sup> / 20 - 12 AWG		
Rated Cross Section	2,5 mm <sup>2</sup>		
Wire Stripping Length	6,5 mm ± 0,5 mm		
Oversoltage Category	III	III	II
Pollution Severity Level	3	2	2
Rated Voltage	400 V	630 V	1000 V
Rated Impulse Voltage	6 kV	6 kV	6 kV
Rated Insulation Voltage	450 V acc. to EN 60998-1		
Rated Current	24 A		
Torque	0,5 Nm		

#### Material

Moulding	PA, natural, V-2 (PA, white, V-0) Details in brackets for "no flame" products
Comparative Tracking Index	CTI ≥ 600
Insulating Group	I
Temperature Range	-40°C up to 100°C
Terminal Body	Nickel plated brass
Screw	M3; zinc plated steel, blue passivated
Wire protector	Stainless steel strip

#### Approvals

	Current	Voltage	Group	AWG	Nm
	30	300	B	22 - 10	0,51
	10	300	D	22 - 10	0,51
	25	300	B	26 - 10	0,51
	10	300	D,E	26 - 10	0,51
<hr/>					
	Current	Voltage	mm <sup>2</sup>		
	24	450	2,5		

#### Options / Accessories

- Marking options on and between the screw guides
- Marking strips BST-323
- Jumper 323-J
- Moulding made of special polyamide for e.g. household appliances
- Crosshead screws
- Cover caps A-323 und base plate B-323 for additional contact protection
- Integrated wire stop (323-V(-HDS))

## **X-ON Electronics**

Largest Supplier of Electrical and Electronic Components

*Click to view similar products for [Weco manufacturer](#):*

Other Similar products are found below :

[327-FU-HDS/10](#) [323-FU-16.5-HDS/12](#) [327-FU-HDS/05](#) [3070-PCM/03-033](#) [210-A-SMD/02](#) [4005-A](#) [307-PCM/06-033](#) [307-PCF/02](#) [110-M-211-SMD/03-MAG](#) [140-A-111/03](#) [121-M-211/04](#) [110-M-211-SMD/04-MAG](#) [140-A-126-SMD/02](#) [327-HDS/12](#) [971-SLR-THR-1.3/06](#) [110-M-211-SMD/02-MAG](#) [980-W/07](#) [980-S/07](#) [3-DIN-46284-ST-OHNE-VDE](#) [120-D-111/08](#) [950-D-SMD-DS/06](#) [876-DR/08](#) [110-M-111/05](#) [120-M-221/06](#) [874-DR/02](#) [150-C-111/03](#) [324-FU-HDS/06](#) [17-MUB](#) [830-A-111-SMD/02-MAG](#) [977-OPSG-DS/05](#) [950-FL-DS/06](#) [140-A-SMD/03](#) [308-PA/03-402](#) [140-A-126-SMD/04-MAG](#) [302-NSTB-DS/02](#) [3070-PCM/06-033](#) [158-A-111/03](#) [302-N-HDS/12](#) [210-A-126-SMD/04-MAG](#) [932-DS/05](#) [982-D/09](#) [324-FU-HDS/12](#) [326-HDS/12](#) [327-HDS/05](#) [327-FU-HDS/12](#) [122-D-121/08-BNA](#) [122-D-121/06-BNA](#) [974-T-DS/02](#) [339-KF](#) [4010-B](#)