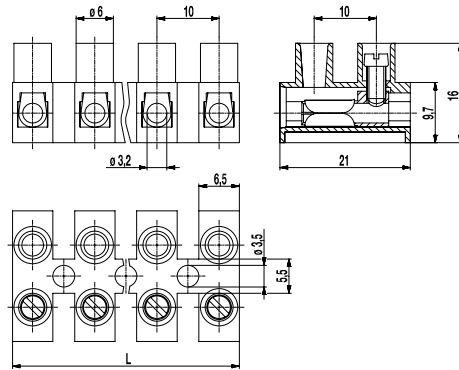
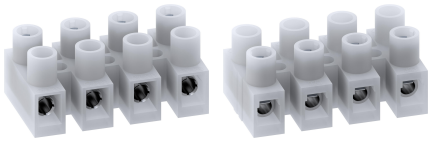


323-STFB(-DS)

Plug-in terminal strip
Screw connection & socket



GENERAL INFORMATION

Pitch	10 mm
No. of poles	2 - 12
Usable with	322-STFS(-DS)
Areas of application	Applications that require to easily open and close not energised circuits.

TECHNICAL DATA

Clamping Range	<i>solid / stranded / AWG</i>		
<i>without wire protector</i>	0,75 - 6 mm ² / 0,75 - 4 mm ² / 18 - 10 AWG		
<i>with wire protector</i>	0,5 - 4 mm ² / 0,5 - 2,5 mm ² / 20 - 12 AWG		
Rated Cross Section	2,5 mm ²		
Wire Stripping Length	6 mm ± 0,5 mm		
Overvoltage Category	III	III	II
Pollution Severity Level	3	2	2
Rated Voltage	400 V	630 V	630 V
Rated Impulse Voltage	6 kV	6 kV	6 kV
Rated Insulation Voltage	450 V acc. to EN 60998-1 [1]		
Rated Current	16 A		
Torque	0,5 Nm		
Other specifications	Rated values apply to use in combination with 322-STFS(-DS) and insulated substrates.		

APPROVALS

	Current [A]	Voltage [V]	Group	AWG	[Nm]
	15	300	B	26 - 10	0,51 [2]
	10	300	D,E	26 - 10	0,51 [2]

MATERIAL

Moulding	PA, natural, V-2
Comparative Tracking Index	CTI ≥ 600
Insulating Group	I
Temperature Range	-40°C up to 100°C
Terminal body	Nickel plated brass
Screw	M3; zinc plated steel, blue passivated
Wire protector	Tin plated tin bronze
Spring	Stainless steel strip

OPTIONS / ACCESSORIES

- Marking options on and between the screw guides
- Jumper 323-J
- Leading terminal body for the protective conductor pole

[1] with insulating base

[2] for 323-STFB-DS: 26 - 12 AWG

CONFIGURATIONS

Version	Poles	Item	Article number	Item	Article number	Length (L)	PU
Standard	2	323-STFB/02	32.822.012	323-STFB-DS/02	52.822.011	18,00 mm	430
Standard	3	323-STFB/03	33.822.012	323-STFB-DS/03	53.822.011	28,00 mm	650
Standard	4	323-STFB/04	34.822.012	323-STFB-DS/04	54.822.011	38,00 mm	870
Standard	5	323-STFB/05	35.822.012	323-STFB-DS/05	55.822.011	48,00 mm	1080
Standard	6	323-STFB/06	36.822.012	323-STFB-DS/06	56.822.011	58,00 mm	1300
Standard	7	323-STFB/07	37.822.012	323-STFB-DS/07	57.822.011	68,00 mm	1500
Standard	8	323-STFB/08	38.822.012	323-STFB-DS/08	58.822.011	78,00 mm	1700
Standard	9	323-STFB/09	39.822.012	323-STFB-DS/09	59.822.011	88,00 mm	60
Standard	10	323-STFB/10	40.822.012	323-STFB-DS/10	60.822.011	98,00 mm	50
Standard	11	323-STFB/11	41.822.012	323-STFB-DS/11	61.822.011	108,00 mm	50
Standard	12	323-STFB/12	42.822.012	323-STFB-DS/12	62.822.011	118,00 mm	50



X-ON Electronics

Largest Supplier of Electrical and Electronic Components

Click to view similar products for [Fixed Terminal Blocks](#) category:

Click to view products by [Weco](#) manufacturer:

Other Similar products are found below :

[MBE-1512](#) [MBE-1520](#) [MBE-154](#) [MBE-156](#) [MBES-156](#) [MH-2512](#) [MHE-132](#) [MHE-163](#) [MI-254 \(35\)](#) [MPT-275](#) [ELM10110G](#) [BA311TU](#)
[BA411SU](#) [MV-254-D](#) [MV-255](#) [MV-493](#) [MVE-252](#) [MVE-253](#) [MVEB-153](#) [1705142](#) [1-796689-8](#) [1841320000](#) [S451](#) [29.007](#) [29.116](#) [30.204](#)
[30.503](#) [30.756](#) [30.853](#) [9872-0-00-15-00-00-33-0](#) [996750](#) [1710052](#) [20020316-G071B01LF](#) [20020327-C061B01LF](#) [29590](#) [30.652](#) [30.710](#)
[30.754](#) [30.757](#) [32.058](#) [37.206](#) [37.208](#) [37.507](#) [37.558](#) [38331-5812](#) [38331-8018](#) [38540-1910](#) [39.002](#) [MBE-1517](#) [MBE-153](#)