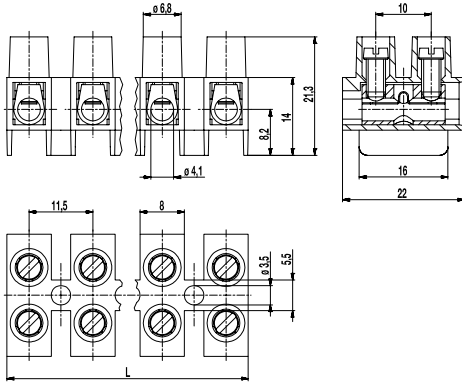
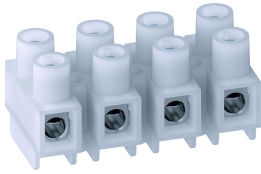


324-FU(-HDS)

Socket terminal strip
Screw connection, with raised base



The socket terminal strip 324-FU with a pitch of 11,5 mm is available in 1- to 12-pole design and can easily be cut into the required number of poles.

The raised base of the FU-Type extends the creepage distance to the ground to 12,7 mm which allows 600 V in accordance with CSA without an additional insulating base.

The flexible polyamide moulding can even be mounted on curved surfaces.

The wire protector of the "HDS"-version reliably prevents damage to multi-wire flexible conductors by the turning screw.

Part Numbers

No. of poles	324-FU	324-FU-HDS	Length	PU
1	11.823.013	31.823.013	9,00	3000
2	12.823.013	32.823.013	21,00	1000
3	13.823.013	33.823.013	32,00	500
4	14.823.013	34.823.013	44,00	500
5	15.823.013	35.823.013	55,00	500
6	16.823.013	36.823.013	67,00	100
7	17.823.013	37.823.013	78,00	70
8	18.823.013	38.823.013	90,00	50
9	19.823.013	39.823.013	101,00	50
10	20.823.013	40.823.013	113,00	50
11	21.823.013	41.823.013	124,00	50
12	22.823.013	42.823.013	135,00	50

General Information

Pitch	11,5 mm
No. of poles	1 - 12
Areas of application	For lighting applications and similar electrical equipment.




Technical Data

Clamping Range	<i>solid / flexible / AWG</i>		
<i>without wire protector</i>	1 - 10 mm ² / 1 - 6 mm ² / 16 - 10 AWG		
<i>with wire protector</i>	0,75 - 6 mm ² / 0,75 - 4 mm ² / 18 - 12 AWG		
Rated Cross Section	4 mm ²		
Wire Stripping Length	7 mm ± 0,5 mm		
Overvoltage Category	III	III	II
Pollution Severity Level	3	2	2
Rated Voltage	800 V	1000 V	1000 V
Rated Impulse Voltage	8 kV	8 kV	6 kV
Rated Insulation Voltage	750 V acc. to EN 60998-1		
Rated Current	32 A		
Torque	0,8 Nm		

Material

Moulding	PA, natural, V-2
Comparative Tracking Index	CTI ≥ 600
Insulating Group	I
Temperature Range	-40°C up to 100°C
Terminal Body	Tin plated brass
Screw	M3,5; zinc plated steel, blue passivated
Wire protector	Stainless steel strip

Approvals

	Current [A]	Voltage [V]	Group	AWG	[Nm]
	35	300	B	22 - 8	0,8
	10	300	D	22 - 8	0,8
	40	300	B,C	22 - 10	0,8 [1]
	5	600	D,E	22 - 10	0,8 [1]
	Current [A]	Voltage [V]	[mm ²]		
	32	750	4,0		

[1] for 324-FU-HDS does apply 26 - 10 AWG

Options / Accessories

- Marking options on the screw guides
- Marking strips BST-324
- Jumper 324-J
- Moulding made of special polyamide for e.g. household appliances
- Screws made out of brass
- Crosshead screws
- Sockets with blind hole

X-ON Electronics

Largest Supplier of Electrical and Electronic Components

Click to view similar products for [Weco manufacturer](#):

Other Similar products are found below :

[110-A-111/02](#) [110-A-111/03](#) [110-A-111/04](#) [110-A-111/05](#) [110-A-111/06](#) [110-A-111/08-BA](#) [110-M-111/02](#) [110-M-111/05](#) [110-M-111/06](#)
[110-M-121/02](#) [110-M-121/06](#) [110-M-211/02](#) [110-M-211/03](#) [110-M-211/04](#) [110-M-211/05](#) [110-M-211/06](#) [110-M-211-SMD/02-MAG](#) [110-M-211-SMD/03-MAG](#) [110-M-211-SMD/04-MAG](#) [110-M-221/02](#) [110-M-221/03](#) [110-M-221/04](#) [110-M-221/05](#) [110-M-221/06](#) [110-P-111/16](#)
[120-A-111/02-K](#) [120-A-111/03](#) [120-A-111/04](#) [120-A-111/05](#) [120-A-111/06](#) [120-A-111/10-333](#) [120-D-111/08](#) [120-D-121/06](#) [120-M-211/02](#)
[120-M-211/02-K](#) [120-M-211/03](#) [120-M-221/02](#) [120-M-221/03](#) [120-M-221/04](#) [120-M-221/06](#) [120-M-222/06](#) [120-M-222/08](#) [120-M-222/10](#)
[121-A-111/02](#) [121-A-111/03](#) [121-A-111/04](#) [121-A-111/05](#) [121-A-111/06](#) [121-D-121/05](#) [121-M-111 /02](#)