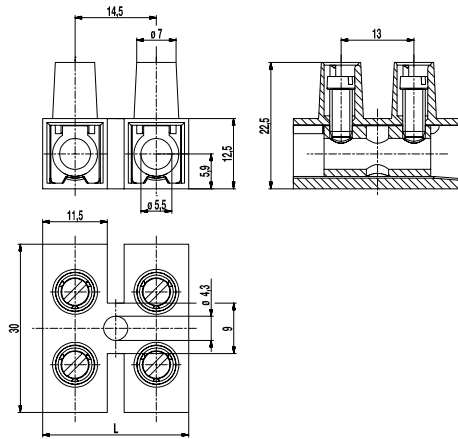
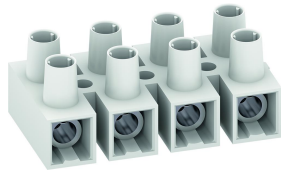


326(-HDS)

Socket terminal strip
Screw connection



The socket terminal strip 326 is available in 14,5 mm pitch with 1- to 12-pole design and can be easily stripped to the desired number of poles.

This version has a large terminal space and a creepage distance of more than 7 mm measured from terminal body to mounting surface. That is why this terminal strip is suitable for voltages up to 750 V.

One fixing hole is located between every two poles.

The flexible polyamide moulding can even be mounted on curved surfaces.

The wire protector of the "HDS"-version reliably prevents damage to multi-wire flexible conductors by the turning screw.

General Information

Pitch	14,5 mm
No. of poles	1 - 12
Areas of application	For lighting applications and similar electrical equipment.




Technical Data

Clamping Range	<i>solid / flexible / AWG</i>		
	<i>without wire protector</i> 2,5 - 16 mm ² / 2,5 - 10 mm ² / 14 - 8 AWG		
	<i>with wire protector</i> 1,5 - 10 mm ² / 1,5 - 6 mm ² / 16 - 8 AWG		
Rated Cross Section	10 mm ²		
Wire Stripping Length	9 mm ± 1 mm		
Overvoltage Category	III	III	II
Pollution Severity Level	3	2	2
Rated Voltage	500 V	630 V	1000 V
Rated Impulse Voltage	6 kV	6 kV	6 kV
Rated Insulation Voltage	750 V acc. to EN 60998-1		
Rated Current	57 A		
Torque	1,2 Nm		

Material

Moulding	PA, white, V-0
Comparative Tracking Index	CTI ≥ 600
Insulating Group	I
Temperature Range	-40°C up to 100°C
Terminal Body	Nickel plated brass
Screw	M4; zinc plated steel, blue passivated
Wire protector	Stainless steel strip

Approvals

	Current [A]	Voltage [V]	Group	AWG	[Nm]
	50	300	B	14 - 8	1,13
	50	150	C	14 - 8	1,13
	10	300	D	14 - 8	1,13
	55	300	B	14 - 8	1,2
	55	150	C	14 - 8	1,2
	10	300	D,E	14 - 8	1,2
	Current [A]	Voltage [V]	[mm ²]		
	57	750	10		

Options / Accessories

- Marking options on and between the screw guides
- Marking strips BST-326
- Jumper 327-J

Part Numbers

No. of poles	326	326-HDS	Length	PU
1	11.824.006.EN6	31.824.006.EN6	14,50	1000
2	12.824.006.EN6	32.824.006.EN6	29,00	500
3	13.824.006.EN6	33.824.006.EN6	43,50	400
4	14.824.006.EN6	34.824.006.EN6	58,00	250
5	15.824.006.EN6	35.824.006.EN6	72,50	200
6	16.824.006.EN6	36.824.006.EN6	87,00	200
7	17.824.006.EN6	37.824.006.EN6	101,50	160
8	18.824.006.EN6	38.824.006.EN6	116,00	160
9	19.824.006.EN6	39.824.006.EN6	130,50	130
10	20.824.006.EN6	40.824.006.EN6	145,00	100
11	21.824.006.EN6	41.824.006.EN6	159,50	100
12	22.824.006.EN6	42.824.006.EN6	171,00	100

X-ON Electronics

Largest Supplier of Electrical and Electronic Components

Click to view similar products for [Barrier Terminal Blocks](#) category:

Click to view products by [Weco](#) manufacturer:

Other Similar products are found below :

[CR151D20104](#) [670A-RZ-15-KT20](#) [6C1N03](#) [6PCR-02](#) [6PCR-02-008](#) [6PCR-05-008](#) [6PCR-08-008](#) [6PCR-09-008](#) [6PCR-13-006](#) [6PCR-15-006](#) [6PCV-06-008](#) [6PCV-06-716](#) [6PCV-09-001](#) [6PCV-15-008](#) [6PCV-17-1206](#) [6PCV-20-323](#) [6STR-06-006](#) [6STR-08-006](#) [6STR-12-008](#) [6STR-13-006](#) [6STR-14-008](#) [6STR-16-008](#) [6STR-17-008](#) [6STR-21-008](#) [6STR-25-008](#) [6STR-27-008](#) [6STV-03-008](#) [6STV-09-006](#) [6STV-10-006](#) [6WWV-11-008](#) [6WWV-12-008](#) [6WWV-16-008](#) [71502-50](#) [71507-47-50](#) [72504-C-50](#) [72506-C](#) [72507-C-50](#) [72508-56](#) [73203](#) [75505-C-50](#) [812-GP-3/4ST-09](#) [812-GPZ-03PSB](#) [8-1437402-5](#) [8-1437402-7](#) [8PCR-06-006](#) [8PCR-11-006](#) [8PCV-04-001](#) [8PCV-05-008](#) [8PCV-09-006](#) [8PCV-15-006](#)