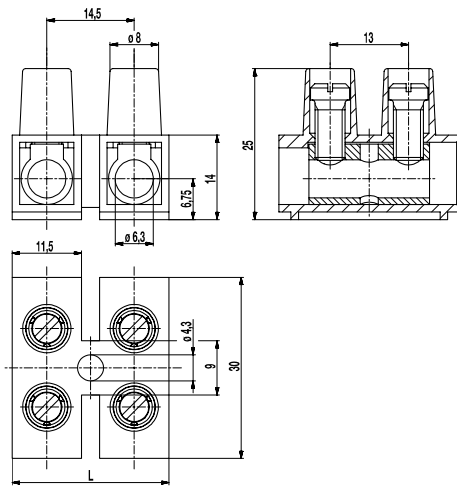


## Socket terminal strip

### 327(-HDS)

Screw connection



The socket terminal strip 327 is available in 14,5 mm pitch with 1- to 12-pole design and can be easily stripped to the desired number of poles. Due to the M5 screw, the socket hole diameter of 6,3 mm and a creepage distance of more than 9 mm between terminal body and mounting surface, this version is well suited for large cross-sections, high currents and voltages.

One fixing hole is located between every two poles.

The flexible polyamide moulding can even be mounted on curved surfaces.

The wire protector of the "DS"-version reliably prevents damage to multi-wire flexible conductors by the turning screw.

#### Part Numbers

No. of poles	327	327-HDS	Length	PU
1	11.825.001.EN6	31.825.001.EN6	14,50	1000
2	12.825.001.EN6	32.825.001.EN6	29,00	500
3	13.825.001.EN6	33.825.001.EN6	43,50	250
4	14.825.001.EN6	34.825.001.EN6	58,00	250
5	15.825.001.EN6	35.825.001.EN6	72,50	200
6	16.825.001.EN6	36.825.001.EN6	87,00	180
7	17.825.001.EN6	37.825.001.EN6	101,50	160
8	18.825.001.EN6	38.825.001.EN6	116,00	160
9	19.825.001.EN6	39.825.001.EN6	130,50	130
10	20.825.001.EN6	40.825.001.EN6	145,00	100
11	21.825.001.EN6	41.825.001.EN6	159,50	100
12	22.825.001.EN6	42.825.001.EN6	171,00	90

#### General Information

Pitch	14,5 mm
No. of poles	1 - 12
Areas of application	For lightning applications and similar electrical equipment.




#### Technical Data

Clamping Range	<i>solid / flexible / AWG</i>		
<i>without wire protector</i>	4 - 16 mm <sup>2</sup> / 4 - 16 mm <sup>2</sup> / 12 - 4 AWG		
<i>with wire protector</i>	4 - 16 mm <sup>2</sup> / 4 - 10 mm <sup>2</sup> / 12 - 6 AWG		
Rated Cross Section	16 mm <sup>2</sup> [1]		
Wire Stripping Length	9 mm ± 1 mm		
Overvoltage Category	III	III	II
Pollution Severity Level	3	2	2
Rated Voltage	630 V	630 V	1000 V
Rated Impulse Voltage	6 kV	6 kV	6 kV
Rated Insulation Voltage	750 V acc. to EN 60998-1		
Rated Current	76 A		
Torque	2 Nm		

#### Material

Moulding	PA, white, V-0
Comparative Tracking Index	CTI ≥ 600
Insulating Group	I
Temperature Range	-40°C up to 100°C
Terminal Body	Nickel plated brass
Screw	M5; zinc plated steel, blue passivated
Wire protector	Stainless steel strip

#### Approvals

	Current	Voltage	Group	AWG	Nm
	80	300	B,C	14 - 4	1,8
	80	300	B	14 - 6	1,8
	80	150	C	14 - 6	1,8
	10	300	D,E	14 - 6	1,8
	Current	Voltage	mm <sup>2</sup>		
	76	750	16		

#### Options / Accessories

- Marking options on and between the screw guides
- Marking strips BST-327
- Jumper 327-J
- Version with raised base: please see 327-FU

[1] multi-wire

## X-ON Electronics

Largest Supplier of Electrical and Electronic Components

*Click to view similar products for [Weco manufacturer](#):*

Other Similar products are found below :

[110-A-111/02](#) [110-A-111/03](#) [110-A-111/04](#) [110-A-111/05](#) [110-A-111/06](#) [110-A-111/08-BA](#) [110-M-111/02](#) [110-M-111/05](#) [110-M-111/06](#)  
[110-M-121/02](#) [110-M-121/06](#) [110-M-211/02](#) [110-M-211/03](#) [110-M-211/04](#) [110-M-211/05](#) [110-M-211/06](#) [110-M-211-SMD/02-MAG](#) [110-M-211-SMD/03-MAG](#) [110-M-211-SMD/04-MAG](#) [110-M-221/02](#) [110-M-221/03](#) [110-M-221/04](#) [110-M-221/05](#) [110-M-221/06](#) [110-P-111/16](#)  
[120-A-111/02-K](#) [120-A-111/03](#) [120-A-111/04](#) [120-A-111/05](#) [120-A-111/06](#) [120-A-111/10-333](#) [120-D-111/08](#) [120-D-121/06](#) [120-M-211/02](#)  
[120-M-211/02-K](#) [120-M-211/03](#) [120-M-221/02](#) [120-M-221/03](#) [120-M-221/04](#) [120-M-221/06](#) [120-M-222/06](#) [120-M-222/08](#) [120-M-222/10](#)  
[121-A-111/02](#) [121-A-111/03](#) [121-A-111/04](#) [121-A-111/05](#) [121-A-111/06](#) [121-D-121/05](#) [121-M-111 /02](#)