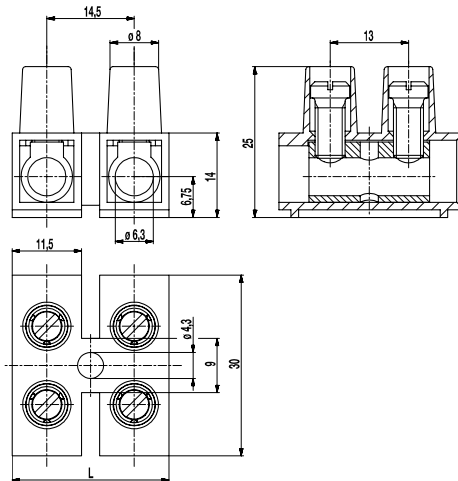
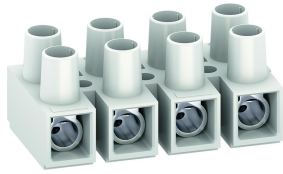


327(-HDS)

Socket terminal strip
Screw connection



The socket terminal strip 327 is available in 14,5 mm pitch with 1- to 12-pole design and can be easily stripped to the desired number of poles. Due to the M5 screw, the socket hole diameter of 6,3 mm and a creepage distance of more than 9 mm between terminal body and mounting surface, this version is well suited for large cross-sections, high currents and voltages.

One fixing hole is located between every two poles.
The flexible polyamide moulding can even be mounted on curved surfaces.

The wire protector of the "DS"-version reliably prevents damage to multi-wire flexible conductors by the turning screw.

Part Numbers

No. of poles	327	327-HDS	Length	PU
1	11.825.001.EN6	31.825.001.EN6	14,50	1000
2	12.825.001.EN6	32.825.001.EN6	29,00	500
3	13.825.001.EN6	33.825.001.EN6	43,50	250
4	14.825.001.EN6	34.825.001.EN6	58,00	250
5	15.825.001.EN6	35.825.001.EN6	72,50	200
6	16.825.001.EN6	36.825.001.EN6	87,00	180
7	17.825.001.EN6	37.825.001.EN6	101,50	160
8	18.825.001.EN6	38.825.001.EN6	116,00	160
9	19.825.001.EN6	39.825.001.EN6	130,50	130
10	20.825.001.EN6	40.825.001.EN6	145,00	100
11	21.825.001.EN6	41.825.001.EN6	159,50	100
12	22.825.001.EN6	42.825.001.EN6	171,00	90

General Information

Pitch	14,5 mm
No. of poles	1 - 12
Areas of application	For lighting applications and similar electrical equipment.




Technical Data

Clamping Range	<i>solid / flexible / AWG</i>		
<i>without wire protector</i>	4 - 16 mm ² / 4 - 16 mm ² / 12 - 4 AWG		
<i>with wire protector</i>	4 - 16 mm ² / 4 - 10 mm ² / 12 - 6 AWG		
Rated Cross Section	16 mm ² [1]		
Wire Stripping Length	9 mm ± 1 mm		
Overvoltage Category	III	III	II
Pollution Severity Level	3	2	2
Rated Voltage	500 V	630 V	1000 V
Rated Impulse Voltage	6 kV	6 kV	6 kV
Rated Insulation Voltage	750 V acc. to EN 60998-1		
Rated Current	76 A		
Torque	2 Nm		

Material

Moulding	PA, white, V-0
Comparative Tracking Index	CTI ≥ 600
Insulating Group	I
Temperature Range	-40°C up to 100°C
Terminal Body	Nickel plated brass
Screw	M5; zinc plated steel, blue passivated
Wire protector	Stainless steel strip

Approvals

	Current [A]	Voltage [V]	Group	AWG	[Nm]
	80	300	B,C	14 - 4	1,8 [2]
	80	300	B	14 - 6	1,8
	80	150	C	14 - 6	1,8
	10	300	D,E	14 - 6	1,8
	Current [A]	Voltage [V]	[mm ²]		
	76	750	16		

Options / Accessories

- Marking options on and between the screw guides
- Marking strips BST-327
- Jumper 327-J
- Version with raised base: please see 327-FU

[1] multi-wire

[2] for 327-HDS 14 - 6 AWG, 65 A

X-ON Electronics

Largest Supplier of Electrical and Electronic Components

Click to view similar products for [Barrier Terminal Blocks](#) category:

Click to view products by [Weco](#) manufacturer:

Other Similar products are found below :

[CR151D20104](#) [670A-RZ-15-KT20](#) [6C1N03](#) [6PCR-02](#) [6PCR-02-008](#) [6PCR-05-008](#) [6PCR-08-008](#) [6PCR-09-008](#) [6PCR-13-006](#) [6PCR-15-006](#) [6PCV-06-008](#) [6PCV-06-716](#) [6PCV-09-001](#) [6PCV-15-008](#) [6PCV-17-1206](#) [6PCV-20-323](#) [6STR-06-006](#) [6STR-08-006](#) [6STR-12-008](#) [6STR-13-006](#) [6STR-14-008](#) [6STR-16-008](#) [6STR-17-008](#) [6STR-21-008](#) [6STR-25-008](#) [6STR-27-008](#) [6STV-03-008](#) [6STV-09-006](#) [6STV-10-006](#) [6WWV-11-008](#) [6WWV-12-008](#) [6WWV-16-008](#) [71502-50](#) [71507-47-50](#) [72504-C-50](#) [72506-C](#) [72507-C-50](#) [72508-56](#) [73203](#) [75505-C-50](#) [812-GP-3/4ST-09](#) [812-GPZ-03PSB](#) [8-1437402-5](#) [8-1437402-7](#) [8PCR-06-006](#) [8PCR-11-006](#) [8PCV-04-001](#) [8PCV-05-008](#) [8PCV-09-006](#) [8PCV-15-006](#)