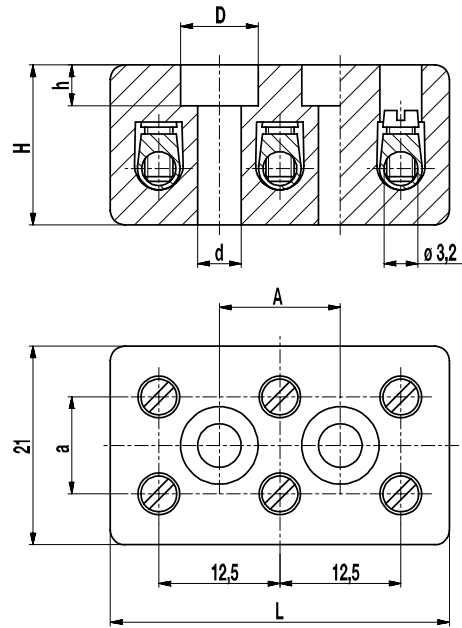


# 4002-B / 4003-B

Socket terminal blocks  
with mounting holes



**Dimensions (mm)**

Type	L	H	A	a	h	D	d
4002-B	24	16,5	—	9	4,5	ø 7,5	ø 4,5
4003-B	36	16	12,5	10	4,2	ø 8	ø 4,3

**GENERAL INFORMATION**

No. of poles 2 + 3

**TECHNICAL DATA**

Clamping Range	<i>solid / stranded / AWG</i> 0,75 - 6 mm <sup>2</sup> / 0,25 - 2,5 mm <sup>2</sup> / 24 - 14 AWG [1]
Rated Cross Section	2,5 mm <sup>2</sup>
Wire Stripping Length	6 mm ± 0,5 mm
Rated Insulation Voltage	450 V acc. to EN 60998-1
Torque	0,5 Nm
Base mounting	Recommendation: Screw M4 with matching washer; max. torque 1.5 Nm; use of an elastic & insulating substrate.
Other specifications	Terminal blocks must not be strung together without considering the clearance and creepage distances.

**MATERIAL**

Moulding	Technical ceramics
Comparative Tracking Index	CTI ≥ 600
Insulating Group	I
Temperature Range	-40°C up to 250°C
Terminal body	Nickel plated brass
Screw	M3; Zinc plated steel, blue passivated

[1] The clamping range for flexible and AWG conductors was determined using ferrules. Use of flexible conductors without ferrules is not recommended.

**CONFIGURATIONS**

Item	Article number	PU
4002-B	10.610.006	160
4003-B	10.610.007	126

## X-ON Electronics

Largest Supplier of Electrical and Electronic Components

*Click to view similar products for [Weco manufacturer](#):*

Other Similar products are found below :

[327-FU-HDS/10](#) [323-FU-16.5-HDS/12](#) [327-FU-HDS/05](#) [3070-PCM/03-033](#) [210-A-SMD/02](#) [4005-A](#) [307-PCM/06-033](#) [307-PCF/02](#) [110-M-211-SMD/03-MAG](#) [140-A-111/03](#) [121-M-211/04](#) [110-M-211-SMD/04-MAG](#) [140-A-126-SMD/02](#) [327-HDS/12](#) [971-SLR-THR-1.3/06](#) [110-M-211-SMD/02-MAG](#) [980-W/07](#) [980-S/07](#) [3-DIN-46284-ST-OHNE-VDE](#) [120-D-111/08](#) [950-D-SMD-DS/06](#) [876-DR/08](#) [110-M-111/05](#) [120-M-221/06](#) [874-DR/02](#) [150-C-111/03](#) [324-FU-HDS/06](#) [17-MUB](#) [830-A-111-SMD/02-MAG](#) [977-OPSG-DS/05](#) [950-FL-DS/06](#) [140-A-SMD/03](#) [308-PA/03-402](#) [140-A-126-SMD/04-MAG](#) [302-NSTB-DS/02](#) [3070-PCM/06-033](#) [158-A-111/03](#) [302-N-HDS/12](#) [210-A-126-SMD/04-MAG](#) [932-DS/05](#) [982-D/09](#) [324-FU-HDS/12](#) [326-HDS/12](#) [327-HDS/05](#) [327-FU-HDS/12](#) [122-D-121/08-BNA](#) [122-D-121/06-BNA](#) [974-T-DS/02](#) [339-KF](#) [4010-B](#)