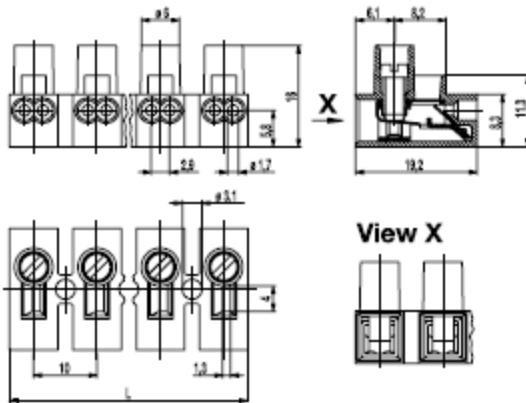


## Screw/plug-in terminal strip 820(-DS)

Screw/screwless connection



The terminal strip 820 with pitch 10 mm has a dual wire terminal connector on one side. Here, the leads are inserted and clamped all the way to the stop. These terminal strips are designed for solid conductors.

The opposite side is equipped with screw connections with rectangular clamping spaces. The screws are ready to be wired, secured against self-loosening and captive.

The wire protector of the "DS"-version reliably prevents damage to multi-wire flexible conductors by the turning screw.

These terminal strips can be screw-mounted on a substrate.

Note: For the version without wire protector, flexible wires can only be connected with a ferrule.

### Part Numbers

No. of poles	820	820-DS	Length	PU
1	11.815.202	31.815.202	8,50	4000
2	12.815.202	32.815.202	18,50	2000
3	13.815.202	33.815.202	28,50	1000
4	14.815.202	34.815.202	38,50	800
5	15.815.202	35.815.202	48,50	500
6	16.815.202	36.815.202	58,50	200
7	17.815.202	37.815.202	68,50	200
8	18.815.202	38.815.202	78,50	100
9	19.815.202	39.815.202	88,50	100
10	20.815.202	40.815.202	98,50	50
11	21.815.202	41.815.202	108,50	50
12	22.815.202	42.815.202	117,50	50

### Part Numbers: "no flame" acc. to glow-wire test

No. of poles	820	820-DS	Length	PU
2		32.815.202.EN6	18,50	2000
3		33.815.202.EN6	28,50	1000
4		34.815.202.EN6	38,50	800
6		36.815.202.EN6	58,50	200
7		37.815.202.EN6	68,50	200
8		38.815.202.EN6	78,50	100
12		42.815.202.EN6	117,50	50

further number of poles on request

### General Information

Pitch	10 mm
No. of poles	1 - 12
Areas of application	Terminal for the quick connection of solid wires.




### Technical Data

Clamping Range	solid / flexible / AWG		
	0,75 - 1,5 mm <sup>2</sup> / --- / 18 - 16 AWG [1]		
without wire protector	0,75 - 6 mm <sup>2</sup> / 0,75 - 2,5 mm <sup>2</sup> / 18 - 12 AWG [2]		
with wire protector	0,75 - 6 mm <sup>2</sup> / 0,75 - 2,5 mm <sup>2</sup> / 18 - 12 AWG [2]		
Rated Cross Section	[1] 1,5 mm <sup>2</sup> / [2] 2,5 mm <sup>2</sup>		
Wire Stripping Length	7 mm ± 0,5 mm		
Overtoltage Category	3	2	2
Pollution Severity Level	III	III	II
Rated Voltage	320 V	320 V	630 V
Rated Impulse Voltage	4 kV	4 kV	4 kV
Rated Insulation Voltage	450 V acc. to EN 60998-1		
Rated Current	[1] 17,5 A / [2] 24 A		
Torque	0,8 Nm		

### Material

Moulding	PA, natural, V-2 (PA, natural, V-0) Details in brackets for "no flame" products
Comparative Tracking Index	CTI ≥ 600
Insulating Group	I
Temperature Range	-40°C up to 100°C
Terminal Body	Tin plated brass
Screw	M3,5; zinc plated steel, blue passivated
Wire protector	Stainless steel strip
Spring	Stainless steel strip

### Approvals

	Current	Voltage	Group	AWG	Nm
	10	300	B	16-10 [3]	0,51
	10	150	C	16-10 [3]	0,51
	10	300	B,D	20-10 [3]	0,51
	10	150	C	20-10 [3]	0,51
	Current	Voltage	mm <sup>2</sup>		
	24	450	2,5/1,5		

### Options / Accessories

- Consecutive numbering
- Special marking according to drawing
- Self-adhesive marking strip BST-10,00
- Version with dovetail base (type 821)

[1] Plug connector

[2] Screw connector

[3] spring side 18 - 16 solid

## X-ON Electronics

Largest Supplier of Electrical and Electronic Components

*Click to view similar products for [Pluggable Terminal Blocks](#) category:*

*Click to view products by [Weco](#) manufacturer:*

Other Similar products are found below :

[57.510.0053](#) [721-104/026-047](#) [721-204/026-045](#) [MC 1.5/ 6-ST-3.5 GY AU](#) [ET02015000J0G](#) [860505](#) [860516](#) [860810](#) [GBPACX-12](#)  
[93.731.4953.0](#) [PVP03-3,50](#) [PVS02-5,00](#) [1-1986160-3](#) [1377680000](#) [1531000000](#) [1546228-5](#) [ELFP03110](#) [ELFP10210](#) [ELFT07250](#)  
[ELVD12100](#) [ELVF09400](#) [ELXH071G0E](#) [1725220000](#) [1760336](#) [1855000000](#) [19346](#) [1946309](#) [1973592](#) [19892](#) [25.320.4053.1](#) [25.320.4553.9](#)  
[25.320.4753.1](#) [25.320.5453.1](#) [25.340.0353.1](#) [25.340.1053.1](#) [25.345.3553.0M001](#) [25.640.3553.1](#) [SH02-5,08](#) [SH06-3,81](#) [SH08-5,08](#) [SH08-](#)  
[5,08-K](#) [SH12-5,08](#) [SHS04-5,00](#) [30.303](#) [30.305](#) [30.306](#) [PHP09-5,08](#) [25.193.0453.0](#) [25.320.4653.1](#) [25.332.2453.1](#)