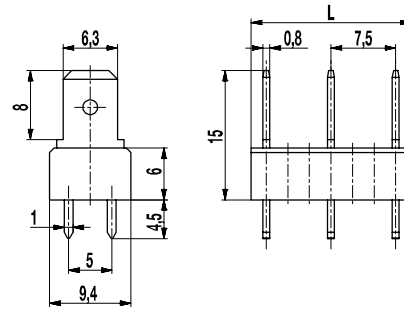
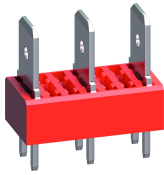


900-SUN-7,5

Tab connector
Tab 6,3 mm



GENERAL INFORMATION

Pitch	7,5 mm
No. of poles	2 - 17

TECHNICAL DATA

Overvoltage Category	III	III	II
Pollution Severity Level	3	2	2
Rated Voltage	500 V	630 V	1000 V
Rated Impulse Voltage	6 kV	6 kV	6 kV
Rated Insulation Voltage	750 V acc. to EN 60998-1		
Rated Current	15 A: with receptacles 6,3; wire 2,5 mm ² (14 AWG)		
Hole in PCB	ø 1,6 mm		
Other specifications	Indicated rated voltages refer to applications with insulation receptacles		

APPROVALS

	Current [A]	Voltage [V]	Group	AWG	[Nm]
	15	300	B		
	15	150	C		
	15	300	B		
	10	300	D, E		

MATERIAL

Moulding	PA, red, V-0
Comparative Tracking Index	CTI ≥ 600
Insulating Group	I
Temperature Range	-40°C up to 100°C
Solder pin	1,0 x 0,8 mm; tin plated brass
Tab	6,3 x 0,8 mm; tin plated brass

OPTIONS / ACCESSORIES

- Consecutive numbering
- Special marking according to drawing
- Self-adhesive marking strip BST-7,50
- Insulation receptacles ISO
- Insulation sockets ISO-900
- Change of pitch
- Component mix of tab connector versions
- Tab connectors are also individually available (see single tabs GST-900)

CONFIGURATIONS

Poles	Part number	Article number	Length (L)	Packaging	PU
2	900-SUN-7,5/02	47.870.903	11,00 mm	Box	250
3	900-SUN-7,5/03	47.870.904	18,50 mm	Box	200
4	900-SUN-7,5/04	47.870.906	26,00 mm	Box	100
5	900-SUN-7,5/05	47.870.907	33,50 mm	Box	100
6	900-SUN-7,5/06	47.870.909	41,00 mm	Box	100



X-ON Electronics

Largest Supplier of Electrical and Electronic Components

Click to view similar products for [Terminals](#) category:

Click to view products by [Weco](#) manufacturer:

Other Similar products are found below :

[00-054007-01074-6](#) [00-054007-70206-1](#) [00-054007-70210-8](#) [00-054007-70217-7](#) [00-054007-70228-3](#) [00-054007-70256-6](#) [00-054007-70316-7](#) [00-054007-49560-4](#) [00-054007-70209-2](#) [00-054007-70231-3](#) [00-054007-70241-2](#) [00-054007-70242-9](#) [00-054007-70246-7](#) [00-054007-70263-4](#) [00-054007-70288-7](#) [00-054007-70290-0](#) [00-054007-70300-6](#) [00-054007-70304-4](#) [01-2900-1-04412](#) [600TS-10](#) [605601-1](#) [60617-1-C](#) [61314-6-C](#) [61810-3](#) [626-0194](#) [63-S](#) [M55155/079C01](#) [M55155/099B03](#) [M55155/109H01](#) [M55155/29XJ08](#) [M55155/30-6S](#) [M55155/30-9S](#) [M55155/30XI09](#) [M6-14RSX](#) [696683-1](#) [696861-1](#) [696999-1](#) [D18-110B-C](#) [D18-110B-M](#) [701-1936](#) [701-1955](#) [701-2003](#) [701-2007](#) [701-2013](#) [701-2018](#) [701-2069](#) [701-2077-60](#) [701-2315](#) [701-2430](#) [701-2480](#)