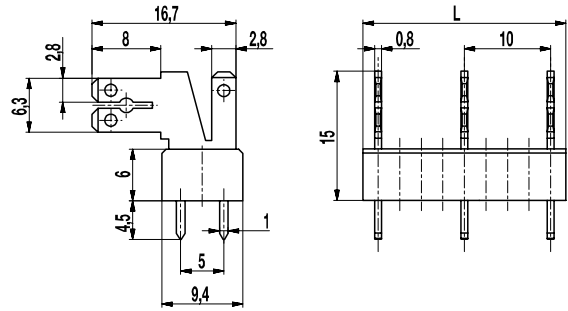
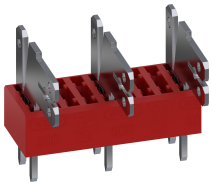


# 900-W-10

Tab connector  
 Tabs with 90° angle



## GENERAL INFORMATION

|              |        |
|--------------|--------|
| Pitch        | 10 mm  |
| No. of poles | 2 - 13 |

## TECHNICAL DATA

|                          |   |       |        |
|--------------------------|---|-------|--------|
| Overvoltage Category     | III   | III   | II     |
| Pollution Severity Level | 3   | 2     | 2      |
| Rated Voltage            | 630 V   | 630 V | 1000 V |
| Rated Impulse Voltage    | 6 kV  | 6 kV  | 6 kV   |
| Rated Insulation Voltage | 750 V acc. to EN 60998-1  |       |        |
| Rated Current            | 7,5 A: with receptacles 2,8; wire 1 mm <sup>2</sup> (16 AWG)<br>15 A: with receptacles 6,3; wire 2,5 mm <sup>2</sup> (14 AWG) |       |        |
| Hole in PCB              | ø 1,6 mm  |       |        |
| Other specifications     | Indicated rated voltages refer to applications with insulation receptacles  |       |        |

## APPROVALS

|  | Current [A] | Voltage [V] | Group | AWG | [Nm] |
|--|-------------|-------------|-------|-----|------|
|  | 15          | 300         | B     |     |      |
|  | 15          | 150         | C     |     |      |
|  | 15          | 300         | B     |     |      |
|  | 10          | 300         | D, E  |     |      |

## MATERIAL

|                            |  |
|----------------------------|--|
| Moulding                   | PA, red, V-0                                 |
| Comparative Tracking Index | CTI ≥ 600                                    |
| Insulating Group           | I  |
| Temperature Range          | -40°C up to 100°C                            |
| Solder pin                 | 1,0 x 0,8 mm; tin plated brass               |
| Tab                        | 2,8 x 0,8 mm; 6,3 x 0,8 mm; tin plated brass |

## OPTIONS / ACCESSORIES

- Consecutive numbering
- Special marking according to drawing
- Self-adhesive marking strip BST-10,00
- Insulation receptacles ISO
- Change of pitch
- Component mix of tab connector versions
- Tab connectors are also individually available (see single tabs GST-900)

## CONFIGURATIONS

| Poles | Item        | Article number | Length (L) | Packaging | PU  |
|-------|-------------|----------------|------------|-----------|-----|
| 2     | 900-W-10/02 | 30.870.903     | 13,50 mm   | Box       | 250 |
| 3     | 900-W-10/03 | 30.870.905     | 23,50 mm   | Box       | 100 |
| 4     | 900-W-10/04 | 30.870.907     | 33,50 mm   | Box       | 100 |
| 5     | 900-W-10/05 | 30.870.909     | 43,50 mm   | Box       | 100 |
| 6     | 900-W-10/06 | 30.870.911     | 53,50 mm   | Box       | 100 |
| 7     | 900-W-10/07 | 30.870.913     | 63,50 mm   | Box       | 100 |
| 8     | 900-W-10/08 | 30.870.915     | 73,50 mm   | Box       | 50  |
| 9     | 900-W-10/09 | 30.870.917     | 83,50 mm   | Box       | 50  |
| 10    | 900-W-10/10 | 30.870.919     | 93,50 mm   | Box       | 50  |
| 11    | 900-W-10/11 | 30.870.921     | 103,50 mm  | Box       | 50  |
| 12    | 900-W-10/12 | 30.870.923     | 113,50 mm  | Box       | 50  |

further number of poles on request



## X-ON Electronics

Largest Supplier of Electrical and Electronic Components

*Click to view similar products for [Terminals](#) category:*

*Click to view products by [Weco](#) manufacturer:*

Other Similar products are found below :

[00-054007-01074-6](#) [00-054007-70206-1](#) [00-054007-70210-8](#) [00-054007-70217-7](#) [00-054007-70228-3](#) [00-054007-70256-6](#) [00-054007-70316-7](#) [00-054007-49560-4](#) [00-054007-70209-2](#) [00-054007-70231-3](#) [00-054007-70241-2](#) [00-054007-70242-9](#) [00-054007-70246-7](#) [00-054007-70263-4](#) [00-054007-70288-7](#) [00-054007-70290-0](#) [00-054007-70300-6](#) [00-054007-70304-4](#) [01-2900-1-04412](#) [600TS-10](#) [605601-1](#) [60617-1-C](#) [61314-6-C](#) [61810-3](#) [626-0194](#) [63-S](#) [M55155/079C01](#) [M55155/099B03](#) [M55155/109H01](#) [M55155/29XJ08](#) [M55155/30-6S](#) [M55155/30-9S](#) [M55155/30XI09](#) [M6-14RSX](#) [696683-1](#) [696861-1](#) [696999-1](#) [M86700006](#) [D18-110B-C](#) [D18-110B-M](#) [701-1936](#) [701-1955](#) [701-2003](#) [701-2007](#) [701-2013](#) [701-2018](#) [701-2069](#) [701-2077-60](#) [701-2315](#) [701-2430](#)