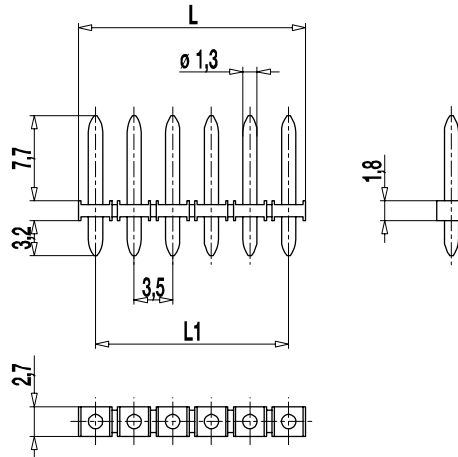


# 931-SLR-THR-1,3

Pin strip for THR  
Soldering/plug-in area  $\varnothing$  1,3 mm



$L1 = (\text{No. of poles} - 1) \times \text{pitch}$

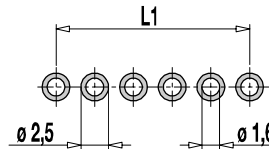
## GENERAL INFORMATION

Pitch	3,5 mm
No. of poles	2 - 16
Usable with	plug connector 938-FLDS
Additional Information	Also, please take into consideration the pin strips 931-SLR-SMD-1,3 in genuine surface mount technology.

## TECHNICAL DATA

Overvoltage Category	III	III	II
Pollution Severity Level	3	2	2
Rated Voltage	160 V	160 V	320 V
Rated Impulse Voltage	2,5 kV	2,5 kV	2,5 kV
Rated Insulation Voltage	130 V acc. to EN 60998-1		
Rated Current	6 A		
Soldering process	Wave solder & reflow solder		
Hole in PCB	$\varnothing$ 1,6 mm		
PCB thickness	Wave solder max. 1,6 mm; reflow solder 1,6 - 3,2 mm		

## PCB LAYOUT



Solder paste thickness: 0,15 - 0,2 mm  
Solder pad diameter:  $\varnothing$  2,5 mm

## APPROVALS

	Current [A]	Voltage [V]	Group	AWG	[Nm]
	6	150	B		
	6	300	D		
	6	150	B		
	6	300	D		

## MATERIAL

Moulding	PA HT, black, V-0
Comparative Tracking Index	CTI $\geq$ 600
Insulating Group	I
Temperature Range	-40°C up to 120°C; reflow solder temperature peak max. 255°C acc. to DIN EN 61760-1
Solder pin	$\varnothing$ 1,3 mm; tin plated brass

## OPTIONS / ACCESSORIES

- Other plug pin lengths on request
- Other solder pin surfaces on request

## CONFIGURATIONS

Poles	Part number	Article number	Length (L)	Packaging	PU	Tape Width	Tape Height
2	931-SLR-THR-1,3/02	12.893.726	6,50 mm	Box	1000		
3	931-SLR-THR-1,3/03	13.893.726	10,00 mm	Box	1000		
4	931-SLR-THR-1,3/04	14.893.726	13,50 mm	Box	500		
5	931-SLR-THR-1,3/05	15.893.726	17,00 mm	Box	500		
6	931-SLR-THR-1,3/06	16.893.726	20,50 mm	Box	500		
2	931-SLR-THR-1,3/02-T&R	12.893.726.A00	6,50 mm	Tape-on-Reel	500	24 mm	14,8 mm
3	931-SLR-THR-1,3/03-T&R	13.893.726.A00	10,00 mm	Tape-on-Reel	500	32 mm	14,6 mm
4	931-SLR-THR-1,3/04-T&R	14.893.726.A00	13,50 mm	Tape-on-Reel	500	32 mm	14,6 mm
5	931-SLR-THR-1,3/05-T&R	15.893.726.A00	17,00 mm	Tape-on-Reel	500	32 mm	14,6 mm
6	931-SLR-THR-1,3/06-T&R	16.893.726.A00	20,50 mm	Tape-on-Reel	500	56 mm	14,6 mm

further number of poles on request



## X-ON Electronics

Largest Supplier of Electrical and Electronic Components

*Click to view similar products for [Headers & Wire Housings](#) category:*

*Click to view products by [Weco](#) manufacturer:*

Other Similar products are found below :

[0015917161](#) [0022155065](#) [57102-F02-18ULF](#) [58102-G61-06LF](#) [582553-1](#) [01.001.5753.1](#) [0050291907](#) [02.125.8002.8](#) [609-3404](#) [61062-3](#)  
[CSU011177004](#) [622-0430](#) [622-3653LF](#) [63453-116](#) [636-1030](#) [636-1427](#) [636-3427](#) [636-4007](#) [641938-9](#) [65495-038](#) [65692-001LF](#) [65781-018](#)  
[65781-047](#) [65817-010LF](#) [65817-015LF](#) [67095-007LF](#) [67601157](#) [68631-112](#) [699319-000](#) [70.362.1628.0](#) [70-4210](#) [70-4226B](#) [70-4853B](#) [707-](#)  
[5028](#) [71.350.2428.0](#) [733-134](#) [733-162](#) [760-3052](#) [MHR-64-VUAL](#) [80.063.4001.1](#) [800-90-001-10-001000](#) [801-43-002-10-013000](#)  
[801-43-006-10-002000](#) [803-43-024-10-001000](#) [803-93-012-10-001000](#) [8-1437020-4](#) [819-22-004-30-001101](#) [820-22-006-30-001101](#)  
[820-22-008-30-001101](#) [821-22-002-10-001101](#)