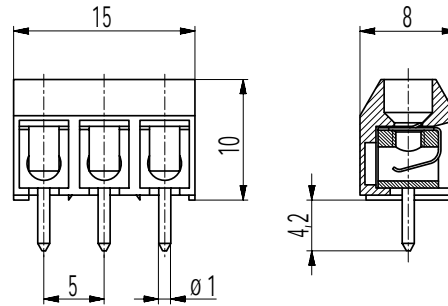


950-FB

Socket terminal strip
Plug connection



GENERAL INFORMATION

Pitch	5 mm
No. of poles	2 - 32
Usable with	plug connector 951-SV

TECHNICAL DATA

Overvoltage Category	III	III	II
Pollution Severity Level	3	2	2
Rated Voltage	160 V	160 V	320 V
Rated Impulse Voltage	2,5 kV	2,5 kV	2,5 kV
Rated Current	6 A		
Hole in PCB	ø 1,3 mm		
Other specifications	2-8 poles types are "no-flame" acc. to glow-wire test		

APPROVALS

	Current [A]	Voltage [V]	Group	AWG	[Nm]
	7	300	B		
	7	300	B		
	Current [A]	Voltage [V]	mm ²		
	13,5	160 [1]			

MATERIAL

Moulding	PA, grey, V-0
Comparative Tracking Index	2-8 poles: CTI ≥ 600; 9-32 poles: CTI 400
Insulating Group	2-8 poles: I; 9-32 poles: II
Temperature Range	-40°C up to 100°C
Terminal body	Tin plated brass
Solder pin	ø 1 mm; tin plated copper alloy
Spring	Stainless strip steel

OPTIONS / ACCESSORIES

- Consecutive numbering
- Special marking according to drawing
- Self-adhesive marking strip BST-5,00
- Pitch of 10 mm for larger clearance and creepage distances
- Longer solder pins up to 75 mm
- Version with lateral latching elements

[1] Acc. to IEC 60947-7-4 und IEC 60947-1

CONFIGURATIONS

Poles	Part number	Article number	Length (L)	Packaging	PU
2	950-FB/02	80.871.006	10,00 mm	Box	250
3	950-FB/03	80.871.053	15,00 mm	Box	250
4	950-FB/04	80.871.054	20,00 mm	Box	100
5	950-FB/05	80.871.055	25,00 mm	Box	100
6	950-FB/06	80.871.056	30,00 mm	Box	100

further number of poles on request



X-ON Electronics

Largest Supplier of Electrical and Electronic Components

Click to view similar products for [Weco manufacturer](#):

Other Similar products are found below :

[327-FU-HDS/10](#) [323-FU-16.5-HDS/12](#) [327-FU-HDS/05](#) [3070-PCM/03-033](#) [210-A-SMD/02](#) [4005-A](#) [307-PCM/06-033](#) [307-PCF/02](#) [110-M-211-SMD/03-MAG](#) [140-A-111/03](#) [121-M-211/04](#) [110-M-211-SMD/04-MAG](#) [140-A-126-SMD/02](#) [327-HDS/12](#) [971-SLR-THR-1.3/06](#) [110-M-211-SMD/02-MAG](#) [980-W/07](#) [980-S/07](#) [3-DIN-46284-ST-OHNE-VDE](#) [120-D-111/08](#) [950-D-SMD-DS/06](#) [876-DR/08](#) [110-M-111/05](#) [120-M-221/06](#) [874-DR/02](#) [150-C-111/03](#) [324-FU-HDS/06](#) [17-MUB](#) [830-A-111-SMD/02-MAG](#) [977-OPSG-DS/05](#) [950-FL-DS/06](#) [140-A-SMD/03](#) [308-PA/03-402](#) [140-A-126-SMD/04-MAG](#) [302-NSTB-DS/02](#) [820-DS/12](#) [3070-PCM/06-033](#) [158-A-111/03](#) [302-N-HDS/12](#) [210-A-126-SMD/04-MAG](#) [932-DS/05](#) [982-D/09](#) [324-FU-HDS/12](#) [326-HDS/12](#) [327-HDS/05](#) [327-FU-HDS/12](#) [122-D-121/08-BNA](#) [122-D-121/06-BNA](#) [974-T-DS/02](#) [339-KF](#)