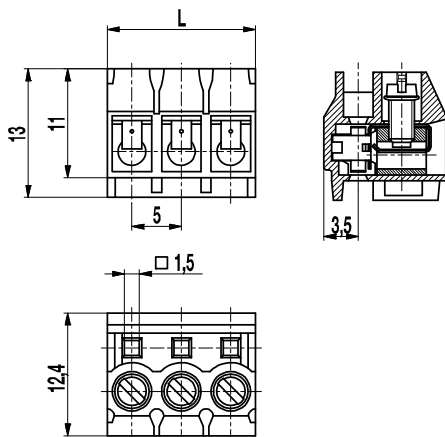


Plug connector

950-FL-DS

Screw connection



The plug connector 950-FL-DS is designed to be joined with pin strips of the series 971 from either the top or the bottom side. Through the use of oversized pins (available upon request) a parallel connection can be made with stacked connectors.

Among other things these plug connector, which produced with a nominal centre to centre spacing can be placed adjacently on pin strips without pole loss.

The use of these components provides also a number of other advantages such as ease of isolation for service, the decentralized production of components or the ease of connection in confined space.

Part Numbers

No. of poles	950-FL-DS	Length	Pcs
2	20.871.732	10,00	250
3	20.871.733	15,00	250
4	20.871.734	20,00	250
5	20.871.735	25,00	100
6	20.871.736	30,00	100
7	20.871.737	35,00	100
8	20.871.738	40,00	100
9	20.871.739	45,00	100
10	20.871.740	50,00	50
11	20.871.741	55,00	50
12	20.871.742	60,00	50
13	20.871.743	65,00	50
14	20.871.744	70,00	50
15	20.871.745	75,00	50
16	20.871.746	80,00	50
17	20.871.747	85,00	50
18	20.871.748	90,00	50
19	20.871.749	95,00	25
20	20.871.750	100,00	25
21	20.871.751	105,00	25
22	20.871.752	110,00	25
23	20.871.753	115,00	25
24	20.871.754	120,00	25

General Information

Pitch	5 mm
No. of poles	2 - 24
Usable with	pin strips of series 971

Technical Data

Clamping Range	<i>solid / flexible / AWG</i> 0,34 - 2,5 mm ² / 0,34 - 1,5 mm ² / 22 - 14 AWG		
Rated Cross Section	1,5 mm ²		
Wire Stripping Length	6 mm ± 0,5 mm		
Overvoltage Category	III	III	II
Pollution Severity Level	3	2	2
Rated Voltage	320 V	320 V	630 V
Rated Impulse Voltage	4 kV	4 kV	4 kV
Rated Insulation Voltage	250 V acc. to EN 60998-1		
Rated Current	6 A		
Torque	0,4 Nm		
Other specifications	2-12 poles types are "no-flame" acc. to glow-wire test.		

Material

Moulding	PA, grey, V-0
Comparative Tracking Index	2-12 poles: CTI ≥ 600; 13-24 poles: CTI 400
Insulating Group	2-12 poles: I; 13-24 poles: II
Temperature Range	-40°C up to 100°C
Terminal body	Nickel plated brass
Screw	M2,6; zinc plated steel, blue passivated
Wire protector	Tin plated tin bronze
Spring	Tin plated tin bronze

Approvals

	Current	Voltage	Group	AWG	Nm
	10	300	B	26 - 14	0,4
	10	300	B	26 - 14	0,4

Options / Accessories

- Consecutive numbering
- Special marking according to drawing
- Self-adhesive marking strip BST-5,00
- Pitch of 10 mm for larger clearance and creepage distances

X-ON Electronics

Largest Supplier of Electrical and Electronic Components

Click to view similar products for [Weco manufacturer](#):

Other Similar products are found below :

[110-A-111/02](#) [110-A-111/03](#) [110-A-111/04](#) [110-A-111/05](#) [110-A-111/06](#) [110-A-111/08-BA](#) [110-M-111/02](#) [110-M-111/05](#) [110-M-111/06](#)
[110-M-121/02](#) [110-M-121/06](#) [110-M-211/02](#) [110-M-211/03](#) [110-M-211/04](#) [110-M-211/05](#) [110-M-211/06](#) [110-M-211-SMD/02-MAG](#) [110-M-211-SMD/03-MAG](#) [110-M-211-SMD/04-MAG](#) [110-M-221/02](#) [110-M-221/03](#) [110-M-221/04](#) [110-M-221/05](#) [110-M-221/06](#) [110-P-111/16](#)
[120-A-111/02-K](#) [120-A-111/03](#) [120-A-111/04](#) [120-A-111/05](#) [120-A-111/06](#) [120-A-111/10-333](#) [120-A-111/12](#) [120-D-111/08](#) [120-D-121/06](#)
[120-M-211/02](#) [120-M-211/02-K](#) [120-M-211/03](#) [120-M-221/02](#) [120-M-221/03](#) [120-M-221/04](#) [120-M-221/06](#) [120-M-222/06](#) [120-M-222/10](#)
[121-A-111/02](#) [121-A-111/03](#) [121-A-111/04](#) [121-A-111/05](#) [121-A-111/06](#) [121-D-121/05](#) [121-M-111 /02](#)