

# 950-NLFL-DS

Plug connector  
Screw connection, with locking foot



## GENERAL INFORMATION

|              |                          |
|--------------|--------------------------|
| Pitch        | 5 mm                     |
| No. of poles | 2 - 12                   |
| Usable with  | pin strips of series 971 |

## TECHNICAL DATA

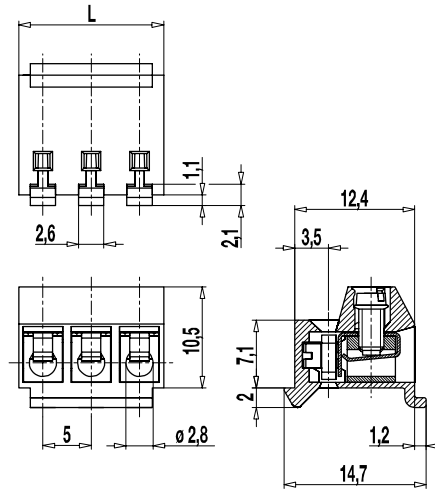
|                          |  |       |       |
|--------------------------|--|-------|-------|
| Clamping Range           | <i>solid / stranded / AWG</i><br>0,34 - 2,5 mm <sup>2</sup> / 0,34 - 1,5 mm <sup>2</sup> / 22 - 14 AWG |       |       |
| Rated Cross Section      | 1,5 mm <sup>2</sup>  |       |       |
| Wire Stripping Length    | 6 mm ± 0,5 mm  |       |       |
| Overvoltage Category     | III  | III   | II    |
| Pollution Severity Level | 3  | 2     | 2     |
| Rated Voltage            | 320 V  | 320 V | 630 V |
| Rated Impulse Voltage    | 4 kV   | 4 kV  | 4 kV  |
| Rated Insulation Voltage | 250 V acc. to EN 60998-1   |       |       |
| Rated Current            | 6 A  |       |       |
| Torque                   | 0,4 Nm   |       |       |
| Other specifications     | By use with pins LST-1,3: III-3-160V-2,5 kV  |       |       |

## APPROVALS

|  | Current [A] | Voltage [V] | Group | AWG     | [Nm] |
|--|-------------|-------------|-------|---------|------|
|  | 10          | 300         | B     | 26 - 14 | 0,4  |
|  | 10          | 300         | B     | 26 - 14 | 0,4  |

## CONFIGURATIONS

| Poles | Part number    | Article number | Length (L) | Packaging | PU  |
|-------|----------------|----------------|------------|-----------|-----|
| 2     | 950-NLFL-DS/02 | 20.871.772     | 10,00 mm   | Box       | 250 |
| 3     | 950-NLFL-DS/03 | 20.871.773     | 15,00 mm   | Box       | 250 |
| 4     | 950-NLFL-DS/04 | 20.871.774     | 20,00 mm   | Box       | 100 |
| 5     | 950-NLFL-DS/05 | 20.871.775     | 25,00 mm   | Box       | 100 |
| 6     | 950-NLFL-DS/06 | 20.871.776     | 30,00 mm   | Box       | 100 |



## MATERIAL

|                            |  |
|----------------------------|--|
| Moulding                   | PA, black, V-0                           |
| Comparative Tracking Index | CTI ≥ 600                                |
| Insulating Group           | I  |
| Temperature Range          | -40°C up to 100°C                        |
| Terminal body              | Nickel plated brass                      |
| Screw                      | M2,6; zinc plated steel, blue passivated |
| Wire protector             | Tin plated tin bronze                    |
| Spring                     | Tin plated tin bronze                    |

## OPTIONS / ACCESSORIES

- Consecutive numbering
- Special marking according to drawing
- Self-adhesive marking strip BST-5,00
- Pitch of 10 mm for larger clearance and creepage distances



## X-ON Electronics

Largest Supplier of Electrical and Electronic Components

*Click to view similar products for [Weco manufacturer](#):*

Other Similar products are found below :

[327-FU-HDS/10](#) [323-FU-16.5-HDS/12](#) [327-FU-HDS/05](#) [3070-PCM/03-033](#) [210-A-SMD/02](#) [4005-A](#) [307-PCM/06-033](#) [307-PCF/02](#) [110-M-211-SMD/03-MAG](#) [140-A-111/03](#) [121-M-211/04](#) [110-M-211-SMD/04-MAG](#) [140-A-126-SMD/02](#) [327-HDS/12](#) [971-SLR-THR-1.3/06](#) [110-M-211-SMD/02-MAG](#) [980-W/07](#) [980-S/07](#) [3-DIN-46284-ST-OHNE-VDE](#) [120-D-111/08](#) [950-D-SMD-DS/06](#) [876-DR/08](#) [110-M-111/05](#) [120-M-221/06](#) [874-DR/02](#) [150-C-111/03](#) [324-FU-HDS/06](#) [17-MUB](#) [830-A-111-SMD/02-MAG](#) [977-OPSG-DS/05](#) [950-FL-DS/06](#) [140-A-SMD/03](#) [308-PA/03-402](#) [140-A-126-SMD/04-MAG](#) [302-NSTB-DS/02](#) [3070-PCM/06-033](#) [158-A-111/03](#) [302-N-HDS/12](#) [210-A-126-SMD/04-MAG](#) [932-DS/05](#) [982-D/09](#) [324-FU-HDS/12](#) [326-HDS/12](#) [327-HDS/05](#) [327-FU-HDS/12](#) [122-D-121/08-BNA](#) [122-D-121/06-BNA](#) [974-T-DS/02](#) [339-KF](#) [4010-B](#)