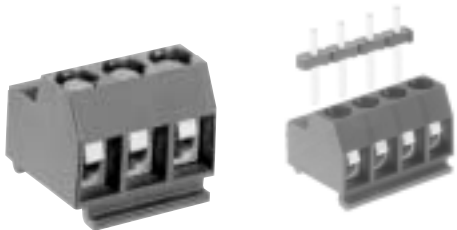


Series 95-FL

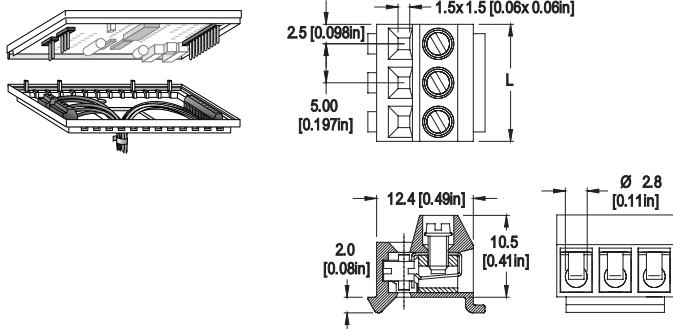
Type 950-NLFL-DS

5 mm spacing • 2 to 12 poles



950-NLFL-DS

One possible variation of assembly

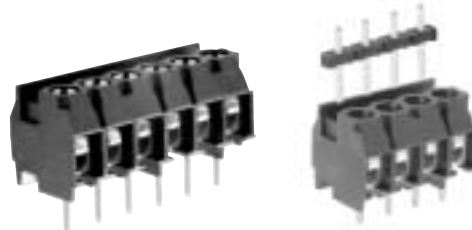


Dimensions: mm (in.) When locating connector, allow 0.5 mm clearance around it for process-induced variations.  
Length of Connector (L) L = No. of Poles x Center to Center Spacing

Series 95-FL

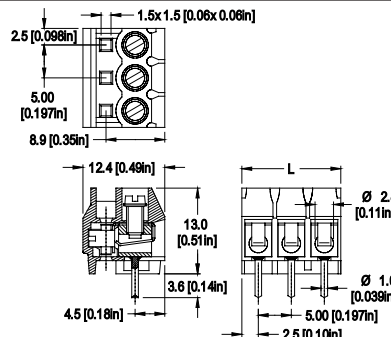
Type 950-GFL-DS

5 mm spacing • 2 to 24 poles



950-GFL-DS

One possible variation of assembly



Dimensions: mm (in.) When locating connector, allow 0.5 mm clearance around it for process-induced variations.  
Length of Connector (L) L = No. of Poles x Center to Center Spacing

DESCRIPTION

This two piece connector was designed for the HVAC industry, and allows external wiring to be connected to type 950-NLFL-DS which is mounted to a slot in the base plate by means of a locking foot. The cover is equipped with type 971-SLK pinstrip which is soldered to a printed circuit board. Contact is made when the cover and base plate are assembled.

- Plug
- Plug-In Direction Perpendicular to PCB and Wire Entrance Parallel to PCB when plugged with 971-SLK /-SLS /-SLW
- With locking foot

TECHNICAL DATA

Center to Center Spacing: 5 mm (0.197 in.) Wire Stripping length: 6 mm (0.25 in.)  
Nominal Cross Section: 1.5 mm<sup>2</sup> (2325 mils<sup>2</sup>)

APPROVAL INFORMATION

	Rating	Current (A)	Voltage (V)	AWG	Application Group	Screw Tightening Torque
File No.: E69841	UL	10	300	26-14	B,C	max. 3.5 lbf.in.
File No.: LR24322	CSA	10	300	26-14	B,D,E	max. 0.4 Nm

Rated Impulse Withstand Voltage: 2500 V

MATERIAL

MOLDING: Polyamide, self extinguishing to UL 94, V-0, black  
TEMPERATURE LIMITS: Short time: 140°C (284°F)  
Continuous: RTI 105°C (221°F)  
Low limit: -40°C (-40°F)  
Comparative Tracking Index: CTI > 600  
Oxygen Index Rating: 32%

Terminal Body: nickel plated copper alloy  
Wire Protector: tin plated copper alloy  
Screw: yellow chromate passivated, zinc plated, steel, M2.6

ACCESSORIES

- BST Self Adhesive Marking Strips. Consecutively numbered.
- Jumper, Type 970-J1.

OPTIONS See How to Order. If more than one option is required, please separate each option with a dash (-).



CN: Consecutive Numbering (hot stamped White numbers)  
SM: Special Marking (please provide sketch)  
G05: Gold Plating (5 micro inches)  
G30: Gold Plating (30 micro inches)  
S30: Silver Plating (30 micro inches)  
(Plated components: wire protector)

HOW TO ORDER

POLES:	OPTIONS:
02 to 12	CN, SM, G05, G30, S30

950-NLFL-DS/

DESCRIPTION

The design for this plug and pinstrip combination was created for the HVAC industry and allows for the interconnection of two printed circuit boards.

- Plug
- Plug-In Direction Perpendicular to PCB and Wire Entrance Parallel to PCB when plugged with 971-SLK /-SLS /-SLW
- With solder pin

TECHNICAL DATA

Center to Center Spacing: 5 mm (0.197 in.) Wire Stripping length: 6 mm (0.25 in.)  
Nominal Cross Section: 1.5 mm<sup>2</sup> (2325 mils<sup>2</sup>) Recommended Hole Ø in PCB: 1.3 mm (0.051 in.)

APPROVAL INFORMATION

	Rating	Current (A)	Voltage (V)	AWG	Application Group	Screw Tightening Torque
File No.: E69841	UL	10	300	26-14	B,C	max. 3.5 lbf.in.
File No.: LR24322	CSA	10	300	26-14	B,D,E	max. 0.4 Nm

Rated Impulse Withstand Voltage: 2500 V

MATERIAL

Self extinguishing to UL 94, V-0, grey  
MOLDING: 2 to 12 pole: Polyamide  
13 to 24 pole: Polyamide (glass fiber reinforced)  
TEMPERATURE LIMITS: Short time: 140°C (284°F) 200°C (392°F)  
Continuous: RTI 105°C (221°F) RTI 105°C (221°F)  
Low limit: -40°C (-40°F) -40°C (-40°F)  
Comparative Tracking Index: CTI > 600 CTI > 175  
Oxygen Index Rating: 32% 32%

Terminal Body: nickel plated copper alloy  
Wire Protector: tin plated copper alloy  
Screw: yellow chromate passivated, zinc plated, steel, M2.6  
Solder Pin: tin plated copper alloy, Ø 1.0 mm (0.04 in.)

ACCESSORIES

- BST Self Adhesive Marking Strips. Consecutively numbered.
- Jumper, Type 970-J1.

OPTIONS See How to Order. If more than one option is required, please separate each option with a dash (-).



CN: Consecutive Numbering (hot stamped White numbers)  
SM: Special Marking (please provide sketch)  
PS: Clear chromate passivated, zinc plated, steel screws  
G05: Gold Plating (5 micro inches)  
G30: Gold Plating (30 micro inches)  
S30: Silver Plating (30 micro inches)  
XXMM: Longer Solder Pins up to 75 mm (3 in.), XX = protruding length of pins, in millimeters  
(Plated components: wire protector)

HOW TO ORDER

POLES:	OPTIONS:
2 to 24	CN, SM, PS, G05, G30, S30, XXMM

950-GFL-DS/

## X-ON Electronics

Largest Supplier of Electrical and Electronic Components

*Click to view similar products for [Weco manufacturer](#):*

Other Similar products are found below :

[327-FU-HDS/10](#) [323-FU-16.5-HDS/12](#) [327-FU-HDS/05](#) [3070-PCM/03-033](#) [210-A-SMD/02](#) [4005-A](#) [307-PCM/06-033](#) [307-PCF/02](#) [110-M-211-SMD/03-MAG](#) [140-A-111/03](#) [121-M-211/04](#) [110-M-211-SMD/04-MAG](#) [140-A-126-SMD/02](#) [327-HDS/12](#) [971-SLR-THR-1.3/06](#) [110-M-211-SMD/02-MAG](#) [980-W/07](#) [980-S/07](#) [3-DIN-46284-ST-OHNE-VDE](#) [120-D-111/08](#) [950-D-SMD-DS/06](#) [876-DR/08](#) [110-M-111/05](#) [120-M-221/06](#) [874-DR/02](#) [150-C-111/03](#) [324-FU-HDS/06](#) [17-MUB](#) [830-A-111-SMD/02-MAG](#) [977-OPSG-DS/05](#) [950-FL-DS/06](#) [140-A-SMD/03](#) [308-PA/03-402](#) [140-A-126-SMD/04-MAG](#) [302-NSTB-DS/02](#) [3070-PCM/06-033](#) [158-A-111/03](#) [302-N-HDS/12](#) [210-A-126-SMD/04-MAG](#) [932-DS/05](#) [982-D/09](#) [324-FU-HDS/12](#) [326-HDS/12](#) [327-HDS/05](#) [327-FU-HDS/12](#) [122-D-121/08-BNA](#) [122-D-121/06-BNA](#) [974-T-DS/02](#) [339-KF](#) [4010-B](#)