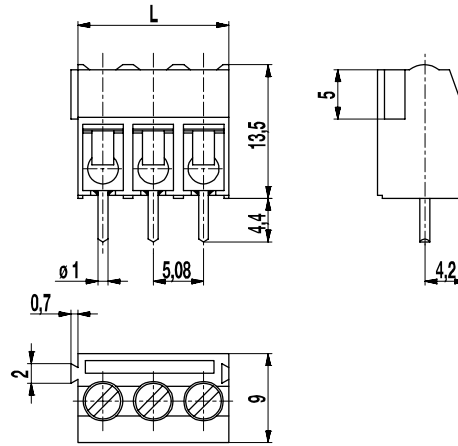
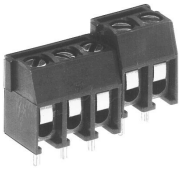


960-T(-DS)

PCB connector
Screw connection, interlocking



GENERAL INFORMATION

| | |
|--------------|---------|
| Pitch | 5,08 mm |
| No. of poles | 2 + 3 |

TECHNICAL DATA

| | | | |
|--------------------------|---|-------|-------|
| Clamping Range | solid / stranded / AWG | | |
| without wire protector | 1 - 6 mm ² / 1 - 2,5 mm ² / 16 - 12 AWG | | |
| with wire protector | 0,75 - 4 mm ² / 0,75 - 2,5 mm ² / 18 - 12 AWG | | |
| Rated Cross Section | 2,5 mm ² | | |
| Wire Stripping Length | 6,5 mm ± 0,5 mm | | |
| Overvoltage Category | III | III | II |
| Pollution Severity Level | 3 | 2 | 2 |
| Rated Voltage | 250 V | 320 V | 630 V |
| Rated Impulse Voltage | 4 kV | 4 kV | 4 kV |
| Rated Insulation Voltage | 250 V acc. to EN 60998-1 | | |
| Rated Current | 24 A | | |
| Hole in PCB | ø 1,3 mm | | |
| Torque | 0,5 Nm | | |

APPROVALS

| | Current [A] | Voltage [V] | Group | AWG | [Nm] |
|--|-------------|-------------|-------|-----------|------|
| | 20 | 300 | B | 22-12 [1] | 0,51 |
| | 10 | 300 | D | 22-12 [1] | 0,51 |
| | 20 | 300 | B | 26 - 12 | 0,51 |
| | 10 | 300 | D, E | 26 - 12 | 0,51 |

CONFIGURATIONS

| Poles | Part number | Article number | Part number | Article number | Length (L) | Packaging | PU |
|-------|-------------|----------------|-------------|----------------|------------|-----------|-----|
| 2 | 960-T/02 | 10.878.602 | 960-T-DS/02 | 20.878.602 | 11,16 mm | Box | 250 |
| 3 | 960-T/03 | 10.878.603 | 960-T-DS/03 | 20.878.603 | 16,24 mm | Box | 250 |

MATERIAL

| | |
|----------------------------|--|
| Moulding | PA, grey, V-0 |
| Comparative Tracking Index | CTI ≥ 600 |
| Insulating Group | I |
| Temperature Range | -40°C up to 100°C |
| Terminal body | Tin plated brass |
| Screw | M3; zinc plated steel, blue passivated |
| Solder pin | ø 1 mm; tin plated copper alloy |
| Wire protector | Tin plated tin bronze |

OPTIONS / ACCESSORIES

- Consecutive numbering
- Special marking according to drawing
- Self-adhesive marking strip BST-5,08
- Longer P.C. pins up to 95 mm
- Version with extended wire entrance
- Double wire protector as bridge

[1] No. 26 AWG min for factory-wiring only



X-ON Electronics

Largest Supplier of Electrical and Electronic Components

Click to view similar products for [Weco manufacturer](#):

Other Similar products are found below :

[110-A-111/02](#) [110-A-111/03](#) [110-A-111/04](#) [110-A-111/05](#) [110-A-111/06](#) [110-A-111/08-BA](#) [110-M-111/02](#) [110-M-111/05](#) [110-M-111/06](#)
[110-M-121/02](#) [110-M-121/06](#) [110-M-211/02](#) [110-M-211/03](#) [110-M-211/04](#) [110-M-211/05](#) [110-M-211/06](#) [110-M-211-SMD/02-MAG](#) [110-M-211-SMD/03-MAG](#) [110-M-211-SMD/04-MAG](#) [110-M-221/02](#) [110-M-221/03](#) [110-M-221/04](#) [110-M-221/05](#) [110-M-221/06](#) [110-P-111/16](#)
[120-A-111/02-K](#) [120-A-111/03](#) [120-A-111/04](#) [120-A-111/05](#) [120-A-111/06](#) [120-A-111/10-333](#) [120-D-111/08](#) [120-D-121/06](#) [120-M-211/02](#)
[120-M-211/02-K](#) [120-M-211/03](#) [120-M-221/02](#) [120-M-221/03](#) [120-M-221/04](#) [120-M-221/06](#) [120-M-222/06](#) [120-M-222/08](#) [120-M-222/10](#)
[121-A-111/02](#) [121-A-111/03](#) [121-A-111/04](#) [121-A-111/05](#) [121-A-111/06](#) [121-D-121/05](#) [121-M-111 /02](#)