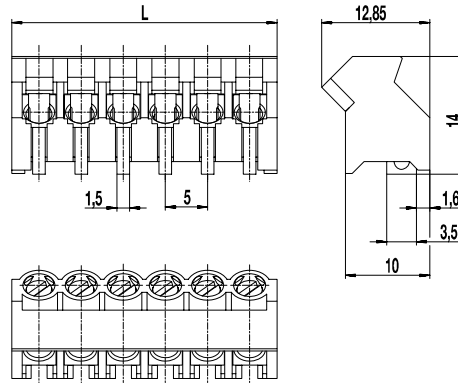
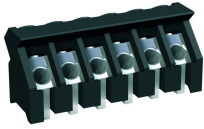


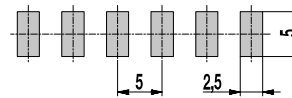
# 974-D-SMD-DS

PCB connector for SMD  
Screw connection 45°-angle to PCB



L = pole length x pitch + 1,5 mm

### PCB LAYOUT



Solder paste thickness:  
0,2 - 0,25 mm

### GENERAL INFORMATION

Pitch	5 mm
No. of poles	2 - 6

### TECHNICAL DATA

Clamping Range	solid / stranded / AWG		
	0,75 - 4 mm <sup>2</sup> / 0,75 - 2,5 mm <sup>2</sup> / 18 - 12 AWG		
Rated Cross Section	2,5 mm <sup>2</sup>		
Wire Stripping Length	6 mm ± 0,5 mm		
Overvoltage Category	III	III	II
Pollution Severity Level	3	2	2
Rated Voltage	250 V	320 V	630 V
Rated Impulse Voltage	4 kV	4 kV	4 kV
Rated Insulation Voltage	250 V acc. to EN 60998-1		
Rated Current	24 A		
Torque	0,4 Nm		

### APPROVALS

	Current [A]	Voltage [V]	Group	AWG	[Nm]
	20	300	B	18 - 12	0,4
	10	300	D	18 - 12	0,4
	20	300	B	18 - 12	0,4
	10	300	D	18 - 12	0,4

### MATERIAL

Moulding	PA HT, black, V-0
Comparative Tracking Index	CTI ≥ 600
Insulating Group	I
Temperature Range	-40°C up to 120°C; reflow solder temperature peak max. 255°C acc. to DIN EN 61760-1
Terminal body	Tin plated brass
Screw	M3; zink plated steel, clear passivated
Wire protector	Tin plated tin bronze

### OPTIONS / ACCESSORIES

- Consecutive numbering
- Special marking according to drawing
- Self-adhesive marking strip BST-5,00 [1]

[1] To be fitted after reflow soldering process

### CONFIGURATIONS

Poles	Part number	Article number	Length (L)	Packaging	PU	Tape Width	Tape Height
2	974-D-SMD-DS/02	20.874.402	11,5 mm	Box	250		
3	974-D-SMD-DS/03	20.874.403	16,5 mm	Box	250		
4	974-D-SMD-DS/04	20.874.404	21,5 mm	Box	200		
5	974-D-SMD-DS/05	20.874.405	26,5 mm	Box	100		
6	974-D-SMD-DS/06	20.874.406	31,5 mm	Box	100		
2	974-D-SMD-DS/02-T&R	20.874.402.A00	11,5 mm	Tape-on-Reel	250	56 mm	14,7 mm
3	974-D-SMD-DS/03-T&R	20.874.403.A00	16,5 mm	Tape-on-Reel	250	56 mm	14,7 mm
4	974-D-SMD-DS/04-T&R	20.874.404.A00	21,5 mm	Tape-on-Reel	250	56 mm	14,7 mm
5	974-D-SMD-DS/05-T&R	20.874.405.A00	26,5 mm	Tape-on-Reel	250	56 mm	14,7 mm
6	974-D-SMD-DS/06-T&R	20.874.406.A00	31,5 mm	Tape-on-Reel	250	56 mm	14,7 mm

further number of poles on request



## X-ON Electronics

Largest Supplier of Electrical and Electronic Components

*Click to view similar products for [Barrier Terminal Blocks](#) category:*

*Click to view products by [Weco](#) manufacturer:*

Other Similar products are found below :

[CR151D20104](#) [670A-RZ-15-KT20](#) [6C1N03](#) [6PCR-02](#) [6PCR-02-008](#) [6PCR-05-008](#) [6PCR-08-008](#) [6PCR-09-008](#) [6PCR-13-006](#) [6PCR-15-006](#) [6PCV-06-008](#) [6PCV-06-716](#) [6PCV-09-001](#) [6PCV-15-008](#) [6PCV-17-1206](#) [6PCV-20-323](#) [6STR-06-006](#) [6STR-08-006](#) [6STR-12-008](#) [6STR-13-006](#) [6STR-14-008](#) [6STR-16-008](#) [6STR-17-008](#) [6STR-21-008](#) [6STR-25-008](#) [6STR-27-008](#) [6STV-03-008](#) [6STV-09-006](#) [6STV-10-006](#) [6WWV-11-008](#) [6WWV-12-008](#) [6WWV-16-008](#) [71502-50](#) [71507-47-50](#) [72504-C-50](#) [72506-C](#) [72507-C-50](#) [72508-56](#) [73203](#) [75505-C-50](#) [812-GP-3/4ST-09](#) [812-GPZ-03PSB](#) [8-1437402-5](#) [8-1437402-7](#) [8PCR-06-006](#) [8PCR-11-006](#) [8PCV-04-001](#) [8PCV-05-008](#) [8PCV-09-006](#) [8PCV-15-006](#)