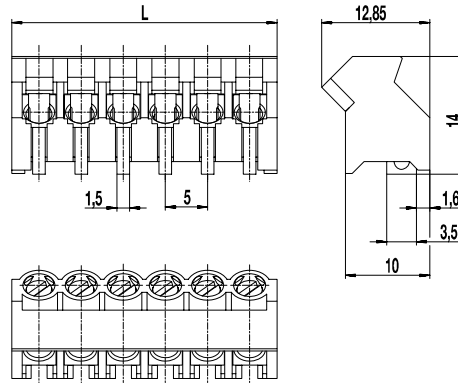
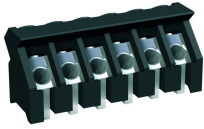


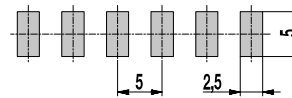
974-D-SMD-DS

PCB connector for SMD
Screw connection 45°-angle to PCB



L = pole length x pitch + 1,5 mm

PCB LAYOUT



Solder paste thickness: 0,2 - 0,25 mm

GENERAL INFORMATION

Pitch	5 mm
No. of poles	2 - 6

TECHNICAL DATA

Clamping Range	solid / stranded / AWG		
	0,75 - 4 mm ² / 0,75 - 2,5 mm ² / 18 - 12 AWG		
Rated Cross Section	2,5 mm ²		
Wire Stripping Length	6 mm ± 0,5 mm		
Overvoltage Category	III	III	II
Pollution Severity Level	3	2	2
Rated Voltage	250 V	320 V	630 V
Rated Impulse Voltage	4 kV	4 kV	4 kV
Rated Insulation Voltage	250 V acc. to EN 60998-1		
Rated Current	24 A		
Torque	0,4 Nm		

APPROVALS

	Current [A]	Voltage [V]	Group	AWG	[Nm]
	20	300	B	18 - 12	0,4
	10	300	D	18 - 12	0,4
	20	300	B	18 - 12	0,4
	10	300	D	18 - 12	0,4

MATERIAL

Moulding	PA HT, black, V-0
Comparative Tracking Index	CTI ≥ 600
Insulating Group	I
Temperature Range	-40°C up to 120°C; reflow solder temperature peak max. 255°C acc. to DIN EN 61760-1
Terminal body	Tin plated brass
Screw	M3; zink plated steel, clear passivated
Wire protector	Tin plated tin bronze

OPTIONS / ACCESSORIES

- Consecutive numbering
- Special marking according to drawing
- Self-adhesive marking strip BST-5,00 [1]

[1] To be fitted after reflow soldering process

CONFIGURATIONS

Poles	Part number	Article number	Length (L)	Packaging	PU	Tape Width	Tape Height
2	974-D-SMD-DS/02	20.874.402	11,5 mm	Box	250		
3	974-D-SMD-DS/03	20.874.403	16,5 mm	Box	250		
4	974-D-SMD-DS/04	20.874.404	21,5 mm	Box	200		
5	974-D-SMD-DS/05	20.874.405	26,5 mm	Box	100		
6	974-D-SMD-DS/06	20.874.406	31,5 mm	Box	100		
2	974-D-SMD-DS/02-T&R	20.874.402.A00	11,5 mm	Tape-on-Reel	250	56 mm	14,7 mm
3	974-D-SMD-DS/03-T&R	20.874.403.A00	16,5 mm	Tape-on-Reel	250	56 mm	14,7 mm
4	974-D-SMD-DS/04-T&R	20.874.404.A00	21,5 mm	Tape-on-Reel	250	56 mm	14,7 mm
5	974-D-SMD-DS/05-T&R	20.874.405.A00	26,5 mm	Tape-on-Reel	250	56 mm	14,7 mm
6	974-D-SMD-DS/06-T&R	20.874.406.A00	31,5 mm	Tape-on-Reel	250	56 mm	14,7 mm

further number of poles on request



X-ON Electronics

Largest Supplier of Electrical and Electronic Components

Click to view similar products for [Fixed Terminal Blocks](#) category:

Click to view products by [Weco](#) manufacturer:

Other Similar products are found below :

[MBE-1512](#) [MBE-1520](#) [MBE-154](#) [MBE-156](#) [MBES-156](#) [MH-2512](#) [MHE-132](#) [MHE-163](#) [MI-254 \(35\)](#) [MPT-275](#) [ELM10110G](#) [BA311TU](#)
[BA411SU](#) [MV-254-D](#) [MV-255](#) [MV-493](#) [MVE-252](#) [MVE-253](#) [MVEB-153](#) [1705142](#) [1-796689-8](#) [1841320000](#) [S451](#) [29.007](#) [29.116](#) [30.204](#)
[30.503](#) [30.756](#) [30.853](#) [9872-0-00-15-00-00-33-0](#) [996750](#) [1710052](#) [20020316-G071B01LF](#) [20020327-C061B01LF](#) [29590](#) [30.652](#) [30.710](#)
[30.754](#) [30.757](#) [32.058](#) [37.206](#) [37.208](#) [37.507](#) [37.558](#) [38331-5812](#) [38331-8018](#) [38540-1910](#) [39.002](#) [MBE-1517](#) [MBE-153](#)