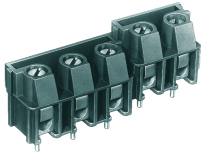


977-T(-DS)

PCB connector
Screw connection, with test holes, interlocking



GENERAL INFORMATION

Pitch	7,5 mm
No. of poles	2 + 3

TECHNICAL DATA

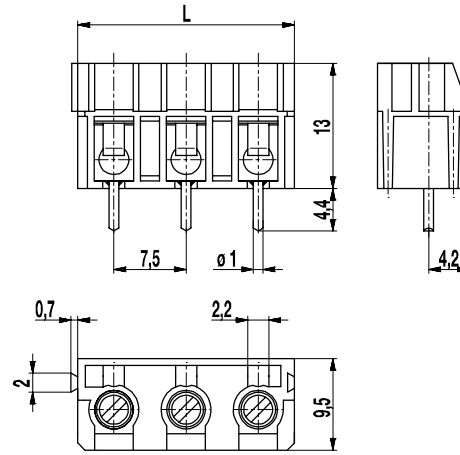
Clamping Range	solid / stranded / AWG		
without wire protector	1 - 6 mm ² / 1 - 2,5 mm ² / 16 - 12 AWG		
with wire protector	0,75 - 4 mm ² / 0,75 - 2,5 mm ² / 18 - 12 AWG		
Rated Cross Section	2,5 mm ²		
Wire Stripping Length	7 mm ± 0,5 mm		
Overvoltage Category	III	III	II
Pollution Severity Level	3	2	2
Rated Voltage	400 V	630 V	1000 V
Rated Impulse Voltage	6 kV	6 kV	6 kV
Rated Current	24 A		
Hole in PCB	ø 1,3 mm		
Torque	0,5 Nm		

APPROVALS

	Current [A]	Voltage [V]	Group	AWG	[Nm]
	15	300	B	22-12 [1]	0,51
	20	300	B	26 - 12	0,51
	10	300	D, E	26 - 12	0,51
	Current [A]	Voltage [V]	mm ²		
	24	450	2,5 [2]		

CONFIGURATIONS

Poles	Part number	Article number	Part number	Article number	Length (L)	Packaging	PU
2	977-T/02	10.872.632	977-T-DS/02	20.872.632	13,50 mm	Box	250
3	977-T/03	10.872.633	977-T-DS/03	20.872.633	21,00 mm	Box	250



MATERIAL

Moulding	PA, grey, V-0
Comparative Tracking Index	CTI ≥ 600
Insulating Group	I
Temperature Range	-40°C up to 100°C
Terminal body	Tin plated brass
Screw	M3; zinc plated steel, blue passivated
Solder pin	ø 1 mm; tin plated copper alloy
Wire protector	Tin plated tin bronze

OPTIONS / ACCESSORIES

- Consecutive numbering
- Special marking according to drawing
- Self-adhesive marking strip BST-7,50
- Longer solder pins up to 95 mm
- Version with larger clamping range

[1] Min No. 26 AWG for factory-wiring only
[2] Acc. to IEC 60947-7-4 und IEC 60947-1



X-ON Electronics

Largest Supplier of Electrical and Electronic Components

Click to view similar products for [Weco manufacturer](#):

Other Similar products are found below :

[327-FU-HDS/10](#) [323-FU-16.5-HDS/12](#) [327-FU-HDS/05](#) [3070-PCM/03-033](#) [210-A-SMD/02](#) [4005-A](#) [307-PCM/06-033](#) [307-PCF/02](#) [110-M-211-SMD/03-MAG](#) [140-A-111/03](#) [121-M-211/04](#) [110-M-211-SMD/04-MAG](#) [140-A-126-SMD/02](#) [327-HDS/12](#) [971-SLR-THR-1.3/06](#) [110-M-211-SMD/02-MAG](#) [980-W/07](#) [980-S/07](#) [3-DIN-46284-ST-OHNE-VDE](#) [120-D-111/08](#) [950-D-SMD-DS/06](#) [876-DR/08](#) [110-M-111/05](#) [120-M-221/06](#) [874-DR/02](#) [150-C-111/03](#) [324-FU-HDS/06](#) [17-MUB](#) [830-A-111-SMD/02-MAG](#) [977-OPSG-DS/05](#) [950-FL-DS/06](#) [140-A-SMD/03](#) [308-PA/03-402](#) [140-A-126-SMD/04-MAG](#) [302-NSTB-DS/02](#) [3070-PCM/06-033](#) [158-A-111/03](#) [302-N-HDS/12](#) [210-A-126-SMD/04-MAG](#) [932-DS/05](#) [982-D/09](#) [324-FU-HDS/12](#) [326-HDS/12](#) [327-HDS/05](#) [327-FU-HDS/12](#) [122-D-121/08-BNA](#) [122-D-121/06-BNA](#) [974-T-DS/02](#) [339-KF](#) [4010-B](#)