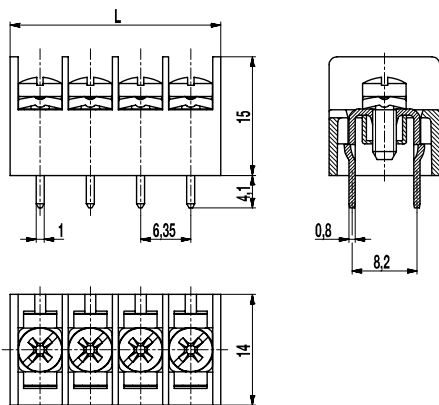


PCB connector

980-D

Screw connection, 2 P.C. pins per pole



The PCB screw connector 980-D in 6.35 mm pitch is available with 2 to 32 poles. In spite of its small dimensions, it features large clearance and creepage distances.

This version is equipped with two solder pins per pole.

The conductor terminal is of head contact design, whereby the screws and square washers are movably connected.

For easier connection, the non-rotably mounted square washers are automatically lifted when the screw is loosened.

Part Numbers

No. of poles	980-D	Length	Pcs
2	20.873.602	14,00	200
3	20.873.603	20,30	100
4	20.873.604	26,60	100
5	20.873.605	33,00	100
6	20.873.606	39,30	100
7	20.873.607	45,70	50
8	20.873.608	52,00	50
9	20.873.609	58,40	50
10	20.873.610	64,70	50
11	20.873.611	71,10	50
12	20.873.612	77,50	50
13	20.873.613	83,80	50
14	20.873.614	90,10	25
15	20.873.615	96,50	40
16	20.873.616	102,80	25
17	20.873.617	109,20	25
18	20.873.618	115,50	25
19	20.873.619	121,90	25
20	20.873.620	128,20	25
22	20.873.622	141,00	25
24	20.873.624	153,60	25
26	20.873.626	166,30	20
28	20.873.628	179,00	20
30	20.873.630	191,70	20
32	20.873.632	204,30	20

further number of poles on request

General Information

Pitch	6,35 mm
No. of poles	2 - 32



Technical Data

Clamping Range	<i>solid / flexible / AWG</i> 0,25 - 1,5 mm ² / 0,25 - 1 mm ² / 22 - 18 AWG
Rated Cross Section	1 mm ²
Wire Stripping Length	6 mm
Overvoltage Category	III
Pollution Severity Level	3
Rated Voltage	320 V
Rated Impulse Voltage	4 kV
Rated Insulation Voltage	250 V acc. to EN 60998-1
Rated Current	13,5 A
Hole in PCB	ø 1,6 mm
Torque	0,5 Nm
Other specifications	Two wires with same cross section can be connected per pole.

Material

Moulding	PA, grey, V-0
Comparative Tracking Index	CTI ≥ 600
Insulating Group	I
Temperature Range	-40°C up to 100°C
Pressure clamp	Tin plated brass
Screw	M3; zinc plated steel, blue passivated
Solder pin	0,8 x 1,0 mm; tin plated brass

Approvals

	Current	Voltage	Group	AWG	Nm
	7	300	B	22 - 18	0,51
	7	150	C	22 - 18	0,51
	7	300	B, D, E	22 - 18	0,51

Options / Accessories

- Consecutive numbering
- Special marking according to drawing
- Crosshead screws
- Cover cap 980-A
- Securing pins BEF-980

X-ON Electronics

Largest Supplier of Electrical and Electronic Components

Click to view similar products for [Fixed Terminal Blocks](#) category:

Click to view products by [Weco](#) manufacturer:

Other Similar products are found below :

[MBE-1512](#) [MBE-1520](#) [MBE-154](#) [MBE-156](#) [MBES-156](#) [MH-2512](#) [MHE-132](#) [MHE-163](#) [MI-254 \(35\)](#) [MPT-275](#) [ELM10110G](#) [BA311TU](#)
[BA411SU](#) [MV-254-D](#) [MV-255](#) [MV-493](#) [MVE-252](#) [MVE-253](#) [MVEB-153](#) [1705142](#) [1-796689-8](#) [1841320000](#) [S451](#) [29.007](#) [29.116](#) [30.204](#)
[30.503](#) [30.756](#) [30.853](#) [9872-0-00-15-00-00-33-0](#) [996750](#) [1710052](#) [20020316-G071B01LF](#) [20020327-C061B01LF](#) [29590](#) [30.652](#) [30.710](#)
[30.754](#) [30.757](#) [32.058](#) [37.206](#) [37.208](#) [37.507](#) [37.558](#) [38331-5812](#) [38331-8018](#) [38540-1910](#) [39.002](#) [MBE-1517](#) [MBE-153](#)