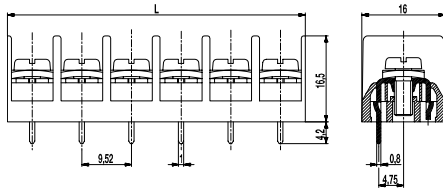


## PCB connector

### 982-S

Screw connection, 1 solder pin per pole



The PCB connector 982-S in 9.52 mm pitch is available in 2- to 26-pole design and can be mounted side-by-side in the nominal pitch. This version is equipped with one solder pin per pole.

The conductor terminal is of head contact design, whereby the screws and square washers are movably connected.

For easier connection, the non-rotatably mounted square washers are automatically lifted when the screw is loosened.

#### Part Numbers

No. of poles	982-S	Length	Pcs
2	10.873.702	19,00	200
3	10.873.703	28,60	200
4	10.873.704	38,10	100
5	10.873.705	47,60	50
6	10.873.706	57,10	50
7	10.873.707	66,60	50
8	10.873.708	76,20	50
9	10.873.709	85,70	50
10	10.873.710	95,20	50
11	10.873.711	104,70	50
12	10.873.712	114,30	50
13	10.873.713	123,80	50
14	10.873.714	133,30	20
15	10.873.715	142,80	25
16	10.873.716	152,30	25
17	10.873.717	161,90	25
18	10.873.718	171,40	25
19	10.873.719	180,90	25
20	10.873.720	190,40	25
21	10.873.721	199,90	25
22	10.873.722	209,50	25
23	10.873.723	219,00	25
24	10.873.724	228,50	25
25	10.873.725	238,00	20
26	10.873.726	247,60	20

#### General Information

Pitch	9,52 mm
No. of poles	2 - 26



#### Technical Data

Clamping Range	<i>solid / flexible / AWG</i> 0,75 - 2,5 mm <sup>2</sup> / 0,75 - 2,5 mm <sup>2</sup> / 18 - 12 AWG
Rated Cross Section	2,5 mm <sup>2</sup>
Wire Stripping Length	8,5 mm
Overvoltage Category	III
Pollution Severity Level	3
Rated Voltage	320 V
Rated Impulse Voltage	4 kV
Rated Insulation Voltage	450 V acc. to EN 60998-1
Rated Current	20 A at 30°C ambient temperature
Hole in PCB	ø 1,6 mm
Torque	0,8 Nm
Other specifications	Per pole two conductors of identical cross-section can be connected.

#### Material

Moulding	PA, grey, V-0
Comparative Tracking Index	CTI ≥ 600
Insulating Group	I
Temperature Range	-40°C up to 100°C
Pressure clamp	Tin plated brass
Screw	M3,5; zinc plated steel, blue passivated
Solder pin	0,8 x 1,0 mm; tin plated brass

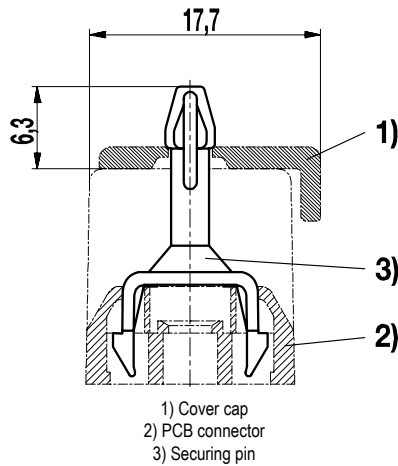
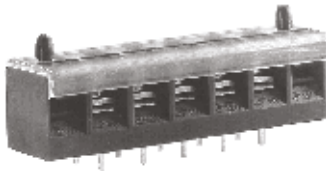
#### Approvals

	Current	Voltage	Group	AWG	Nm
	20	300	B	20 - 12	0,79
	20	300	B	20 - 12	0,79
	10	300	D, E	20 - 12	0,79

#### Options / Accessories

- Consecutive numbering
- Special marking according to drawing
- Crosshead screws
- Cover cap 982-A
- Securing pins BEF-983
- Tab connections
- 10 mm pin length

## Cover cap 982-A



The 982-A cover cap is used as shock protection for series 982 PCB connectors. All cover caps have two  $\varnothing$  3 mm fastening holes. They are fastened after wiring the strips with two securing pins BEF-983, which are pressed into the first and the last empty pole compartment of the PCB connector.

When ordering series 982 PCB connectors, the two empty pole compartments on the far left and the far right must be specified because terminal pole numbers are only allocated to connected pole compartments.

The number of poles and the cover cap sizes stated herein are already configured according to the number of empty pole compartments, i.e. a 3-pole cover cap is suitable for a 3-pole PCB connector equipped with two additional empty pole compartments.

### Part Numbers

No. of poles	982-A	Length	Pcs
1	13.891.202	28,50	200
2	14.891.202	38,00	100
3	15.891.202	47,60	100
4	16.891.202	51,10	100
5	17.891.202	66,60	100
6	18.891.202	76,10	100
7	19.891.202	85,70	100
8	20.891.202	95,20	100
9	21.891.202	104,70	100
10	22.891.202	114,30	100
11	23.891.202	123,80	100
12	24.891.202	133,30	100
13	25.891.202	142,80	100
14	26.891.202	152,40	100
15	27.891.202	161,90	100
16	28.891.202	171,40	100
18	30.891.202	190,50	100
20	32.891.202	209,50	100
22	34.891.202	228,60	100
24	36.891.202	247,60	100

further number of poles on request

### General Information

No. of poles	1 - 24
Usable with	PCB connectors series 982

### Material

Moulding	ABS, transparent
Temperature Range	-30°C up to 80°C

### Options / Accessories

- Fixing holes in different position
- Securing pins BEF-983

## X-ON Electronics

Largest Supplier of Electrical and Electronic Components

*Click to view similar products for [Fixed Terminal Blocks](#) category:*

*Click to view products by [Weco](#) manufacturer:*

Other Similar products are found below :

[MBE-1512](#) [MBE-1520](#) [MBE-154](#) [MBE-156](#) [MBES-156](#) [MH-2512](#) [MHE-132](#) [MHE-163](#) [MI-254 \(35\)](#) [MPT-275](#) [ELM10110G](#) [BA311TU](#)  
[BA411SU](#) [MV-254-D](#) [MV-255](#) [MV-493](#) [MVE-252](#) [MVE-253](#) [MVEB-153](#) [1705142](#) [1-796689-8](#) [1841320000](#) [S451](#) [29.007](#) [29.116](#) [30.204](#)  
[30.503](#) [30.756](#) [30.853](#) [9872-0-00-15-00-00-33-0](#) [996750](#) [1710052](#) [20020316-G071B01LF](#) [20020327-C061B01LF](#) [29590](#) [30.652](#) [30.710](#)  
[30.754](#) [30.757](#) [32.058](#) [37.206](#) [37.208](#) [37.507](#) [37.558](#) [38331-5812](#) [38331-8018](#) [38540-1910](#) [39.002](#) [MBE-1517](#) [MBE-153](#)