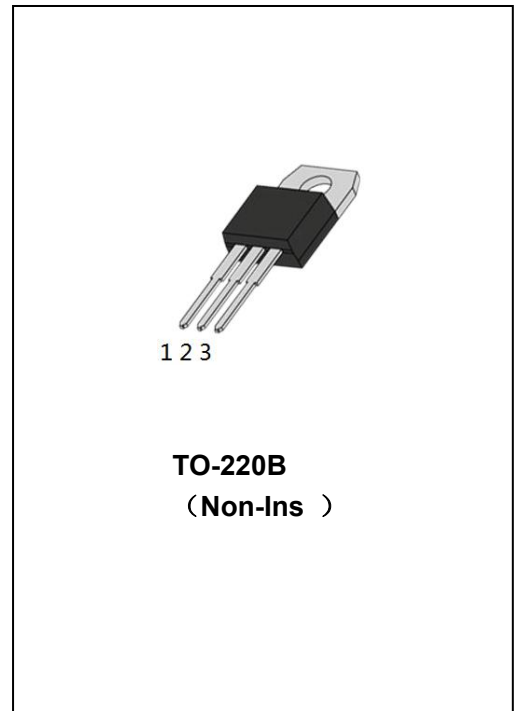




**MBR20150CT 20A High Voltage Power Schottky Rectifier**

**General Description**

High voltage dual Schottky rectifier suited for switch mode power supplies and other power converters. This device is intended for use in medium voltage operation, and particularly, in high frequency circuits where low switching losses and low noise are required.



**Main Product Characteristics**

symbol	value	unit
$I_{F(AV)}$	2x10	A
$V_{RRM}$	150	V
$V_F$	$\leq 0.95$	V
$T_J$	150	$^{\circ}C$

**Features**

- High Surge Capacity
- 150 $^{\circ}C$  Operating Junction Temperature
- 20A Total (10A Per Diode Leg)
- Guard-ring for Stress Protection
- Pb-free Packages are Available

**Absolute Maximum Ratings ( Per Diode Leg)**

Parameter	Symbol	Value	Unit
Storage junction temperature range	$T_{stg}$	-55~150	$^{\circ}C$
Operating junction temperature range	$T_j$	150	$^{\circ}C$
Repetitive peak reverse voltage ( $T_j=25^{\circ}C$ )	$V_{RRM}$	150	V
Working Peak Reverse Voltage	$V_{RWM}$	105	V
DC Blocking Voltage	$V_R$	150	V
Average Rectified Forward Current(Rated $V_R$ ) $T_C=142^{\circ}C$	$I_{F(AV)}$	20	A



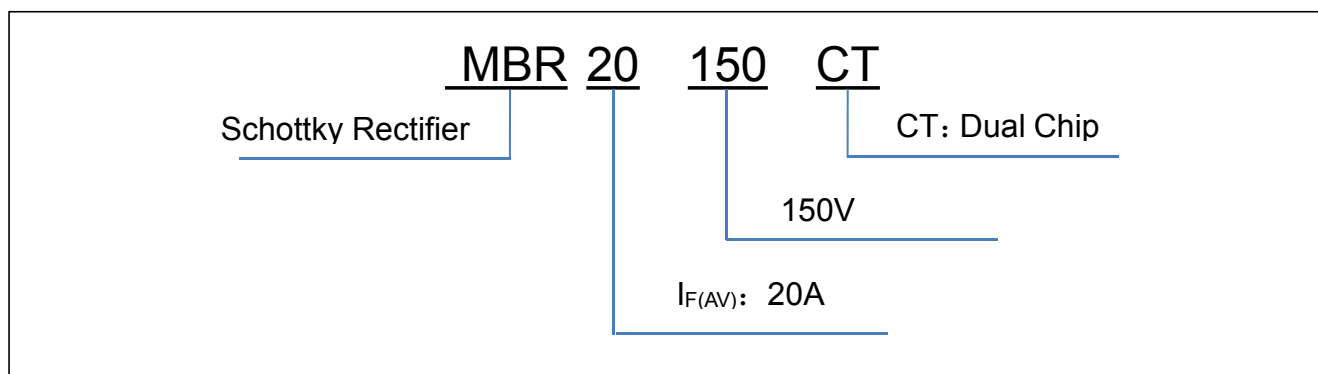
**MBR20150CT 20A High Voltage Power Schottky Rectifier**

Peak Repetitive Forward Current (Rated $V_R$ , Square Wave, 20kHz) $T_C=142^\circ\text{C}$	$I_{FRM}$	20	A
Non Repetitive Peak Surge Current (Surge Applied at Rated Load Conditions Half Wave, Single Phase, 60Hz)	$I_{FSM}$	150	A
Voltage Rate of Change (Rated $V_R$ )	dv/dt	10000	V/ $\mu\text{s}$

**Electrical Characteristics** ( $T_j=25^\circ\text{C}$  unless otherwise specified)

Parameter	Symbol	Test Condition	Value (Max)	Unit
Maximum Instantaneous Forward Voltage Drop	$V_F$	$I_F=10\text{A}$	0.95	V
Maximum Instantaneous Reverse Current Drop	$I_R$	$V_R=155\text{V}$	5	$\mu\text{A}$

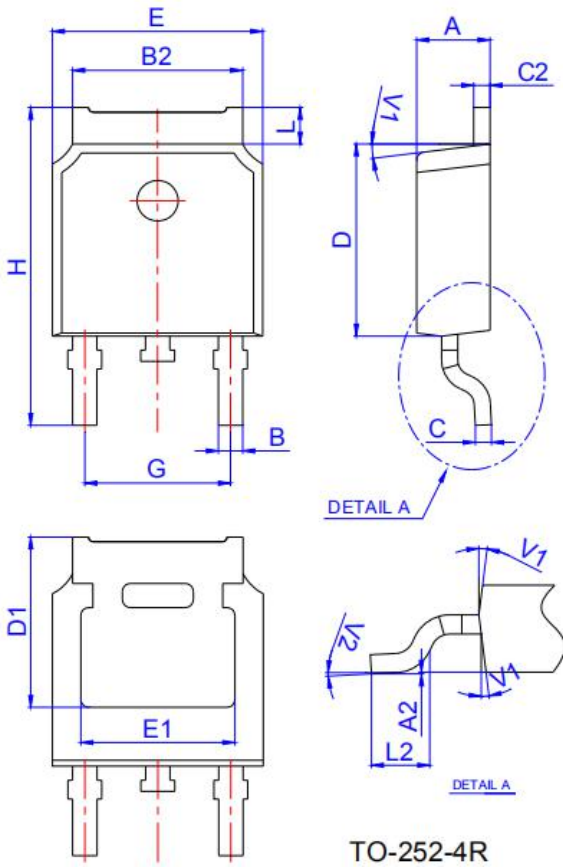
**Ordering Information**





**MBR20150CT 20A High Voltage Power Schottky Rectifier**

**Package Mechanical Data**



Ref.	Dimensions					
	Millimeters			Inches		
	Min.	Typ.	Max.	Min.	Typ.	Max.
A	2.10		2.50	0.083		0.098
A2	0		0.10	0		0.004
B	0.66		0.86	0.026		0.034
B2	5.18		5.48	0.202		0.216
C	0.40		0.60	0.016		0.024
C2	0.44		0.58	0.017		0.023
D	5.90		6.30	0.232		0.248
D1	5.30REF			0.209REF		
E	6.40		6.80	0.252		0.268
E1	4.63			0.182		
G	4.47		4.67	0.176		0.184
H	9.50		10.70	0.374		0.421
L	1.09		1.21	0.043		0.048
L2	1.35		1.65	0.053		0.065
V1		7°			7°	
V2		0°	6°	0°	6°	

FIG.1- FORWARD CURRENT DERATING CURVE

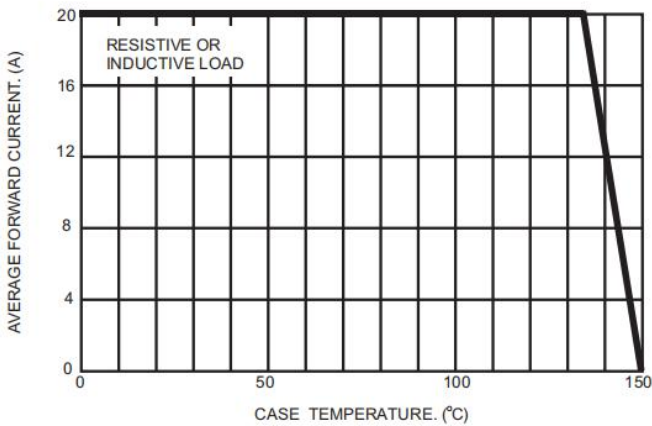
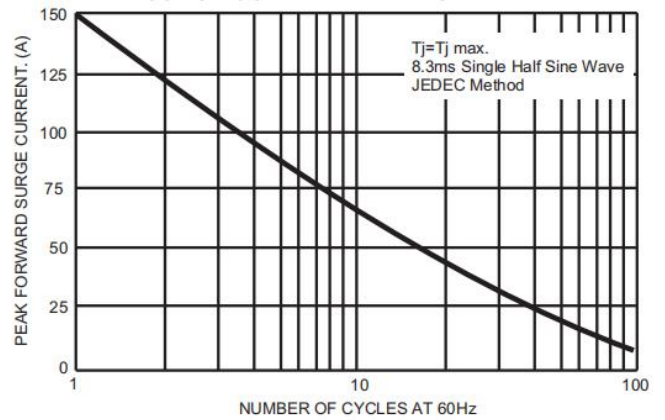


FIG.2- MAXIMUM NON-REPETITIVE FORWARD SURGE CURRENT PER LEG





**MBR20150CT 20A High Voltage Power Schottky Rectifier**

FIG.3- TYPICAL INSTANTANEOUS FORWARD CHARACTERISTICS PER LEG

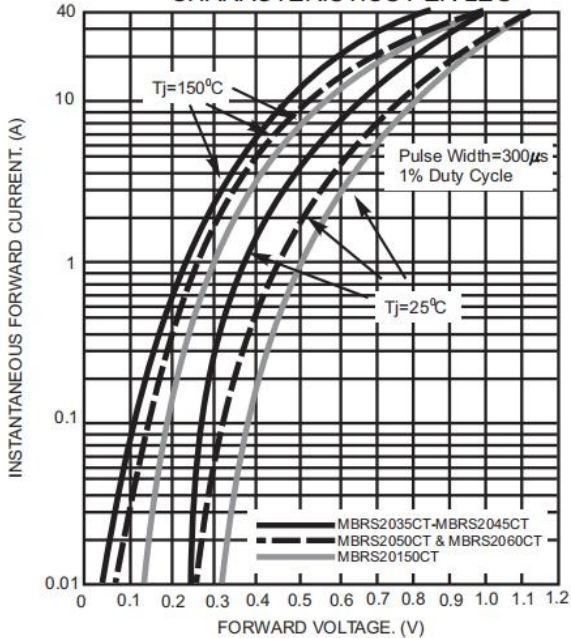


FIG.4- TYPICAL REVERSE CHARACTERISTICS PER LEG

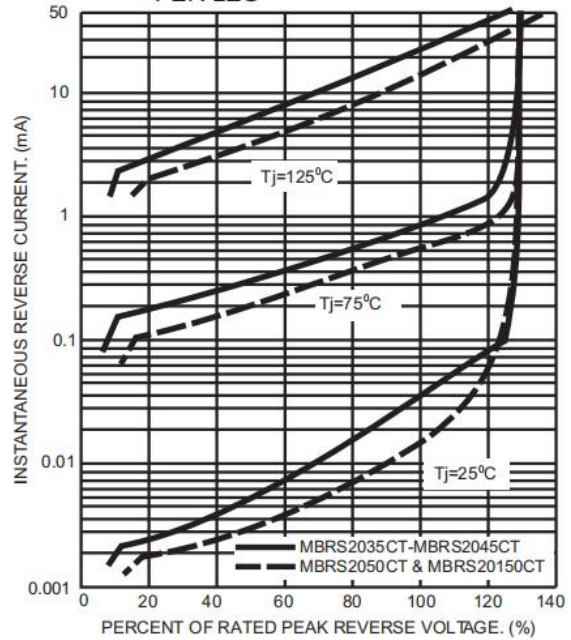


FIG.5- TYPICAL JUNCTION CAPACITANCE PER LEG

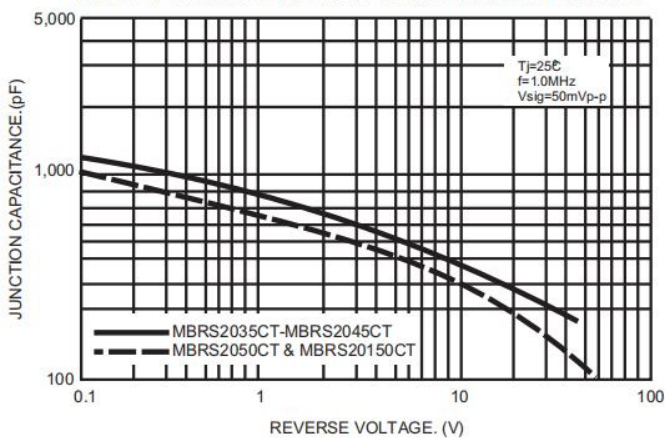
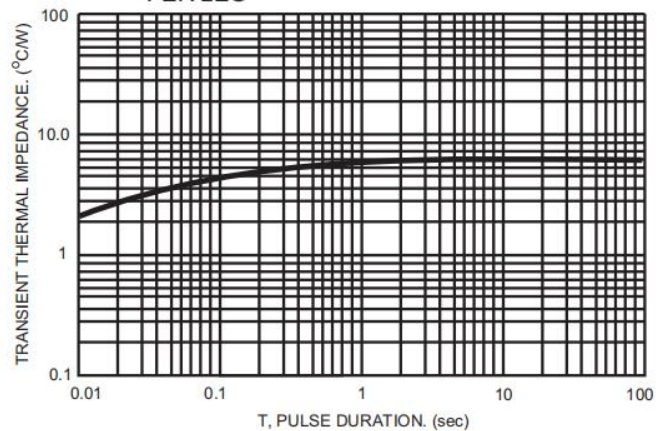


FIG.6- TYPICAL TRANSIENT THERMAL IMPEDANCE PER LEG



Information furnished in this document is believed to be accurate and reliable. However, Jiangsu Weida Semiconductor Co., Ltd assumes no responsibility for the consequences of use without consideration for such information nor use beyond it.

Information mentioned in this document is subject to change without notice, apart from that when an agreement is signed, Jiangsu Weida Semiconductor Co., Ltd complies with the agreement.

Products and information provided in this document have no infringement of patents. Jiangsu Weida Semiconductor Co., Ltd assumes no responsibility for any infringement of other rights of third parties which may result from the use of such products and information.

## X-ON Electronics

Largest Supplier of Electrical and Electronic Components

*Click to view similar products for [Schottky Diodes & Rectifiers](#) category:*

*Click to view products by [Weida Semiconductor](#) manufacturer:*

Other Similar products are found below :

[MA4E2039](#) [MA4E2508M-1112](#) [MBR1545CT](#) [MMBD301M3T5G](#) [RB160M-50TR](#) [D83C](#) [BAS16E6433HTMA1](#) [BAT 54-02LRH E6327](#)  
[NRVBAF360T3G](#) [NSR05F40QNXT5G](#) [NTE555](#) [JANS1N6640](#) [SK310-T](#) [SS3003CH-TL-E](#) [GA01SHT18](#) [CRS10I30A\(TE85L,QM](#)  
[MA4E2501L-1290](#) [MBRA140TRPBF](#) [MBRB30H30CT-1G](#) [BAT 15-04R E6152](#) [JANTX1N5712-1](#) [DMJ3940-000](#) [SB007-03C-TB-E](#)  
[SK33B-TP](#) [NRVBB20100CTT4G](#) [NRVBM120LT1G](#) [NTSB30U100CT-1G](#) [VS-6CWQ10FNHM3](#) [CRG04\(T5L,TEMQ\)](#) [ACDBA1100LR-HF](#)  
[ACDBA1200-HF](#) [ACDBA240-HF](#) [ACDBA3100-HF](#) [CDBQC0530L-HF](#) [CDBQC0240LR-HF](#) [ACDBA260LR-HF](#) [ACDBA1100-HF](#)  
[MA4E2502L-1246](#) [10BQ015-M3/5BT](#) [NRVBM120ET1G](#) [CRS08TE85LQM](#) [PMAD1108-LF](#) [B120Q-13-F](#) [1N5819T-G](#) [B0530WSQ-7-F](#)  
[PDS1040Q-13](#) [B160BQ-13-F](#) [SDM05U20CSP-7](#) [B140S1F-7](#) [HSM560Je3/TR13](#)