

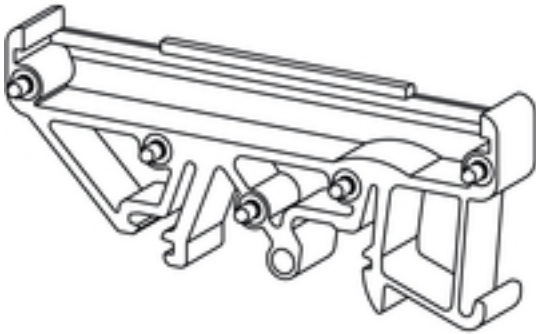
RF RS 70 RE/A4/O.BEZ OR 1665**Weidmüller Interface GmbH & Co. KG**

Klingenbergstraße 26

D-32758 Detmold

Germany

www.weidmueller.com



The RS 70 profile is supplied in fixed lengths. The desired length is obtained by connecting the individual pieces together. The PCB is pushed into the side of the profile. End cover plates close off the sides of the profile.. Elements for terminal rails and direct mounting are available here. The clip-on feet are permanently attached to the profile. Marking options are integrated into the side pieces.

General ordering data

Version	Clip-in foot, RS 70 orange, Clip-in foot, Width: 10 mm
Order No.	0126260000
Type	RF RS 70 RE/A4/O.BEZ OR 1665
GTIN (EAN)	4008190178772
Qty.	20 pc(s).

Creation date September 15, 2022 7:18:25 PM CEST

Catalogue status 09.09.2022 / We reserve the right to make technical changes.

RF RS 70 RE/A4/O.BEZ OR 1665

Weidmüller Interface GmbH & Co. KG

Klingenbergstraße 26

D-32758 Detmold

Germany

www.weidmueller.com

Technical data

Dimensions and weights

Height	33.5 mm	Height (inches)	1.319 inch
Height of lowest version	32 mm	Width	10 mm
Width (inches)	0.394 inch	Net weight	5.554 g

General data

Colour	orange	Colour chart (similar)	RAL 2000
Encapsulation option	No	Protection degree	IP00

Material data

Comparative Tracking Index (CTI)	600 ≤ CTI	Insulating material	PA 66
UL 94 flammability rating	V-2		

Classifications

ETIM 6.0	EC002779	ETIM 7.0	EC002779
ETIM 8.0	EC002779	ECLASS 9.0	27-18-27-90
ECLASS 9.1	27-18-27-90	ECLASS 10.0	27-18-27-92
ECLASS 11.0	27-18-27-92	ECLASS 12.0	27-18-27-92

Approvals

ROHS	Conform
------	---------

Downloads

Engineering Data	CAD data – STEP
Engineering Data	EPLAN
Catalogues	Catalogues in PDF-format
Brochures	FL ANALO.SIGN.CONV. EN MB DEVICE MANUF. EN FL MACHINE SAFETY EN FL 72H SAMPLE SER EN PO OMNIMATE EN PO OMNIMATE EN

Data sheet

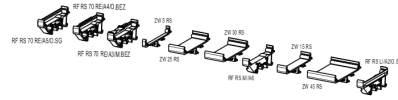
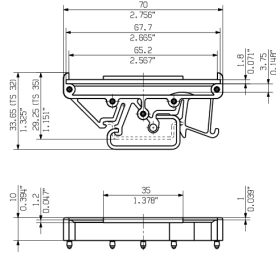
RF RS 70 RE/A4/O.BEZ OR 1665

Weidmüller Interface GmbH & Co. KG
 Klingenbergstraße 26
 D-32758 Detmold
 Germany

www.weidmueller.com

Drawings

LOCKING-FOOT RIGHT



X-ON Electronics

Largest Supplier of Electrical and Electronic Components

Click to view similar products for [Accessories for Robotics and RC category](#):

Click to view products by [Weidmuller manufacturer](#):

Other Similar products are found below :

[56T705](#) [01.001.6453.0](#) [CW30101A](#) [CW31701A](#) [6G38EC](#) [73.353.4028.1](#) [FB22001A](#) [FB30601A](#) [9501](#) [121587-0026](#) [128-26-5](#) [1367251-2](#)
[MS600-2-XP-1A](#) [MS-602-GEE-14-07C](#) [MS90376-14R](#) [MS90376-16RB](#) [1A9224 REV A](#) [C72205](#) [229A676-18](#) [229A676-20](#) [KA-89-82](#)
[CB20201X](#) [KC-89-104](#) [CB30601A](#) [CB31201A](#) [CBC120210-752](#) [KN-89-87-M07](#) [910401X241XX](#) [28-3426](#) [3051](#) [98.291.1000.0](#) [FB11801A](#)
[192900-0380](#) [192900-0565](#) [AENV7](#) [SW20801A](#) [229A677-6](#) [278B27-4](#) [278B27-6](#) [30W](#) [30-9702-BU](#) [33-505-BU](#) [CW12001A](#)
[CW6210201A](#) [MIW4](#) [50T721 REV G](#) [J605](#) [KC-89-66](#) [CB110-01X](#) [CB11801A](#)