

**TS 35X7.5/LL/6 2M/ST/ZN**

**Weidmüller Interface GmbH & Co. KG**  
Klingenbergstraße 26  
D-32758 Detmold  
Germany

www.weidmueller.com

**Product image**

Similar to illustration

Steel DIN rails are the most widespread on the market. Among metal DIN rails, they have the lowest shortcircuit protection, similar to stainless steel.

**General ordering data**

Version	Rail, TS 35, TS 35 x 7.5, with slot, Steel, galvanic zinc plated and passivated
Order No.	<a href="#">0514570000</a>
Type	TS 35X7.5/LL/6 2M/ST/ZN
GTIN (EAN)	4008 190980009
Qty.	2 m

Creation date January 8, 2022 12:48:00 AM CET

Catalogue status 17.12.2021 / We reserve the right to make technical changes.

**TS 35X7.5/LL/6 2M/ST/ZN**
**Weidmüller Interface GmbH & Co. KG**

Klingenbergstraße 26

D-32758 Detmold

Germany

www.weidmueller.com

**Technical data**
**Dimensions and weights**

Depth	7.5 mm	Depth (inches)	0.295 inch
Height	35 mm	Height (inches)	1.378 inch
Width	2,000 mm	Width (inches)	78.74 inch
Net weight	155 g		

**Mounting rail**

Drill-hole diameter	5.2 mm	
Installation advice	Direct mounting	
Length of the terminal rail	nominal	2,000 mm
	max.	2,000 mm
	min.	0 mm
Material	Steel	
Pre-punched mounting rail	Yes	
Short circuit strength corresponds to E-Cu wire	16 mm <sup>2</sup>	
Short-time withstand current according to IEC 60947-7-2	1.92 kA/1s	
Slit gap	7 mm	
Slit gap		
Slit length	18 mm	
Slit length		
Slit width	6.2 mm	
Slit width		
Slotted drill holes	Yes	
Solder eyelet hole diameter (D)	5.2 mm	
Spacing of holes, centre-to-centre	25 mm	
Standards	DIN EN 60715	
Surface finish	galvanic zinc plated and passivated	
Thickness	1 mm	

**Classifications**

ETIM 6.0	EC001285	ETIM 7.0	EC001285
ETIM 8.0	EC001285	ECLASS 9.0	27-40-06-02
ECLASS 9.1	27-40-06-02	ECLASS 10.0	27-40-06-02
ECLASS 11.0	27-40-06-02		

**Approvals**

ROHS	Conform
------	---------

**Downloads**

Engineering Data	<a href="#">CAD data – STEP</a>
Engineering Data	<a href="#">EPLAN, WSCAD, Zuken E3.S</a>
User Documentation	<a href="#">StorageConditionsTerminalBlocks</a>
Catalogues	<a href="#">Catalogues in PDF-format</a>
Brochures	

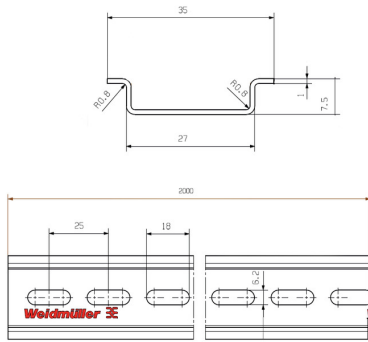
**Data sheet**

**TS 35X7.5/LL/6 2M/ST/ZN**

**Weidmüller Interface GmbH & Co. KG**  
Klingenbergstraße 26  
D-32758 Detmold  
Germany

[www.weidmueller.com](http://www.weidmueller.com)

**Drawings**



**TS 35X7.5/LL/6 2M/ST/ZN**

**Weidmüller Interface GmbH & Co. KG**  
 Klingenbergstraße 26  
 D-32758 Detmold  
 Germany

www.weidmueller.com

**Accessories**

**Mounting feet**

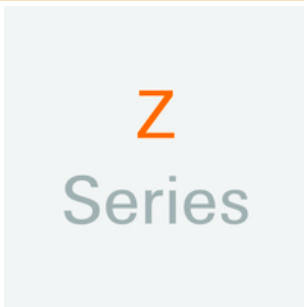


Mounting feet are used to mount components that cannot be snapped directly on a DIN rail.

**General ordering data**

Type	MOFU 35/LO/1	Version
Order No.	<a href="#">0646260000</a>	Accessories, Mounting foot, Polyamide 66
GTIN (EAN)	4008190178574	
Qty.	20 pc(s).	

**Z-Series**



Weidmüller's range of products includes end brackets that guarantee a permanent, reliable mounting on the terminal rail and prevent sliding. Versions with and without screws are available. The end brackets include marking options, also for group markers, and also a test plug holder.

**General ordering data**

Type	ZEW 35/2	Version
Order No.	<a href="#">8630740000</a>	Z-series, End bracket
GTIN (EAN)	4032248348916	
Qty.	20 pc(s).	
Type	ZEW 35	Version
Order No.	<a href="#">9540000000</a>	Z-series, End bracket
GTIN (EAN)	4008190956264	
Qty.	20 pc(s).	

## TS 35X7.5/LL/6 2M/ST/ZN

**Weidmüller Interface GmbH & Co. KG**  
 Klingenbergstraße 26  
 D-32758 Detmold  
 Germany

www.weidmueller.com

## Accessories

### Mounting support



#### Shielding and earthing

Our protective earth conductor and shielding terminals featuring different connection technologies allow you to effectively protect both people and equipment from interference, such as electrical or magnetic fields. A comprehensive range of accessories rounds off our range.

#### General ordering data

Type	WSH 6	Version
Order No.	<a href="#">1080200000</a>	Accessories, Rail support, Wemid
GTIN (EAN)	4008190965150	
Qty.	10 pc(s).	
Type	WSH 1	Version
Order No.	<a href="#">1068700000</a>	Accessories, Rail support, PA 66 GF 30
GTIN (EAN)	4008190118389	
Qty.	10 pc(s).	
Type	WSH 5	Version
Order No.	<a href="#">1080100000</a>	Accessories, Rail support, Wemid
GTIN (EAN)	4008190965143	
Qty.	10 pc(s).	
Type	WSH 3/H/N	Version
Order No.	<a href="#">1715970000</a>	Accessories, Rail support, Wemid
GTIN (EAN)	4008190353100	
Qty.	10 pc(s).	

### End caps



End caps for the mounting rails provide protection against sharp edges and visually close off the end of the mounting rail.

#### General ordering data

Type	TS END CAP 35X7.5	Version
Order No.	<a href="#">1283470000</a>	Accessories, Cover cap, End plate, Polypropylene
GTIN (EAN)	4050118078701	
Qty.	100 pc(s).	

**TS 35X7.5/LL/6 2M/ST/ZN**

**Weidmüller Interface GmbH & Co. KG**  
 Klingenbergstraße 26  
 D-32758 Detmold  
 Germany

www.weidmueller.com

**Accessories**

**Screws**



Depending on the terminal block or also accessories, we offer different types of screws as additional items or also spare parts.

**General ordering data**

Type	FKSC M5X8 D9/SW2.5	Version
Order No.	<a href="#">0295900000</a>	SAK Series, Allen hex screw, Screws, Number of poles: 1
GTIN (EAN)	4008190133337	
Qty.	50 pc(s).	

**Mounting feet**



**Shielding and earthing**

Our protective earth conductor and shielding terminals featuring different connection technologies allow you to effectively protect both people and equipment from interference, such as electrical or magnetic fields. A comprehensive range of accessories rounds off our range.

**General ordering data**

Type	FM 4/TS35	Version
Order No.	<a href="#">0687900000</a>	Accessories, Mounting foot, Steel, bright finish
GTIN (EAN)	4008190086459	
Qty.	40 pc(s).	

## TS 35X7.5/LL/6 2M/ST/ZN

**Weidmüller Interface GmbH & Co. KG**  
 Klingenbergstraße 26  
 D-32758 Detmold  
 Germany

www.weidmueller.com

## Accessories

## W-Series



Weidmüller's range of products includes end brackets that guarantee a permanent, reliable mounting on the terminal rail and prevent sliding. Versions with and without screws are available. The end brackets include marking options, also for group markers, and also a test plug holder.

## General ordering data

Type	WEW 35/2	Version
Order No.	<a href="#">1061200000</a>	W-Series, End bracket
GTIN (EAN)	4008190030230	
Qty.	50 pc(s).	
Type	WEW 35/1	Version
Order No.	<a href="#">1059000000</a>	W-Series, End bracket
GTIN (EAN)	4008190172282	
Qty.	50 pc(s).	

## Mounting rail support



Mounting rail supports can be used to mount din rails at any location in the cabinet. The resulting raised or angled din rail offers the installer both easier component mounting and wiring.

## General ordering data

Type	TSTW D 4.3	Version
Order No.	<a href="#">1610110000</a>	Accessories, Mounting rail support, Steel
GTIN (EAN)	4008190185305	
Qty.	10 pc(s).	
Type	TSTW 6/M6	Version
Order No.	<a href="#">0164000000</a>	Accessories, Mounting rail support, Steel
GTIN (EAN)	4008190095345	
Qty.	10 pc(s).	
Type	TST 2/M5	Version
Order No.	<a href="#">1286600000</a>	Accessories, Mounting rail support, Steel
GTIN (EAN)	4008190144777	
Qty.	10 pc(s).	
Type	TST 2/M6	Version
Order No.	<a href="#">0101700000</a>	Accessories, Mounting rail support, Steel
GTIN (EAN)	4008190069254	
Qty.	10 pc(s).	

## TS 35X7.5/LL/6 2M/ST/ZN

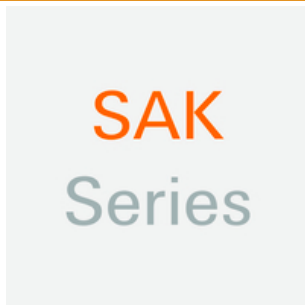
**Weidmüller Interface GmbH & Co. KG**  
 Klingenbergstraße 26  
 D-32758 Detmold  
 Germany

www.weidmueller.com

## Accessories

Type	TSTW 5/M5 ZN	Version
Order No.	<a href="#">1779100000</a>	Accessories, Mounting rail support, Steel
GTIN (EAN)	4032248169894	
Qty.	10 pc(s).	
Type	TSTW 5/M5	Version
Order No.	<a href="#">0178100000</a>	Accessories, Mounting rail support, Steel
GTIN (EAN)	4008190059651	
Qty.	10 pc(s).	
Type	SH 2	Version
Order No.	<a href="#">0494920000</a>	Accessories, Rail support, KrG
GTIN (EAN)	4008190007584	
Qty.	10 pc(s).	

## SAK-Series



Weidmüller's range of products includes end brackets that guarantee a permanent, reliable mounting on the terminal rail and prevent sliding. Versions with and without screws are available. The end brackets include marking options, also for group markers, and also a test plug holder.

## General ordering data

Type	EW 35	Version
Order No.	<a href="#">0383560000</a>	Accessories, End bracket
GTIN (EAN)	4008190181314	
Qty.	50 pc(s).	
Type	EW 35 GR 7032	Version
Order No.	<a href="#">0383530000</a>	Accessories, End bracket
GTIN (EAN)	4008190027322	
Qty.	50 pc(s).	
Type	EW 35/SCHA/M3	Version
Order No.	<a href="#">0258660000</a>	Accessories, End bracket
GTIN (EAN)	4008190033477	
Qty.	20 pc(s).	



## X-ON Electronics

Largest Supplier of Electrical and Electronic Components

*Click to view similar products for [Mounting Fixings](#) category:*

*Click to view products by [Weidmuller](#) manufacturer:*

Other Similar products are found below :

[5912235-2](#) [007541](#) [627](#) [M3783-7001](#) [71-074914-006](#) [75-69211-3P](#) [75-69214-6P](#) [75-69220-27S](#) [75-69224-5S](#) [7717-8DAP](#) [85047GULPT](#)  
[85048GBESR](#) [FPK-02-R10](#) [PMS27488-001-01](#) [1-18023-0](#) [H-118-2](#) [DB1](#) [1302030464](#) [DC37-22-21PX](#) [1302010957](#) [1302263564](#)  
[1302340393](#) [1404-0016-78](#) [14540](#) [1561-60](#) [1566](#) [1566](#) [BR16A](#) [NT20SATT01](#) [22594-8](#) [KBB-141](#) [89078GBEPR](#) [915060](#) [SF4011-60101](#)  
[97-CS-50](#) [1671](#) [1855-54](#) [T-2085-SP](#) [20800240002](#) [21899-4](#) [2193](#) [2518](#) [25745-1](#) [H-118-1](#) [354467](#) [37184](#) [4658](#) [4665](#) [4731](#) [BRACKET-RA-](#)  
[30](#)