

HDC C HX SM6.0AG**Weidmüller Interface GmbH & Co. KG**

Klingenbergstraße 26

D-32758 Detmold

Germany

www.weidmueller.com



Crimps provide a electrical and mechanical connection between wire and contact that is both secure and reliable. The optimal crimp connection is gas-tight and corrosion-resistant.

General ordering data

Version	Heavy-duty connectors, Crimp contact, MixMate, Pin, Conductor cross-section, max.: 6, turned, Copper alloy
Order No.	1002940000
Type	HDC C HX SM6.0AG
GTIN (EAN)	4032248697229
Qty.	25 pc(s).

Creation date September 15, 2022 8:59:49 PM CEST

Catalogue status 09.09.2022 / We reserve the right to make technical changes.

HDC C HX SM6.0AG**Weidmüller Interface GmbH & Co. KG**

Klingenbergstraße 26

D-32758 Detmold

Germany

www.weidmueller.com

Technical data**Dimensions and weights**

Diameter	6 mm	Net weight	3.14 g
----------	------	------------	--------

Environmental Product Compliance

REACH SVHC	Lead 7439-92-1	SCIP	6eabd5ae-2d6b-409e-8bdf-87c27ee1
------------	----------------	------	----------------------------------

General data

Conductor cross-section, max.	6 mm ²	Contact diameter, male Ø	4 mm
Contact material	Copper alloy	Cross-section for connected wire	6 mm ²
Material	Copper alloy	Plugging cycles	≥ 500
Production methods	turned	Stripping length, rated connection	8 mm
Surface finish	silver	Type	Pin
Type of connection	Crimp connection	Version insert	MixMate
Volume resistance	≤1 mΩ		

Classifications

ETIM 6.0	EC000796	ETIM 7.0	EC000796
ETIM 8.0	EC000796	ECLASS 9.0	27-44-02-04
ECLASS 9.1	27-44-02-04	ECLASS 10.0	27-44-02-04
ECLASS 11.0	27-44-02-04	ECLASS 12.0	27-44-02-04

Approvals

Approvals



ROHS Conform

Downloads

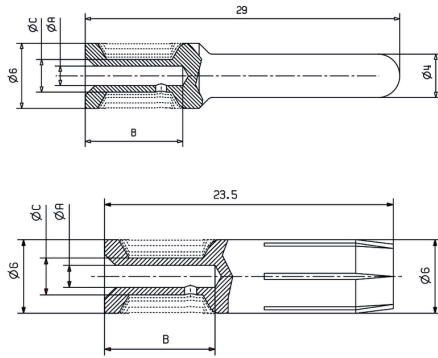
Engineering Data	CAD data – STEP
Engineering Data	EPLAN, WSCAD
Catalogues	Catalogues in PDF-format
Brochures	FL FIELDWIRING EN FL FIELDWIRING EN

HDC C HX SM6.0AG

Weidmüller Interface GmbH & Co. KG
Klingenbergstraße 26
D-32758 Detmold
Germany

www.weidmueller.com

Drawings



X-ON Electronics

Largest Supplier of Electrical and Electronic Components

Click to view similar products for [Heavy Duty Power Connectors](#) category:

Click to view products by [Weidmuller](#) manufacturer:

Other Similar products are found below :

[6646058-2](#) [6646137-1](#) [6646138-1](#) [6646940-1](#) [6651091-1](#) [6651525-1](#) [6651529-1](#) [696475-1](#) [702-32-01109](#) [73080255059](#) [73080965046](#)
[7310205040001](#) [765-16-0080B](#) [765-18-0080D](#) [902-77-02113](#) [PS00/A0620/6300](#) [AN0024023](#) [154-42B7WM250](#) [MS3117-14AC](#) [1643543-1](#)
[1766966-1](#) [1791340000](#) [NLDFT-3-BL-L-S120-M40A](#) [NLDFT-N-W-L-C240-M40B](#) [1926015-1](#) [NLS-3-BL-C240-M40B](#) [NLS-N-W-C240-](#)
[M40B](#) [NPS-3-BL-T6](#) [2-1589900-8](#) [9300480317](#) [294-0091-01100](#) [296-0040-01100](#) [1-6609148-0](#) [A32595-0049](#) [1766249-1](#) [19000005132](#)
[1926016-1](#) [1-966831-8](#) [AN0024202](#) [AN0264023](#) [279-0841-10100A](#) [281-0334-00100A](#) [RMSB4](#) [419-2083-301](#) [LCDX4/0-14B-X](#) [075-8519-](#)
[001](#) [078238-1613](#) [07.470.3256.0](#) [09000005288](#) [09140240311](#)