

AP MCZ1.5 SW 1683

Weidmüller Interface GmbH & Co. KG

Klingenbergstraße 26

D-32758 Detmold

Germany

www.weidmueller.com

Product image



Similar to illustration

Open miniature housing in modular terminal format with five tension clamp connections. A transparent hinged top plate can be used for labelling and provides access to potentiometer and status displays. Plug-in cross-connectors can be used to interconnect the three top connections. A cover plate for closing off the housing is also available.

General ordering data

Version	Small housing, OMNIMATE Housing - TERMINALBOX black, End plate, Width: 1.5 mm
Order No.	1046410000
Type	AP MCZ1.5 SW 1683
GTIN (EAN)	4032248782246
Qty.	50 pc(s).

Creation date September 15, 2022 10:36:51 PM CEST

Catalogue status 09.09.2022 / We reserve the right to make technical changes.

AP MCZ1.5 SW 1683

Weidmüller Interface GmbH & Co. KG

Klingenbergstraße 26

D-32758 Detmold

Germany

www.weidmueller.com

Technical data

Dimensions and weights

Height	55.85 mm	Height (inches)	2.199 inch
Width	1.5 mm	Width (inches)	0.059 inch
Length	91 mm	Length (inches)	3.583 inch
Net weight	6.12 g		

General data

Colour	black	Colour chart (similar)	RAL 9011
Encapsulation option	Yes	Protection degree	IP20

Material data

Comparative Tracking Index (CTI)	600 ≤ CTI	Insulating material	Wemid (PA)
Insulating material group	IIIa	UL 94 flammability rating	V-0

Classifications

ETIM 6.0	EC000886	ETIM 7.0	EC000886
ETIM 8.0	EC000886	ECLASS 9.1	27-14-11-33
ECLASS 10.0	27-14-11-33	ECLASS 11.0	27-14-11-33
ECLASS 12.0	27-14-11-33		

Approvals

ROHS	Conform
------	---------

Downloads

Engineering Data	CAD data – STEP
Engineering Data	WSCAD, Zuken E3.S
Catalogues	Catalogues in PDF-format
Brochures	FL ANALO.SIGN.CONV. EN MB DEVICE MANUF. EN FL MACHINE SAFETY EN FL 72H SAMPLE SER EN PO OMNIMATE EN

Data sheet

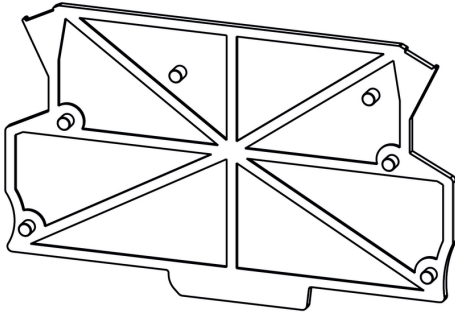
AP MCZ1.5 SW 1683

Weidmüller Interface GmbH & Co. KG
Klingenbergstraße 26
D-32758 Detmold
Germany

www.weidmueller.com

Drawings

Drawing



X-ON Electronics

Largest Supplier of Electrical and Electronic Components

Click to view similar products for [Terminal Block Tools & Accessories](#) category:

Click to view products by [Weidmuller](#) manufacturer:

Other Similar products are found below :

[600HL](#) [600RJ-11](#) [600RJ-14](#) [600RJS-10](#) [600RJS-12](#) [600RJS-15](#) [600RJS-21](#) [601RJ-09](#) [602SP](#) [604J](#) [CSTSPC1-2](#) [7B941-7](#) [88943-2100](#)
[9004230000](#) [9025880000](#) [9102100000](#) [QC102](#) [1437403-6](#) [1437403-9](#) [1437403-8](#) [1453128-1](#) [147832-1](#) [EC0037-000](#) [MT2/H--](#) [MT6/H-N](#)
[MT6/V-GRND](#) [MT8/H-51-60](#) [BC2-12](#) [BCC-1-8/10](#) [EP2.5/4UN/BG](#) [1735590](#) [1840227](#) [1840230](#) [2-1437402-1](#) [JA2-03](#) [JB1-03/J](#) [JB2-04](#)
[JB2-05](#) [JB2-07](#) [JB2-09/J](#) [PARALLELJUMPERLINK](#) [JS601](#) [2204082](#) [2302463](#) [2305949](#) [8PCV-BUSHING](#) [8TK2-24](#) [8WA1853](#)
[9013090000](#) [91.201.1](#)