

**LS 2.8 WDU2.5-10****Weidmüller Interface GmbH & Co. KG**

Klingenbergstraße 26

D-32758 Detmold

Germany

www.weidmueller.com

**Product image**

With the LS 2.8 WDU2.5-10, feed-through modular terminal blocks from the W series can be converted very easily. Inserting the LS 2.8 WDU2.5-10 allows the shield to be soldered directly to the modular terminal.

**General ordering data**

Version	W-Series, Shield bus
Order No.	<a href="#">1056400000</a>
Type	LS 2.8 WDU2.5-10
GTIN (EAN)	4008 190036454
Qty.	100 pc(s).

Creation date September 15, 2022 10:48:00 PM CEST

Catalogue status 09.09.2022 / We reserve the right to make technical changes.

## LS 2.8 WDU2.5-10

**Weidmüller Interface GmbH & Co. KG**  
 Klingenbergstraße 26  
 D-32758 Detmold  
 Germany

www.weidmueller.com

## Technical data

### Dimensions and weights

Depth	4.3 mm	Depth (inches)	0.169 inch
Height	75.2 mm	Height (inches)	2.961 inch
Width	1.15 mm	Width (inches)	0.045 inch
Net weight	1.59 g		

### Temperatures

Storage temperature	-25 °C...55 °C
---------------------	----------------

### Material data

Material	tinned copper	Colour	Silver grey
----------	---------------	--------	-------------

### Additional technical data

Explosion-tested version	No	Installation advice	Direct mounting
Type of fixing	Snap-on		

### General

Installation advice	Direct mounting
---------------------	-----------------

### Classifications

ETIM 6.0	EC002848	ETIM 7.0	EC002848
ETIM 8.0	EC002848	ECLASS 9.0	27-14-11-92
ECLASS 9.1	27-14-11-92	ECLASS 10.0	27-14-11-92
ECLASS 11.0	27-14-11-92	ECLASS 12.0	27-14-11-92

### Approvals

ROHS	Conform
------	---------

### Downloads

Engineering Data	<a href="#">CAD data – STEP</a>
Engineering Data	<a href="#">EPLAN, WSCAD, Zuken E3.S</a>
User Documentation	<a href="#">Beipackzettel_LS2.8.pdf</a> <a href="#">StorageConditionsTerminalBlocks</a>
Catalogues	<a href="#">Catalogues in PDF-format</a>
Brochures	<a href="#">CAT 1 TERM 16/17 EN</a>

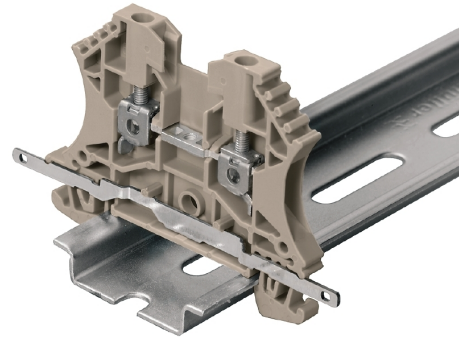
**Data sheet**

**LS 2.8 WDU2.5-10**

**Weidmüller Interface GmbH & Co. KG**  
Klingenbergstraße 26  
D-32758 Detmold  
Germany

[www.weidmueller.com](http://www.weidmueller.com)

**Drawings**



## X-ON Electronics

Largest Supplier of Electrical and Electronic Components

*Click to view similar products for [Terminal Block Tools & Accessories](#) category:*

*Click to view products by [Weidmuller](#) manufacturer:*

Other Similar products are found below :

[600HL](#) [600RJ-11](#) [600RJ-14](#) [600RJS-10](#) [600RJS-12](#) [600RJS-15](#) [600RJS-21](#) [601RJ-09](#) [602SP](#) [604J](#) [CSTSPC1-2](#) [7B941-7](#) [88943-2100](#)  
[QC102](#) [1437403-6](#) [1437403-9](#) [1437403-8](#) [1453128-1](#) [147832-1](#) [EC0037-000](#) [MT2/H--](#) [MT6/H-N](#) [MT6/V-GRND](#) [MT8/H-51-60](#) [BC2-12](#)  
[BCC-1-8/10](#) [EP2.5/4UN/BG](#) [1735590](#) [1840227](#) [1840230](#) [2-1437402-1](#) [JA2-03](#) [JB1-03/J](#) [JB2-04](#) [JB2-05](#) [JB2-07](#) [JB2-09/J](#)  
[PARALLELJUMPERLINK](#) [JS601](#) [2204082](#) [2302463](#) [2305949](#) [8PCV-BUSHING](#) [8TK2-24](#) [8WA1853](#) [91.201.1](#) [9200768](#) [2778.0](#) [281-421](#)  
[2MP/J](#)