

RS ELCO 20/20RM Z**Weidmüller Interface GmbH & Co. KG**

Klingenbergstraße 26

D-32758 Detmold

Germany

www.weidmueller.com



ELCO contacts inserts are used in electrical power plants, refineries and a variety of process applications – wherever stable and reliable signal transmission is required. The ELCO connector features both a reliable connection system and a high signal capacity.

The line of RS ELCO interfaces and pre-assembled PAC ELCO cables is a specially designed solution for these requirements.

General ordering data

Version	Interface, RS ELCO, ELCO plug-in connector, 20, LM2NZF 5.08mm
Order No.	1126620000
Type	RS ELCO 20/20RM Z
GTIN (EAN)	4032248908318
Qty.	1 pc(s).
Available until	2014-05-20

Creation date January 21, 2022 12:15:18 AM CET

Catalogue status 14.01.2022 / We reserve the right to make technical changes.

RS ELCO 20/20RM Z

Weidmüller Interface GmbH & Co. KG

Klingenbergstraße 26

D-32758 Detmold

Germany

www.weidmueller.com

Technical data

Dimensions and weights

Depth	60 mm	Depth (inches)	2.362 inch
Height	70 mm	Height (inches)	2.756 inch
Width	60 mm	Width (inches)	2.362 inch
Net weight	657.366 g		

Temperatures

Storage temperature	-40...60 °C	Operating temperature	-25...50 °C
---------------------	-------------	-----------------------	-------------

Environmental Product Compliance

REACH SVHC	Lead 7439-92-1
------------	----------------

Connection Data

Connection (field side)	LM2NZF 5.08mm	Connection on control side	ELCO plug-in connector
Connector alignment	Right	Contact material (control side)	Phosphor bronze alloy
Number of poles (control side)	20-pole plug	Polarity hardware codification	1

Rating data

Rated voltage	150 V AC / 200 V DC	Rated current per connection	1.5 A
Total operating current	30 A		

Insulation coordination (EN50178)

According to	DIN EN 50178	Rated insulation voltage	< 150 V AC
Surge voltage category	II	Pollution severity level	2
Pulse voltage test (1,2/50µs)	2.5 kV	Insulation test voltage	0.8 kVAC

Connection field

Clamping range, max.	2.5 mm ²	Clamping range, min.	0.13 mm ²
Flexible with sleeve, max.	1.5 mm ²	Flexible with sleeve, min.	0.25 mm ²
Flexible, max. H05(07) V-K	1.5 mm ²	Flexible, min. H05(07) V-K	0.2 mm ²
Max. wire cross-section, AWG	AWG 14	Min. wire cross-section, AWG	AWG 24
Sleeve with plastic collar, max.	1.5 mm ²	Solid, max. H05(07) V-U	2.5 mm ²
Solid, min. H05(07) V-U	0.2 mm ²	Stripping length	7.5 mm
Type of connection	Tension-clamp connection		

Classifications

ETIM 6.0	EC002780	ETIM 7.0	EC002780
ETIM 8.0	EC002780	ECLASS 9.0	27-14-11-52
ECLASS 9.1	27-14-11-52	ECLASS 10.0	27-14-11-52
ECLASS 11.0	27-14-11-52		

Approvals

Approvals



ROHS Conform

Creation date January 21, 2022 12:15:18 AM CET

Catalogue status 14.01.2022 / We reserve the right to make technical changes.

RS ELCO 20/20RM Z

Weidmüller Interface GmbH & Co. KG
Klingenbergstraße 26
D-32758 Detmold
Germany

www.weidmueller.com

Technical data**Downloads**

Approval/Certificate/Document of Conformity	K338_01_11.pdf
User Documentation	Table of connections
Catalogues	Catalogues in PDF-format
Brochures	

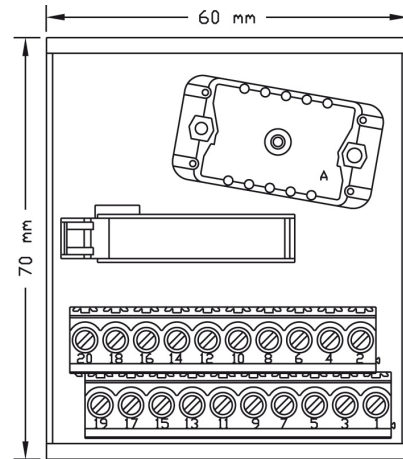
Data sheet

RS ELCO 20/20RM Z

Weidmüller Interface GmbH & Co. KG
Klingenbergstraße 26
D-32758 Detmold
Germany

www.weidmueller.com

Drawings



X-ON Electronics

Largest Supplier of Electrical and Electronic Components

Click to view similar products for [Pluggable Terminal Blocks](#) category:

Click to view products by [Weidmuller](#) manufacturer:

Other Similar products are found below :

[57.510.0053](#) [MC 1.5/ 6-ST-3.5 GY AU](#) [734-104](#) [734-302](#) [8-141-P](#) [8426620000](#) [860505](#) [860516](#) [860810](#) [GBPACX-12](#) [93.731.4953.0](#) [PV05-5,08-K](#) [PVP02-5,00](#) [PVP03-3,50](#) [PVP04-3,50](#) [PVS02-5,00](#) [1-1986160-3](#) [1377680000](#) [1531000000](#) [1546228-5](#) [ELFH16150](#) [ELFP03110](#) [ELFP10210](#) [ELFT06250](#) [ELVP03100](#) [1700101](#) [1700410](#) [1700425](#) [1702246](#) [1705229](#) [1710175](#) [1714537](#) [1717806](#) [1719600](#) [1728941](#) [1734692](#) [1734795](#) [1736036](#) [1740194](#) [1740291](#) [1740628](#) [1740990](#) [1746952](#) [1750207](#) [1752441](#) [1752865](#) [1754115](#) [1754144](#) [1756913](#) [1760051](#)