

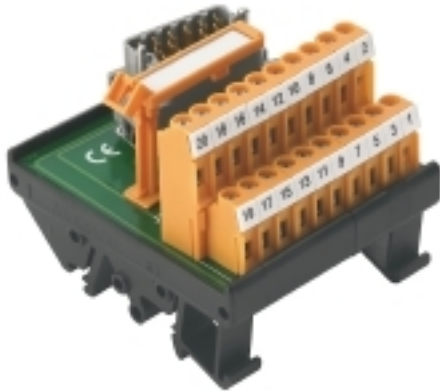
**RS ELCO 20/20LM S****Weidmüller Interface GmbH & Co. KG**

Klingenbergstraße 26

D-32758 Detmold

Germany

www.weidmueller.com



Similar to illustration

ELCO contacts inserts are used in electrical power plants, refineries and a variety of process applications – wherever stable and reliable signal transmission is required. The ELCO connector features both a reliable connection system and a high signal capacity.

The line of RS ELCO interfaces and pre-assembled PAC ELCO cables is a specially designed solution for these requirements.

**General ordering data**

Version	Interface, RS ELCO, ELCO plug-in connector, 20, LP2N 5.08mm
Order No.	<a href="#">1126630000</a>
Type	RS ELCO 20/20LM S
GTIN (EAN)	4032248908226
Qty.	1 pc(s).

Creation date January 21, 2022 12:16:03 AM CET

Catalogue status 14.01.2022 / We reserve the right to make technical changes.

## RS ELCO 20/20LM S

**Weidmüller Interface GmbH & Co. KG**

Klingenbergstraße 26

D-32758 Detmold

Germany

www.weidmueller.com

## Technical data

### Dimensions and weights

Depth	60 mm	Depth (inches)	2.362 inch
Height	70 mm	Height (inches)	2.756 inch
Width	60 mm	Width (inches)	2.362 inch
Net weight	652.334 g		

### Temperatures

Storage temperature	-40...60 °C	Operating temperature	-25...50 °C
---------------------	-------------	-----------------------	-------------

### Environmental Product Compliance

REACH SVHC	Lead 7439-92-1
------------	----------------

### Connection Data

Connection (field side)	LP2N 5.08mm	Connection on control side	ELCO plug-in connector
Connector alignment	Left	Contact material (control side)	Phosphor bronze alloy
Earthing	No	Number of poles (control side)	20-pole plug
Polarity hardware codification	1		

### Rating data

Rated voltage	150 V AC / 200 V DC	Rated current per connection	1.5 A
Total operating current	30 A		

### Insulation coordination (EN50178)

According to	DIN EN 50178	Rated insulation voltage	< 150 V AC
Surge voltage category	II	Pollution severity level	2
Pulse voltage test (1,2/50µs)	2.5 kV	Insulation test voltage	0.8 kVAC

### Connection field

Clamping range, max.	6 mm <sup>2</sup>	Clamping range, min.	0.13 mm <sup>2</sup>
Flexible with sleeve, max.	2.5 mm <sup>2</sup>	Flexible with sleeve, min.	0.5 mm <sup>2</sup>
Flexible, max. H05(07) V-K	4 mm <sup>2</sup>	Flexible, min. H05(07) V-K	0.5 mm <sup>2</sup>
Max. wire cross-section, AWG	AWG 12	Min. wire cross-section, AWG	AWG 26
Sleeve with plastic collar, max.	2.5 mm <sup>2</sup>	Solid, max. H05(07) V-U	6 mm <sup>2</sup>
Solid, min. H05(07) V-U	0.5 mm <sup>2</sup>	Stripping length	6 mm
Tightening torque, max.	0.6 Nm	Tightening torque, min.	0.5 Nm
Type of connection	Screw connection		

### Classifications

ETIM 6.0	EC002780	ETIM 7.0	EC002780
ETIM 8.0	EC002780	ECLASS 9.0	27-14-11-52
ECLASS 9.1	27-14-11-52	ECLASS 10.0	27-14-11-52
ECLASS 11.0	27-14-11-52		

**RS ELCO 20/20LM S**

**Weidmüller Interface GmbH & Co. KG**  
Klingenbergstraße 26  
D-32758 Detmold  
Germany

[www.weidmueller.com](http://www.weidmueller.com)

**Technical data****Approvals**

Approvals



ROHS

Conform

**Downloads**

Approval/Certificate/Document of  
Conformity

[K338\\_01\\_11.pdf](#)

User Documentation

[Table of connections](#)

Catalogues

[Catalogues in PDF-format](#)

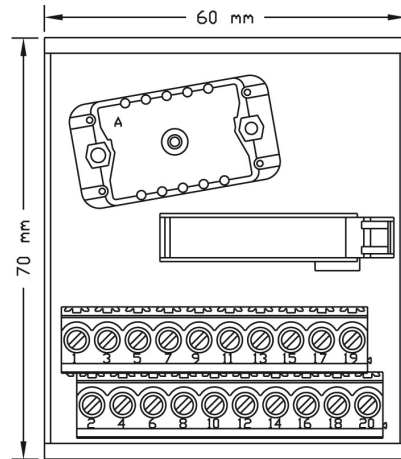
Brochures

**RS ELCO 20/20LM S**

**Weidmüller Interface GmbH & Co. KG**  
Klingenbergstraße 26  
D-32758 Detmold  
Germany

[www.weidmueller.com](http://www.weidmueller.com)

**Drawings**



## X-ON Electronics

Largest Supplier of Electrical and Electronic Components

*Click to view similar products for [Pluggable Terminal Blocks](#) category:*

*Click to view products by [Weidmuller](#) manufacturer:*

Other Similar products are found below :

[57.510.0053](#) [MC 1.5/ 6-ST-3.5 GY AU](#) [734-104](#) [734-302](#) [8-141-P](#) [8426620000](#) [860505](#) [860516](#) [860810](#) [GBPACX-12](#) [93.731.4953.0](#) [PV05-5,08-K](#) [PVP02-5,00](#) [PVP03-3,50](#) [PVP04-3,50](#) [PVS02-5,00](#) [1-1986160-3](#) [1377680000](#) [1531000000](#) [1546228-5](#) [ELFH16150](#) [ELFP03110](#) [ELFP10210](#) [ELFT06250](#) [ELVP03100](#) [1700101](#) [1700410](#) [1700425](#) [1702246](#) [1705229](#) [1710175](#) [1714537](#) [1717806](#) [1719600](#) [1728941](#) [1734692](#) [1734795](#) [1736036](#) [1740194](#) [1740291](#) [1740628](#) [1740990](#) [1746952](#) [1750207](#) [1752441](#) [1752865](#) [1754115](#) [1754144](#) [1756913](#) [1760051](#)