

TOZ 120VUC 48VDC0,1A

Weidmüller Interface GmbH & Co. KG

Klingenbergstraße 26

D-32758 Detmold

Germany

www.weidmueller.com

Product image



Similar to illustration

- 1 NO contact (Bipolar transistor)
- 6.4 mm wide
- 0.1 A DC output current
- Unique multi-voltage input from 24 to 230 V UC
- Input voltages from 12 V DC to 230 V UC with coloured marking: AC: red, DC: blue, UC: white

General ordering data

| | |
|------------|---|
| Version | TERMSERIES, Solid-state relay, Rated control voltage: 120 V UC $\pm 10\%$, Rated switching voltage: 3... 48 V DC, Continuous current: 100 mA, Tension-clamp connection |
| Order No. | 1127090000 |
| Type | TOZ 120VUC 48VDC0,1A |
| GTIN (EAN) | 4032248908561 |
| Qty. | 10 pc(s). |

Creation date September 16, 2022 12:23:56 AM CEST

Catalogue status 09.09.2022 / We reserve the right to make technical changes.

TOZ 120VUC 48VDC0,1A

Weidmüller Interface GmbH & Co. KG

Klingenbergstraße 26

D-32758 Detmold

Germany

www.weidmueller.com

Technical data

Dimensions and weights

| | | | |
|------------|---------|-----------------|------------|
| Depth | 87.8 mm | Depth (inches) | 3.457 inch |
| Height | 90.5 mm | Height (inches) | 3.563 inch |
| Width | 6.4 mm | Width (inches) | 0.252 inch |
| Net weight | 31 g | | |

Temperatures

| | | | |
|---------------------|--|-----------------------|----------------|
| Storage temperature | -40 °C...70 °C | Operating temperature | -20 °C...60 °C |
| Humidity | 5-95% relative humidity, T _v = 40°C, without condensation | | |

Probability of failure

| | |
|------|-------------|
| MTTF | 1,200 Years |
|------|-------------|

Environmental Product Compliance

| | | | |
|------------|----------------|------|--------------------------------------|
| REACH SVHC | Lead 7439-92-1 | SCIP | 9e2cbc49-76d9-4611-b8ec-5b4f549a0aa9 |
|------------|----------------|------|--------------------------------------|

Rated data UL

| | | | |
|---|--------|------------------------------------|--|
| Ambient temperature (operational), max. 60 °C | | Connection cross-section AWG, min. | AWG 26 |
| Connection cross-section AWG, max. | AWG 14 | Type of conductor | rigid copper conductor, flexible copper conductor |
| Pollution severity level | 2 | | |

Control side

| | | | |
|---|-----------------|---------------------------------------|-------------------------------------|
| Rated control voltage | 120 V UC ± 10 % | Nominal control current | 5 mA AC (±30 %), 3 mA DC (±30 %) |
| Power rating | 0.48 VA | Pull-in/drop-out voltage, typ. | 82 V / 65 V AC 86 V / 74 V DC |
| Status indicator | Green LED | Protective circuit | Rectifier |
| Coil voltage of the replacement relay deviating from the rated control voltage | Yes | Coil voltage of the replacement relay | 60 V DC |

Load side

| | | | |
|--|--------------------------------------|--|---------------------|
| Rated switching voltage | 3... 48 V DC | Continuous current | 100 mA |
| Rated switching current | 100 mA | Switch-on delay | < 6.5 ms |
| Switch-off delay | < 10 ms | Voltage drop at max. load | ≤ 1 V |
| Leakage current | < 10 µA | Min. switching current | 500 µA |
| Short-circuit-proof | No | Protective circuit, load side | Free-wheeling diode |
| Contact type | 1 NO contact (Bipolar transistor) | max. switching frequency (AC control voltage) | 3 Hz |
| max. switching frequency (DC control voltage) | 3 Hz | | |

General data

| | |
|-----------------------|-------|
| Rail | TS 35 |
| Test button available | No |
| Colour | black |

Creation date September 16, 2022 12:23:56 AM CEST

Catalogue status 09.09.2022 / We reserve the right to make technical changes.

2

TOZ 120VUC 48VDC0,1A

Weidmüller Interface GmbH & Co. KG

Klingenbergstraße 26

D-32758 Detmold

Germany

www.weidmueller.com

Technical data

| | | |
|------------------------------------|--------------------------|----------------|
| UL94 flammability rating component | Component | Housing |
| | UL94 flammability rating | V-0 |
| | Component | Retaining clip |
| | UL94 flammability rating | V-0 |

Insulation coordination

| | | | |
|--|-----------------------|---|------------------------------|
| Rated voltage | 300 V | Pollution severity | 2 |
| Surge voltage category | III | Clearance and creepage distances for control side - load side | ≥ 5.5 mm |
| Dielectric strength for control side - load side | 2.5 kV _{eff} | Dielectric strength to mounting rail | 4 kV _{eff} / 1 Min. |
| Impulse withstand voltage | 6 kV (1.2/50 μs) | Protection degree | IP20 |

Further details of approvals / standards

| | | | |
|-------------------------|------------|-------------------------|---------|
| Certificate No. (DNVGL) | TAA00001E5 | Certificate no. (cULus) | E141197 |
|-------------------------|------------|-------------------------|---------|

Connection data

| | | | |
|---|--------------------------|---|----------------------|
| Wire connection method | Tension-clamp connection | Stripping length, rated connection | 8 mm |
| Clamping range, rated connection | 1.5 mm ² | Clamping range, min. | 0.14 mm ² |
| Clamping range, max. | 2.5 mm ² | Wire connection cross section AWG, min. | AWG 26 |
| Wire connection cross section AWG, max. | AWG 14 | Wire cross-section, solid, min. | 0.14 mm ² |
| Wire cross-section, solid, max. | 2.5 mm ² | Wire cross-section, solid, min. (AWG) | AWG 26 |
| Wire cross-section, solid, max. (AWG) | AWG 14 | Wire connection cross section, finely stranded, min. | 0.14 mm ² |
| Wire connection cross section, finely stranded, max. | 2.5 mm ² | Wire cross-section, finely stranded, min. (AWG) | AWG 26 |
| Wire cross-section, finely stranded, max. (AWG) | AWG 14 | Wire connection cross-section, finely stranded with wire-end ferrules DIN 46228/4, min. | 0.14 mm ² |
| Wire connection cross-section, finely stranded with wire-end ferrules DIN 46228/4, max. | 1.5 mm ² | Conductor cross-section, flexible, AEH (DIN 46228-1), min. | 0.14 mm ² |
| Conductor cross-section, flexible, AEH (DIN 46228-1), max. | 1.5 mm ² | Twin wire-end ferrules, min. | 0.5 mm ² |
| Twin wire-end ferrules, max. | 1 mm ² | Blade size | 0.6 x 3.5 mm |
| Gauge to IEC 60947-1 | A1, B1 | | |

Classifications

| | | | |
|-------------|-------------|-------------|-------------|
| ETIM 6.0 | EC001504 | ETIM 7.0 | EC001504 |
| ETIM 8.0 | EC001504 | ECLASS 9.0 | 27-37-16-04 |
| ECLASS 9.1 | 27-37-16-04 | ECLASS 10.0 | 27-37-16-04 |
| ECLASS 11.0 | 27-37-16-04 | ECLASS 12.0 | 27-37-16-04 |

Approvals

Approvals



| | |
|-------------------------|------------|
| ROHS | Conform |
| UL File Number Search | UL Website |
| Certificate no. (cULus) | E141197 |

Creation date September 16, 2022 12:23:56 AM CEST

Catalogue status 09.09.2022 / We reserve the right to make technical changes.

Data sheet**TOZ 120VUC 48VDC0,1A****Weidmüller Interface GmbH & Co. KG**
Klingenbergstraße 26
D-32758 Detmold
Germany

www.weidmueller.com

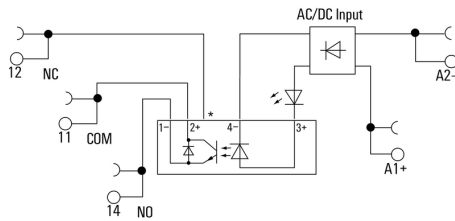
Technical data**Downloads**

| | |
|---|---|
| Approval/Certificate/Document of Conformity | EU Konformitätserklärung / EU Declaration of Conformity |
| Engineering Data | CAD data – STEP |
| Engineering Data | EPLAN, WSCAD |
| User Documentation | Beipackzettel / Package Insert – multilingual |
| Catalogues | Catalogues in PDF-format |
| Brochures | |

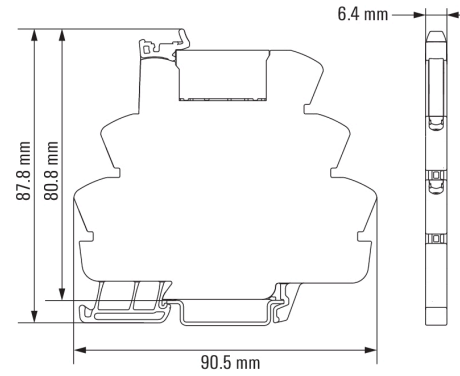
TOZ 120VUC 48VDC0,1A

Weidmüller Interface GmbH & Co. KG
Klingenbergstraße 26
D-32758 Detmold
Germany

www.weidmueller.com

Drawings**Wiring diagram**

*Contact is assembled in socket but not used with solid-state relays

Dimensional drawing

X-ON Electronics

Largest Supplier of Electrical and Electronic Components

Click to view similar products for [Solid State Relays - Industrial Mount](#) category:

Click to view products by [Weidmuller](#) manufacturer:

Other Similar products are found below :

[D2440-C](#) [H10CA4890](#) [H10CD4890](#) [D4840B](#) [D4875C](#) [1395831-1](#) [SE-K4EN](#) [A-1326](#) [H10CA4850](#) [H12CA4890VL](#) [RA2410-D06](#)
[RA2410HA06T](#) [TD1205](#) [D53TP50-10](#) [W230E-1-12](#) [W230T-3-12](#) [1-1617030-3](#) [MS2-D2420](#) [MS2-D2430](#) [A-1440](#) [G3TAOD201SDC24](#) [1-](#)
[1617033-0](#) [G3SD-Z01P-PE](#) [DC24](#) [SMT8628521](#) [ESUC0480](#) [SRH3-1440R](#) [XKA70420](#) [G3PH-5150BAC100-240](#) [GN325DSZH](#)
[GN350ASZH](#) [GN325ASZH](#) [GN350DSZH](#) [1109564](#) [G3NB-225B-1](#) [DC5-24](#) [GNRD06CDL](#) [GN325DSRH](#) [GNR25DCZH](#) [52511](#) [CWH-62-](#)
[WO](#) [E-1048-8I4-C3D4V1-4U3-10A](#) [E-1048-8I4-C3D1V0-4U3-5A](#) [RGC1P60CM25KEN](#) [48ATE3S00X204](#) [48BTG3S00X204](#) [GNR25ACZH](#)
[RA4025H10PCS](#) [RKD2A60D50P](#) [RK2A60D50P](#) [RK2A60D75P](#) [PVG612](#)