

## TERMSERIES TOZ 24VDC 230VAC1A

**Weidmüller Interface GmbH & Co. KG**  
 Klingenbergstraße 16  
 D-32758 Detmold  
 Germany  
 Fon: +49 5231 1429-0  
 Fax: +49 5231 14292083  
 www.weidmueller.com



TERMSERIES complete solid-state relay modules 12 to 275 V AC 1 A output versions consisting of a solid-state relay and a base with DC or UC input; available in different designs:

- With tension-clamp connection
- In 12.8 mm width
- Optionally with multiple-voltage input: 24 to 230 V UC
- Optionally with free-wheel diode on input
- Illuminated ejection lever

### General ordering data

Type	TOZ 24VDC 230VAC1A
Order No.	<a href="#">1127700000</a>
Version	TERMSERIES, solid-state relays, 1 NO contact (Triac (zero-cross switch)), Rated control voltage: 24 V DC $\pm 20\%$ , Rated switching voltage: 12...275 V AC, Continuous current: 1 A, Tension clamp connection
GTIN (EAN)	4032248909391
Qty.	10 pc(s).

**TERMSERIES**  
**TOZ 24VDC 230VAC1A**

**Weidmüller Interface GmbH & Co. KG**  
 Klingenbergstraße 16  
 D-32758 Detmold  
 Germany  
 Fon: +49 5231 1429-0  
 Fax: +49 5231 14292083  
 www.weidmueller.com

**Technical data**
**Dimensions and weights**

Width	12.8 mm	Width (inches)	0.504 inch
Height	90.5 mm	Height (inches)	3.563 inch
Depth	87.8 mm	Depth (inches)	3.457 inch
Weight	59.5 g	Net weight	51.8 g

**Temperatures**

Humidity	5–95% rel. humidity, $T_u = 40^\circ\text{C}$ , no condensation	Operating temperature	-20 °C...60 °C
Storage temperature	-40 °C...85 °C		

**Probability of failure**

MTTF	1,109 Years
------	-------------

**Control side**

Rated control voltage	24 V DC $\pm 20\%$	Nominal control current	10 mA DC $\pm 20\%$
Power rating	240 mW	Cut-in / dropout voltage	15 V / 5 V DC
Status indicator	Green LED	Protective circuit	Free-wheel diode, Reverse polarity protection
Coil voltage of the replacement relay deviating from the rated control voltage	No	Coil voltage of the replacement relay	24 V DC

**Load side**

Rated switching voltage	12...275 V AC	Continuous current	1 A
Rated switching current	1 A	Inrush current	15 A / 10 ms
Switch-on delay	< 1 ms	Switch-off delay	< 4 ms
Voltage drop at max. load	$\leq 1.1\text{ V}$	Leakage current	< 1.5 mA
Min. switching current	50 mA	Short-circuit-proof	No
Protective circuit, load side	RC element	Output voltage frequency range	50 / 60 Hz
max. switching frequency (DC control voltage)	3 Hz		

**Contact data**

Contact type	1 NO contact (Triac (zero-cross switch))
--------------	--

**General data**

Mounting rail	TS 35	UL 94 flammability rating	V-0
---------------	-------	---------------------------	-----

**Insulation coordination**

Rated voltage	300 V	Pollution severity	2
Surge voltage category	III	Clearance and creepage distances for control side - load side	$\geq 5.5\text{ mm}$
Dielectric strength for control side - load side	2.5 kV <sub>eff</sub>	Dielectric strength to mounting rail	4 kV <sub>eff</sub> / 1 min.
Impulse withstand voltage	6 kV (1.2/50 $\mu\text{s}$ )	Protection degree	IP20

**TERMSERIES**  
**TOZ 24VDC 230VAC1A**

**Weidmüller Interface GmbH & Co. KG**  
 Klingenbergstraße 16  
 D-32758 Detmold  
 Germany  
 Fon: +49 5231 1429-0  
 Fax: +49 5231 14292083  
 www.weidmueller.com

**Technical data**
**Further details of approvals / standards**

Standards	DIN EN 50178	Certificate No. (GERMLLOYD)	47053-12
-----------	--------------	-----------------------------	----------

**Connection data**

Wire connection method	Tension clamp connection	Stripping length, rated connection	8 mm
Clamping range, rated connection	1.5 mm <sup>2</sup>	Clamping range, rated connection, min.	0.14 mm <sup>2</sup>
Clamping range, rated connection, max.	2.5 mm <sup>2</sup>	Wire connection cross section AWG, min.	AWG 26
Wire connection cross section AWG, max.	AWG 14	Wire cross-section, solid, min.	0.14 mm <sup>2</sup>
Wire cross-section, solid, max.	2.5 mm <sup>2</sup>	Wire connection cross-section, finely stranded, min.	0.14 mm <sup>2</sup>
Wire connection cross section, finely stranded, max.	2.5 mm <sup>2</sup>	Wire cross-section, finely stranded, min. (AWG)	AWG 26
Wire cross-section, finely stranded, max. (AWG)	AWG 14	Cross-section for connected conductor, finely stranded with wire-end ferrules and plastic collars DIN 46228/4, rated connection, min.	0.14 mm <sup>2</sup>
Wire connection cross-section, finely stranded with wire-end ferrules and plastic collars DIN 46228/4, rated connection, max.	1.5 mm <sup>2</sup>	Conductor cross-section, flexible, AEH (DIN 46228-1), min.	0.14 mm <sup>2</sup>
Conductor cross-section, flexible, AEH (DIN 46228-1), max.	1.5 mm <sup>2</sup>	Blade size	0.6 x 3.5 mm
Gauge to IEC 60947-1	A1, B1		

**Classifications**

ETIM 4.0	EC001504	ETIM 5.0	EC001504
ETIM 6.0	EC001504	eClass 6.2	27-27-09-90
eClass 7.1	27-27-09-90	eClass 8.1	27-27-09-90
eClass 9.0	27-27-09-90	eClass 9.1	27-37-16-04

**Product information**

Descriptive text ordering data	Spare solid-state relay Type: SSR 10 - 32 VDC/ 12 - 275 VAC 3A Orderno.: 1132290000
Descriptive text technical data	Accessories and dimensional drawings: refer to the TERMSERIES Accessories page.

**Approvals**

Approvals



ROHS Conform

**Downloads**

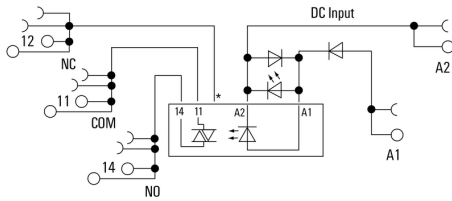
Approval/Certificate/Document of Conformity	<a href="#">DE_PA_5600_160229_002.pdf</a>
Brochure/Catalogue	<a href="#">CAT 4.2 ELECTR 15/16 EN</a>
Engineering Data	<a href="#">EPLAN_WSCAD</a>
User Documentation	<a href="#">Operating Instructions</a>

Creation date August 31, 2017 10:22:40 PM CEST

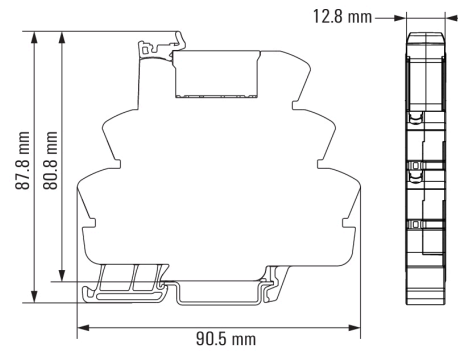
Catalogue status 25.08.2017 / We reserve the right to make technical changes.

**TERMSERIES  
TOZ 24VDC 230VAC1A**

**Weidmüller Interface GmbH & Co. KG**  
Klingenbergstraße 16  
D-32758 Detmold  
Germany  
Fon: +49 5231 1429-0  
Fax: +49 5231 14292083  
www.weidmueller.com

**Drawings****Circuit diagram**

\*Contact is assembled in socket but not used with solid-state relays

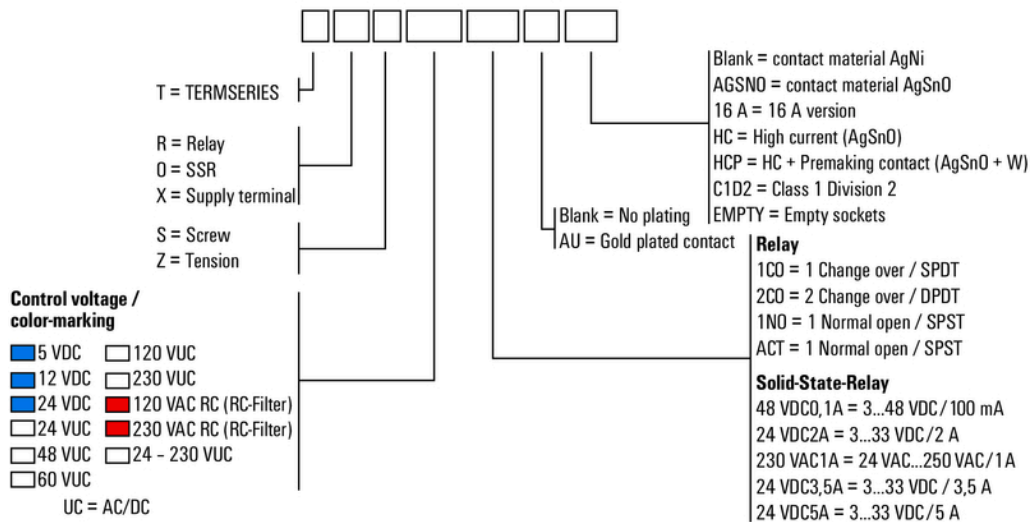
**Dimensional drawing**

**TERMSERIES  
TOZ 24VDC 230VAC1A**

**Weidmüller Interface GmbH & Co. KG**  
 Klingenbergstraße 16  
 D-32758 Detmold  
 Germany  
 Fon: +49 5231 1429-0  
 Fax: +49 5231 14292083  
 www.weidmueller.com

**Drawings**

**Miscellaneous**



Type codes

## X-ON Electronics

Largest Supplier of Electrical and Electronic Components

*Click to view similar products for [Solid State Relays - Industrial Mount](#) category:*

*Click to view products by [Weidmuller](#) manufacturer:*

Other Similar products are found below :

[D2440-C](#) [H10CA4890](#) [D4875C](#) [1395831-1](#) [1616010-6](#) [BR312BY](#) [A-1326](#) [H10CA4850](#) [H12CA4890VL](#) [RA2410-D06](#) [RA2410HA06T](#)  
[W230E-1-12](#) [W230T-3-12](#) [1-1617030-3](#) [MS2-D2420](#) [MS2-D2430](#) [A-1440](#) [RN1F48I50](#) [G3SD-Z01P-PE DC24](#) [RN1F12V50](#) [RJ1P60V30E](#)  
[SMT8628521](#) [ESUC0480](#) [SAL962360](#) [G3PH-5150B DC5-24](#) [G3PH-5150BAC100-240](#) [1548740-1](#) [GN325DSZH](#) [GN350ASZH](#)  
[GN325ASZH](#) [GN350DSZH](#) [RKD2A60D50P](#) [RK2A60D50P](#) [RK2A60D75P](#) [PVG612](#) [CPC1008N](#) [RGC1A23D15KKE](#) [RGC1A60D25KKE](#)  
[RGC1A60D30KGU](#) [RGC1A60D30KKE](#) [RGC1A60D40KGE](#) [RGC2A60D25KKE](#) [RGC2P60V25C1DM](#) [RM1A23D50](#) [RM1A48D50](#)  
[RM1A48D75](#) [RM1A60A25](#) [RM1A60A50](#) [RM1A60D25](#) [RM1A60D50](#)