

**IE-PS-RJ45-FH-BK-A****Weidmüller Interface GmbH & Co. KG**

Klingenbergstraße 26

D-32758 Detmold

Germany

www.weidmueller.com



RJ45 plug-in connector (tool-less) according to IEC 60603-7-51 for wire outer diameters up to 1.6 mm

**General ordering data**

Version	RJ45 IDC plug, Cat.6A / Class E <sub>A</sub> (ISO/IEC 11801 2010), 8-core, EIA/TIA T568 A
Order No.	<a href="#">1132040000</a>
Type	IE-PS-RJ45-FH-BK-A
GTIN (EAN)	40322489 12155
Qty.	10 pc(s).

Creation date January 8, 2022 4:29:24 PM CET

Catalogue status 17.12.2021 / We reserve the right to make technical changes.

**IE-PS-RJ45-FH-BK-A****Weidmüller Interface GmbH & Co. KG**

Klingenbergstraße 26

D-32758 Detmold

Germany

www.weidmueller.com

**Technical data****Dimensions and weights**

Net weight 19.8 g

**Temperatures**

Operating temperature -40 °C...70 °C

**General data**

Fire load	77 kJ	Halogen	No
Material locking lever	PA UL94-V0	Material strain relief	PA UL94-V0
Connection 1	RJ45	Connection 2	IDC
Wiring	8-core, EIA/TIA T568 A	Speed	10 GBit/s
Insulation cross-section, min.	0.85	Insulation cross-section, max.	1.6
Category	Cat.6 <sub>A</sub> / Class E <sub>A</sub> (ISO/IEC 11801 2010)	Contact material	Phosphorus bronze
Connection diameter, solid	0.41...0.64	Conductor connection cross-section, solid (AWG)	AWG 26/1...AWG 22/1
Conductor connection cross-section, solid	0.13...0.32 mm <sup>2</sup>	Connection diameter, flexible	0.48...0.76 mm
Conductor connection cross-section, flexible (AWG)	AWG 26/7...AWG 22/7	Wire connection cross section, finely stranded, min.	0.141 mm <sup>2</sup>
Conductor connection cross-section, flexible	0.14...0.35 mm <sup>2</sup>	Conductor connection cross-section, extremely flexible	, Approval of the cable by Weidmüller necessary
Conductor connection cross-section, extremely flexible (AWG)	, Approval of the cable by Weidmüller necessary	Note, very finely stranded line connection	Approval of the cable by Weidmüller necessary
MICE classification M	M <sub>1</sub>	MICE classification I	I <sub>1</sub>
MICE classification C	C <sub>1</sub>	MICE classification E	E <sub>3</sub>
Sheath diameter, min.	5.5 mm	Sheath diameter, max.	8.5 mm
Shielding	360°; all-round enclosure	Protection degree	IP20
Insertion force	≤ 30 N	Material insulator	PA UL94-V0
Ability to reconnect	≥ 10 cycles (for the same or larger cross-section)		

**Electrical properties**

Contact resistance	≤ 20 mΩ	Current-carrying capacity at 50 °C	1 A
Dielectric strength, contact / contact	≥ 1000 V DC	Dielectric strength, contact / shield	≥ 1500 V DC
PoE / PoE+	conforming to IEEE 802.3at		

**General standards**

Application-specific communication cable facilities	PROFINET installation instructions	Certificate no. (cULus)	E316369
Connector standard	IEC 60603-7-51	IP protection classes	IEC 60529
UL standard for communication accessories	UL 1863		

**Classifications**

ETIM 6.0	EC001121	ETIM 7.0	EC001121
ETIM 8.0	EC001121	ECLASS 9.0	27-44-03-90
ECLASS 9.1	27-44-03-90	ECLASS 10.0	27-44-03-90
ECLASS 11.0	27-44-03-90		

Creation date January 8, 2022 4:29:24 PM CET

Catalogue status 17.12.2021 / We reserve the right to make technical changes.

2

## IE-PS-RJ45-FH-BK-A

**Weidmüller Interface GmbH & Co. KG**  
Klingenbergstraße 26  
D-32758 Detmold  
Germany

[www.weidmueller.com](http://www.weidmueller.com)

# Technical data

## Approvals

Approvals



ROHS	Conform
UL File Number Search	E316369

## Downloads

Approval/Certificate/Document of Conformity	<a href="#">DUXR.E316369</a> <a href="#">CC-Link IE-PS-RJ45-FH-BK</a>
Engineering Data	<a href="#">EPLAN, WSCAD, Zuken E3.S</a>
User Documentation	<a href="#">MAN IE GUIDE DE</a> <a href="#">MAN IE GUIDE EN</a> <a href="#">Manual</a>
Catalogues	<a href="#">Catalogues in PDF-format</a>
Brochures	<a href="#">MB FREECONCONTACT EN</a> <a href="#">FL FIELDWIRING EN</a> <a href="#">PI PROFINET CABLING EN</a> <a href="#">PI PROFINET CABLING EN</a>

**IE-PS-RJ45-FH-BK-A**

**Weidmüller Interface GmbH & Co. KG**  
Klingenbergstraße 26  
D-32758 Detmold  
Germany

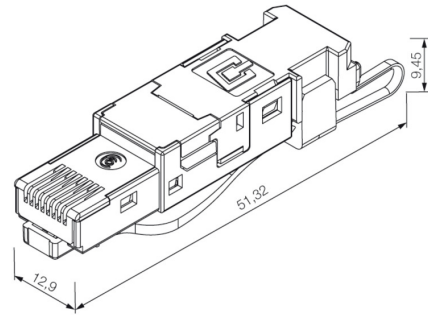
[www.weidmueller.com](http://www.weidmueller.com)

**Drawings**

**Printing**



**Dimensioned drawing**



## IE-PS-RJ45-FH-BK-A

Weidmüller Interface GmbH &amp; Co. KG

Klingenbergstraße 26

D-32758 Detmold

Germany

www.weidmueller.com

## Accessories

## Pressing tool



When working with live voltages, you must follow special guidelines and use special tools - tools which have been specially produced and tested for this purpose.

Weidmüller offers a complete line of pliers which comply with national and international testing standards.

All pliers are produced and tested according to DIN EN 60900.

The pliers are ergonomically designed to fit to the hand form, and thus feature an improved hand position. The fingers are not pressed together - this results in less fatigue during operation.

## General ordering data

Type	PWZ RJ45	Version	
Order No.	<a href="#">1118040000</a>	Pressing tools	
GTIN (EAN)	4032248899197		
Qty.	1 pc(s).		

## Coloured strain relief



For identifying your IP20 RJ45 plugs, which can be assembled on-site, in 6 different colours

## General ordering data

Type	IE-CR-IP20-RJ45-FH-GY	Version	
Order No.	<a href="#">1963060000</a>	Industrial Ethernet, Colour coding ring, grey, Strain relief, grey	
GTIN (EAN)	4032248645244		
Qty.	10 pc(s).		
Type	IE-CR-IP20-RJ45-FH-OG	Version	
Order No.	<a href="#">1963070000</a>	Industrial Ethernet, Colour coding ring, orange, Strain relief, orange	
GTIN (EAN)	4032248645251		
Qty.	10 pc(s).		
Type	IE-CR-IP20-RJ45-FH-YE	Version	
Order No.	<a href="#">1963090000</a>	Industrial Ethernet, Colour coding ring, yellow, Strain relief, yellow	
GTIN (EAN)	4032248645275		
Qty.	10 pc(s).		
Type	IE-CR-IP20-RJ45-FH-WH	Version	
Order No.	<a href="#">1963050000</a>	Industrial Ethernet, Colour coding ring, white, Strain relief, white	
GTIN (EAN)	4032248645237		
Qty.	10 pc(s).		
Type	IE-CR-IP20-RJ45-FH-BU	Version	
Order No.	<a href="#">1963080000</a>	Industrial Ethernet, Colour coding ring, blue, Strain relief, blue	
GTIN (EAN)	4032248645268		
Qty.	10 pc(s).		

Creation date January 8, 2022 4:29:24 PM CET

Catalogue status 17.12.2021 / We reserve the right to make technical changes.

**Data sheet****IE-PS-RJ45-FH-BK-A**

**Weidmüller Interface GmbH & Co. KG**  
Klingenbergstraße 26  
D-32758 Detmold  
Germany

[www.weidmueller.com](http://www.weidmueller.com)

**Accessories**

Type	IE-CR-IP20-RJ45-FH-GN	Version	
Order No.	<a href="#">1963100000</a>	Industrial Ethernet, Colour coding ring, green, Strain relief, green	
GTIN (EAN)	4032248645282		
Qty.	10 pc(s).		

**Dust caps**

For protecting your devices against dust and dirt.

**Dust caps****General ordering data**

Type	IE-PP-RJ45		
Order No.	<a href="#">2552580000</a>		
GTIN (EAN)	4050118562583		
Qty.	10 pc(s).		

## X-ON Electronics

Largest Supplier of Electrical and Electronic Components

*Click to view similar products for [Modular Connectors](#) / [Ethernet Connectors](#) category:*

*Click to view products by [Weidmuller](#) manufacturer:*

Other Similar products are found below :

[8949-H88/06BLKA/SN](#) [74441-0010/BKN](#) [PHP-6P6C-5](#) [GAX-3-66](#) [GAX-8-62](#) [GDCX-PN-66](#) [GLX-A-44](#) [GLX-N-1010M-BLK](#) [GMX-SMT4-N-88](#) [GSGX-N-2-88](#) [GSGX-N-4-88](#) [GSX-NS2-88-3.05](#) [GSX-NS-88-3.68](#) [PT-108A-8C-UL](#) [PTS-J531-8CS-50UL](#) [A-2014-0-4](#) [GWLX-S9-88-YG](#) [DC-1021-8-WH-6](#) [1300530003](#) [1324640-4](#) [RJ11FTVC2G](#) [RJ11FTVC2N](#) [RJFTVX2SA1G](#) [132764-001](#) [1413235](#) [MPS88RX-5000](#) [E5288-S000K3-L](#) [155302-001](#) [AX101050](#) [AX101063](#) [AX101065](#) [AX101072](#) [AX101307](#) [AX101315](#) [AX101318](#) [AX102271](#) [AX102282](#) [AX102288](#) [AX102651](#) [AX102660](#) [AX103259](#) [AX104024](#) [J0012D21NL](#) [J0026D01ENL](#) [PC4D0018P](#) [8949-B88/6](#) [2-6609208-5](#) [937-SP-3088-2PC-A192](#) [303066VFL](#) [303068V](#)