

**Industrial Ethernet
IE-PS-RJ45-FH-BK-A**

Weidmüller Interface GmbH & Co. KG
Klingenbergstraße 16
D-32758 Detmold
Germany
Fon: +49 5231 14-0
Fax: +49 5231 14-292083
www.weidmueller.com



RJ45 plug-in connector (tool-less) according to IEC 60603-7-51 for wire outer diameters up to 1.6 mm

General ordering data

Type	IE-PS-RJ45-FH-BK-A
Order No.	1132040000
Version	RJ45 plug, no tools required, Cat.6 _A / Class E _A (ISO/IEC 11801 2010), 8-core, EIA/TIA T568 A
GTIN (EAN)	4032248912155
Qty.	10 pc(s).

**Industrial Ethernet
IE-PS-RJ45-FH-BK-A**

Weidmüller Interface GmbH & Co. KG
Klingenbergstraße 16
D-32758 Detmold
Germany
Fon: +49 5231 14-0
Fax: +49 5231 14-292083
www.weidmueller.com

Technical data
Dimensions and weights

Net weight 25.5 g

Temperatures

Operating temperature, max.	70 °C	Operating temperature, min.	-40 °C
Operating temperature	-40 °C...70 °C	Storage temperature	
Installation temperature			

Environmental Product Compliance

REACH SVHC Lead 7439-92-1

General data

Fire load	77 kJ	Halogen	No
Connection 1	RJ45	Connection 2	IDC
Wiring	8-core, EIA/TIA T568 A	Housing main material	Zinc diecast
Speed	10 GBit/s	Insulation cross-section, min.	0.85 mm
Insulation cross-section, max.	1.6 mm	Category	Cat.6 _A / Class E _A (ISO/IEC 11801 2010)
Contact material	Phosphorus bronze	Contact surface	Gold over nickel
Connection diameter, solid	0.41...0.64 mm	Conductor connection cross-section, solid (AWG)	AWG 26/1...AWG 22/1
Wire cross-section, solid, min.	0.128 mm ²	Wire cross-section, solid, max.	0.324 mm ²
Conductor connection cross-section, solid	0.13...0.32 mm ²	Connection diameter, flexible	0.48...0.76 mm
Conductor connection cross-section, flexible (AWG)	AWG 26/7...AWG 22/7	Wire connection cross-section, finely stranded, min.	0.141 mm ²
Wire connection cross section, finely stranded, max.	0.355 mm ²	Conductor connection cross-section, flexible	0.14...0.35 mm ²
Conductor connection cross-section, extremely flexible	, Approval of the cable by Weidmüller necessary	Conductor connection cross-section, extremely flexible (AWG)	, Approval of the cable by Weidmüller necessary
MICE classification M	M ₁	MICE classification I	I ₁
MICE classification C	C ₁	MICE classification E	E ₃
Sheath diameter, min.	5.5 mm	Sheath diameter, max.	8.5 mm
Shielding	360°; all-round enclosure	Protection degree	IP20
Insertion force	≤ 30 N	Plugging cycles	750
Material insulator	PA UL94-V0	Ability to reconnect	≥ 10 cycles (for the same or larger cross-section)

Electrical properties

Contact resistance	≤ 20 mΩ	Current-carrying capacity at 50 °C	1 A
Dielectric strength, contact / contact	≥ 1000 V DC	Dielectric strength, contact / shield	≥ 1500 V DC
Insulation strength	> 500 MΩ	PoE / PoE+	conforming to IEEE 802.3at

**Industrial Ethernet
IE-PS-RJ45-FH-BK-A**

Weidmüller Interface GmbH & Co. KG
 Klingenbergstraße 16
 D-32758 Detmold
 Germany
 Fon: +49 5231 14-0
 Fax: +49 5231 14-292083
 www.weidmueller.com

Technical data**Standards**

Generic communication cable facilities	ANSI / TIA / EIA-568-B.2-10, DIN EN 61918 Draft 02.2007, ISO / IEC 11801:2002, ISO / IEC 24702:2006	Application-specific communication cable facilities	PROFINET installation instructions
IP protection classes	IEC 60529	Connector standard	IEC 60603-7-5 1
UL standard for communication accessories	UL 1863	Certificate no. (cULus)	E316369

Classifications

ETIM 4.0	EC001264	ETIM 5.0	EC001264
ETIM 6.0	EC001121	eClass 6.2	27-25-05-04
eClass 7.1	27-25-05-04	eClass 8.1	19-17-01-25
eClass 9.0	27-44-03-90	eClass 9.1	27-44-03-90

Approvals

Approvals



ROHS Conform

Downloads

Approval/Certificate/Document of Conformity	DUXR.E316369 CC-Link IE-PS-RJ45-FH-BK
Brochure/Catalogue	CAT 9 IETH 15/16 EN MB FREECONCONTACT EN FL FIELDWIRING EN PI PROFINET CABLING EN
Engineering Data	EPLAN, WSCAD, Zuken E3.S
User Documentation	MAN IE GUIDE DE MAN IE GUIDE EN Manual

**Industrial Ethernet
IE-PS-RJ45-FH-BK-A**

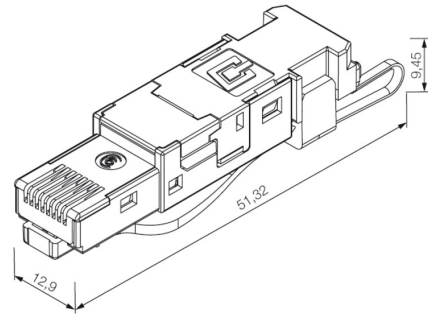
Weidmüller Interface GmbH & Co. KG
Klingenbergstraße 16
D-32758 Detmold
Germany
Fon: +49 5231 14-0
Fax: +49 5231 14-292083
www.weidmueller.com

Drawings

Printing



Dimensioned drawing



Industrial Ethernet IE-PS-RJ45-FH-BK-A

Weidmüller Interface GmbH & Co. KG
Klingenbergstraße 16
D-32758 Detmold
Germany
Fon: +49 5231 14-0
Fax: +49 5231 14-292083
www.weidmueller.com

Accessories

Pressing tool



When working with live voltages, you must follow special guidelines and use special tools - tools which have been specially produced and tested for this purpose. Weidmüller offers a complete line of pliers which comply with national and international testing standards. All pliers are produced and tested according to DIN EN 60900.

The pliers are ergonomically designed to fit to the hand form, and thus feature an improved hand position. The fingers are not pressed together - this results in less fatigue during operation.

General ordering data

Type	Order No.	Version	GTIN (EAN)	Qty.
PWZ RJ45	1118040000	Pressing tool for pressing together both housing parts for on-site assembly of the RJ45 plug	4032248899197	1 pc(s).

Coloured strain relief



For identifying your IP20 RJ45 plugs, which can be assembled on-site, in 6 different colours

General ordering data

Type	Order No.	Version	GTIN (EAN)	Qty.
IE-CR-IP20-RJ45-FH-OG	1963070000	Industrial Ethernet, Colour coding ring, orange, Strain relief, orange	4032248645251	10 pc(s).
IE-CR-IP20-RJ45-FH-YE	1963090000	Industrial Ethernet, Colour coding ring, yellow, Strain relief, yellow	4032248645275	10 pc(s).
IE-CR-IP20-RJ45-FH-WH	1963050000	Industrial Ethernet, Colour coding ring, white, Strain relief, white	4032248645237	10 pc(s).
IE-CR-IP20-RJ45-FH-GY	1963060000	Industrial Ethernet, Colour coding ring, grey, Strain relief, grey	4032248645244	10 pc(s).
IE-CR-IP20-RJ45-FH-GN	1963100000	Industrial Ethernet, Colour coding ring, green, Strain relief, green	4032248645282	10 pc(s).

Data sheet**Industrial Ethernet
IE-PS-RJ45-FH-BK-A**

Weidmüller Interface GmbH & Co. KG
Klingenbergstraße 16
D-32758 Detmold
Germany
Fon: +49 5231 14-0
Fax: +49 5231 14-292083
www.weidmueller.com

Accessories

IE-CR-IP20- [1963080000](#)
RJ45-FH-BU

Industrial Ethernet, Colour 4032248645268 10 pc(s).
coding ring, blue, Strain
relief, blue

X-ON Electronics

Largest Supplier of Electrical and Electronic Components

Click to view similar products for [Modular Connectors / Ethernet Connectors](#) category:

Click to view products by [Weidmuller](#) manufacturer:

Other Similar products are found below :

[RJE231881317T](#) [MP1010RX-1000](#) [MP44RX-1000](#) [GAX-3-66](#) [GAX-8-62](#) [93606-0253](#) [GD-A-44](#) [GDCX-PA-66-50](#) [GDCX-PN-64](#) [GDCX-PN-66](#) [GDCX-PN-66-50](#) [GDLX-A-66](#) [GDLX-A-88](#) [GDLX-N-66](#) [GDLX-S-88K](#) [GDTX-S-88-50](#) [GDX-PA-1010](#) [GLX-N-1010M-BLK](#) [GLX-N-44M](#) [GLX-S-88M-BLK](#) [GMX-N-1010](#) [GMX-S-1010](#) [GMX-S-66](#) [GMX-SMT2-N-1010](#) [GMX-SMT2-N-64-50](#) [GMX-SMT2-S6-88](#) [GMX-SMT4-N-88](#) [GPX-2-64](#) [GRT1-BT1-5](#) [GSGX-N-2-88](#) [GSX-NS2-88-3.05](#) [GSX-NS2-88-3.05-50](#) [GSX-NS-88-3.05-30](#) [GSX-NS-88-3.05-50](#) [GSX-NS-88-3.68](#) [1-1775629-2](#) [GWLX-S-88-GR](#) [GWLX-S9-88-YG](#) [1300500326](#) [1300500227](#) [1300530003](#) [1300570002](#) [1324640-4](#) [RJ11FTVC2G](#) [RJ11FTVC2N](#) [RJFTVX2SA1G](#) [132764-001](#) [1400000](#) [1413176](#) [1413235](#)