

**Industrial Ethernet  
IE-PS-RJ45-FH-BK-P**

**Weidmüller Interface GmbH & Co. KG**  
Klingenbergstraße 16  
D-32758 Detmold  
Germany  
Fon: +49 5231 14-0  
Fax: +49 5231 14-292083  
www.weidmueller.com



RJ45 plug-in connector (tool-less) according to IEC 60603-7-51 for wire outer diameters up to 1.6 mm

**General ordering data**

Type	IE-PS-RJ45-FH-BK-P
Order No.	<a href="#">1132060000</a>
Version	RJ45 plug, no tools required, Cat.5 (ISO/IEC 11801), 4-core, PROFINET
GTIN (EAN)	4032248912162
Qty.	10 pc(s).

**Industrial Ethernet  
IE-PS-RJ45-FH-BK-P**

**Weidmüller Interface GmbH & Co. KG**  
Klingenbergstraße 16  
D-32758 Detmold  
Germany  
Fon: +49 5231 14-0  
Fax: +49 5231 14-292083  
www.weidmueller.com

**Technical data**
**Dimensions and weights**

Net weight 26.4 g

**Temperatures**

Operating temperature, max.	70 °C	Operating temperature, min.	-40 °C
Operating temperature	-40 °C...70 °C	Storage temperature	
Installation temperature			

**Environmental Product Compliance**

REACH SVHC Lead 7439-92-1

**General data**

Fire load	77 kJ	Halogen	No
Connection 1	RJ45	Connection 2	IDC
Wiring	4-core, PROFINET	Housing main material	Zinc diecast
Speed	10 GBit/s	Insulation cross-section, min.	0.85 mm
Insulation cross-section, max.	1.6 mm	Category	Cat.5 (ISO/IEC 11801)
Contact material	Phosphorus bronze	Contact surface	Gold over nickel
Connection diameter, solid	0.41...0.64 mm	Conductor connection cross-section, solid (AWG)	AWG 26/1...AWG 22/1
Wire cross-section, solid, min.	0.128 mm <sup>2</sup>	Wire cross-section, solid, max.	0.324 mm <sup>2</sup>
Conductor connection cross-section, solid	0.13...0.32 mm <sup>2</sup>	Connection diameter, flexible	0.48...0.76 mm
Conductor connection cross-section, flexible (AWG)	AWG 26/7...AWG 22/7	Wire connection cross-section, finely stranded, min.	0.141 mm <sup>2</sup>
Wire connection cross section, finely stranded, max.	0.355 mm <sup>2</sup>	Conductor connection cross-section, flexible	0.14...0.35 mm <sup>2</sup>
Conductor connection cross-section, extremely flexible	, Approval of the cable by Weidmüller necessary	Conductor connection cross-section, extremely flexible (AWG)	, Approval of the cable by Weidmüller necessary
MICE classification M	M <sub>1</sub>	MICE classification I	I <sub>1</sub>
MICE classification C	C <sub>1</sub>	MICE classification E	E <sub>3</sub>
Sheath diameter, min.	5.5 mm	Sheath diameter, max.	8.5 mm
Shielding	360°; all-round enclosure	Protection degree	IP20
Insertion force	≤ 30 N	Plugging cycles	750
Material insulator	PA UL94-V0	Ability to reconnect	≥ 10 cycles (for the same or larger cross-section)

**Electrical properties**

Contact resistance	≤ 20 mΩ	Current-carrying capacity at 50 °C	1 A
Dielectric strength, contact / contact	≥ 1000 V DC	Dielectric strength, contact / shield	≥ 1500 V DC
Insulation strength	> 500 MΩ	PoE / PoE+	conforming to IEEE 802.3at

**Industrial Ethernet  
IE-PS-RJ45-FH-BK-P**

**Weidmüller Interface GmbH & Co. KG**  
 Klingenbergstraße 16  
 D-32758 Detmold  
 Germany  
 Fon: +49 5231 14-0  
 Fax: +49 5231 14-292083  
 www.weidmueller.com

**Technical data****Standards**

Generic communication cable facilities	ANSI / TIA / EIA-568-B.2-10, DIN EN 61918 Draft 02.2007, ISO / IEC 11801:2002, ISO / IEC 24702:2006	Application-specific communication cable facilities	PROFINET installation instructions
IP protection classes	IEC 60529	Connector standard	IEC 60603-7-5 1
UL standard for communication accessories	UL 1863	Certificate no. (cULus)	E316369

**Classifications**

ETIM 4.0	EC001264	ETIM 5.0	EC001264
ETIM 6.0	EC001121	eClass 6.2	27-25-05-04
eClass 7.1	27-25-05-04	eClass 8.1	19-17-01-25
eClass 9.0	27-44-03-90	eClass 9.1	27-44-03-90

**Approvals**

Approvals



ROHS Conform

**Downloads**

Approval/Certificate/Document of Conformity	<a href="#">DUXR.E316369</a> <a href="#">CC-Link IE-PS-RJ45-FH-BK</a>
Brochure/Catalogue	<a href="#">CAT 9 IETH 15/16 EN</a> <a href="#">MB FREECONCONTACT EN</a> <a href="#">FL FIELDWIRING EN</a> <a href="#">PI PROFINET CABLING EN</a>
Engineering Data	<a href="#">EPLAN, WSCAD, Zuken E3.S</a>
Product Change Notification	<a href="#">TI_20171120_RJ45PN</a>
User Documentation	<a href="#">MAN IE GUIDE DE</a> <a href="#">MAN IE GUIDE EN</a> <a href="#">Manual</a>

**Industrial Ethernet  
IE-PS-RJ45-FH-BK-P**

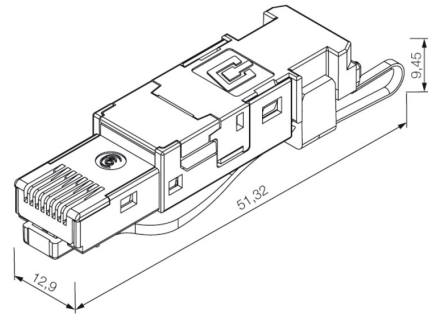
**Weidmüller Interface GmbH & Co. KG**  
Klingenbergstraße 16  
D-32758 Detmold  
Germany  
Fon: +49 5231 14-0  
Fax: +49 5231 14-292083  
[www.weidmueller.com](http://www.weidmueller.com)

**Drawings**

**Printing**



**Dimensioned drawing**



## Industrial Ethernet IE-PS-RJ45-FH-BK-P

**Weidmüller Interface GmbH & Co. KG**  
Klingenbergstraße 16  
D-32758 Detmold  
Germany  
Fon: +49 5231 14-0  
Fax: +49 5231 14-292083  
www.weidmueller.com

## Accessories

### Pressing tool



When working with live voltages, you must follow special guidelines and use special tools - tools which have been specially produced and tested for this purpose. Weidmüller offers a complete line of pliers which comply with national and international testing standards. All pliers are produced and tested according to DIN EN 60900.

The pliers are ergonomically designed to fit to the hand form, and thus feature an improved hand position. The fingers are not pressed together - this results in less fatigue during operation.

### General ordering data

Type	Order No.	Version	GTIN (EAN)	Qty.
PWZ RJ45	<a href="#">1118040000</a>	Pressing tool for pressing together both housing parts for on-site assembly of the RJ45 plug	4032248899197	1 pc(s).

### Coloured strain relief



For identifying your IP20 RJ45 plugs, which can be assembled on-site, in 6 different colours

### General ordering data

Type	Order No.	Version	GTIN (EAN)	Qty.
IE-CR-IP20-RJ45-FH-OG	<a href="#">1963070000</a>	Industrial Ethernet, Colour coding ring, orange, Strain relief, orange	4032248645251	10 pc(s).
IE-CR-IP20-RJ45-FH-YE	<a href="#">1963090000</a>	Industrial Ethernet, Colour coding ring, yellow, Strain relief, yellow	4032248645275	10 pc(s).
IE-CR-IP20-RJ45-FH-WH	<a href="#">1963050000</a>	Industrial Ethernet, Colour coding ring, white, Strain relief, white	4032248645237	10 pc(s).
IE-CR-IP20-RJ45-FH-GY	<a href="#">1963060000</a>	Industrial Ethernet, Colour coding ring, grey, Strain relief, grey	4032248645244	10 pc(s).
IE-CR-IP20-RJ45-FH-GN	<a href="#">1963100000</a>	Industrial Ethernet, Colour coding ring, green, Strain relief, green	4032248645282	10 pc(s).

**Data sheet****Industrial Ethernet  
IE-PS-RJ45-FH-BK-P**

**Weidmüller Interface GmbH & Co. KG**  
Klingenbergstraße 16  
D-32758 Detmold  
Germany  
Fon: +49 5231 14-0  
Fax: +49 5231 14-292083  
www.weidmueller.com

**Accessories**

IE-CR-IP20- [1963080000](#)  
RJ45-FH-BU

Industrial Ethernet, Colour 4032248645268 10 pc(s).  
coding ring, blue, Strain  
relief, blue

## X-ON Electronics

Largest Supplier of Electrical and Electronic Components

*Click to view similar products for [Modular Connectors](#) / [Ethernet Connectors](#) category:*

*Click to view products by [Weidmuller](#) manufacturer:*

Other Similar products are found below :

[RJE231881317T](#) [MP1010RX-1000](#) [MP44RX-1000](#) [GAX-3-66](#) [GAX-8-62](#) [93606-0253](#) [GD-A-44](#) [GDCX-PA-66-50](#) [GDCX-PN-64](#) [GDCX-PN-66](#) [GDCX-PN-66-50](#) [GDLX-A-66](#) [GDLX-A-88](#) [GDLX-N-66](#) [GDLX-S-88K](#) [GDTX-S-88-50](#) [GDX-PA-1010](#) [GLX-N-1010M-BLK](#) [GLX-N-44M](#) [GLX-S-88M-BLK](#) [GMX-N-1010](#) [GMX-S-1010](#) [GMX-S-66](#) [GMX-SMT2-N-1010](#) [GMX-SMT2-N-64-50](#) [GMX-SMT2-S6-88](#) [GMX-SMT4-N-88](#) [GPX-2-64](#) [GRT1-BT1-5](#) [GSGX-N-2-88](#) [GSX-NS2-88-3.05](#) [GSX-NS2-88-3.05-50](#) [GSX-NS-88-3.05-30](#) [GSX-NS-88-3.05-50](#) [GSX-NS-88-3.68](#) [1-1775629-2](#) [GWLX-S-88-GR](#) [GWLX-S9-88-YG](#) [1300500326](#) [1300500227](#) [1300530003](#) [1300570002](#) [1324640-4](#) [RJ11FTVC2G](#) [RJ11FTVC2N](#) [RJFTVX2SA1G](#) [132764-001](#) [1400000](#) [1413176](#) [1413235](#)