

## CH20M AD SHL 5.00/04 BK 2010

**Weidmüller Interface GmbH & Co. KG**

Klingenbergstraße 26

D-32758 Detmold

Germany

[www.weidmueller.com](http://www.weidmueller.com)

### Product image



#### The perfect platform for function and innovation:

Innovative function electronics require intelligent "packages" in order to integrate perfectly in the system environment.

The ongoing development and consistent expansion of the Weidmüller electronics housing portfolio provides a secure platform for future electronics applications whatever the design or intended use. CAD data for PCBs is provided for all enclosures. Screw and tension clamp terminals are available for all connections.

The consistent synergy between design, connection system and functionality lays the perfect foundation stone for electronics systems designed in line with market and application requirements.

Function, shape and manufacturing quality combine into a single logical unit that provides maximum reliability and operating comfort for the user.

#### General ordering data

|            |   |
|------------|---|
| Version    | Hood, OMNIMATE Housing - series CH20M black, Width: 22.5 mm |
| Order No.  | <a href="#">1221310000</a>                                  |
| Type       | CH20M AD SHL 5.00/04 BK 2010                                |
| GTIN (EAN) | 4050118004830   |
| Qty.       | 50 pc(s).   |

## CH20M AD SHL 5.00/04 BK 2010

**Weidmüller Interface GmbH & Co. KG**

Klingenbergstraße 26

D-32758 Detmold

Germany

www.weidmueller.com

## Technical data

### Dimensions and weights

|            |         |                 |            |
|------------|---------|-----------------|------------|
| Height     | 23.7 mm | Height (inches) | 0.933 inch |
| Width      | 22.5 mm | Width (inches)  | 0.886 inch |
| Net weight | 1.61 g  |                 |            |

### Temperatures

|                             |                  |          |   |
|-----------------------------|------------------|----------|---|
| Operating temperature range | -40 °C... 120 °C | Humidity | 5 - 93% rel. humidity, Tu = 40°C, no condensation |
|-----------------------------|------------------|----------|---|

### General data

|                      |       |                        |                         |
|----------------------|-------|------------------------|-------------------------|
| Colour               | black | Colour chart (similar) | RAL 9011                |
| Encapsulation option | No    | Protection degree      | IP20 in installed state |

### Material data

|                                  |           |                     |             |
|----------------------------------|-----------|---------------------|-------------|
| Comparative Tracking Index (CTI) | 600 ≤ CTI | Insulating material | PA 66 GF 30 |
| Insulating material group        | I         |                     |             |

### Classifications

|             |             |             |             |
|-------------|-------------|-------------|-------------|
| ETIM 6.0    | EC001031    | ETIM 7.0    | EC001031    |
| ETIM 8.0    | EC001031    | ECLASS 9.0  | 27-18-27-90 |
| ECLASS 9.1  | 27-18-27-90 | ECLASS 10.0 | 27-18-27-92 |
| ECLASS 11.0 | 27-18-27-92 |             |             |

### Approvals

|      |         |
|------|---------|
| ROHS | Conform |
|------|---------|

### Downloads

|                  |  |
|------------------|--|
| Engineering Data | <a href="#">CAD data – STEP</a>          |
| Engineering Data | <a href="#">EPLAN</a>                    |
| Catalogues       | <a href="#">Catalogues in PDF-format</a> |
| Brochures        |  |

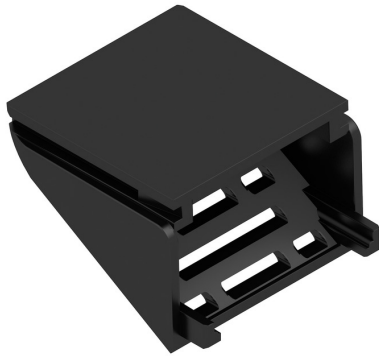
**CH20M AD SHL 5.00/04 BK 2010**

**Weidmüller Interface GmbH & Co. KG**  
Klingenbergstraße 26  
D-32758 Detmold  
Germany

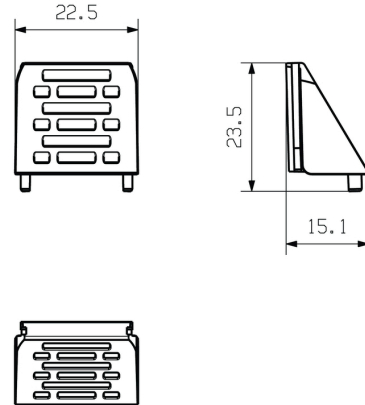
[www.weidmueller.com](http://www.weidmueller.com)

**Drawings**

**Product image**



**Dimensioned drawing**



## X-ON Electronics

Largest Supplier of Electrical and Electronic Components

*Click to view similar products for [Terminal Block Tools & Accessories](#) category:*

*Click to view products by [Weidmuller](#) manufacturer:*

Other Similar products are found below :

[00171430102](#) [00171420102](#) [600HL](#) [600RJ-07](#) [600RJ-11](#) [600RJ-14](#) [600RJS-10](#) [600RJS-12](#) [600RJS-15](#) [600RJS-21](#) [601RJ-09](#) [602SP](#) [602Z](#)  
[604J](#) [CSTSPC1-2](#) [7B941-7](#) [88943-2100](#) [QC102](#) [1437403-6](#) [1437403-9](#) [1437403-8](#) [1453128-1](#) [147832-1](#) [EC0037-000](#) [MT2/H--](#) [MT6/H-N](#)  
[MT6/V-GRND](#) [MT8/H-51-60](#) [BC2-12](#) [BCC-1-8/10](#) [EP2.5/4UN/BG](#) [1707755](#) [1735590](#) [1755480](#) [1789281](#) [1840227](#) [1840230](#) [2-1437402-1](#)  
[JA2-03](#) [JB1-03/J](#) [JB2-04](#) [JB2-05](#) [JB2-07](#) [JB2-09/J](#) [PARALLELJUMPERLINK](#) [JS601](#) [2204082](#) [2302463](#) [2305949](#) [8PCV-BUSHING](#)