

KLIPPON POK 122209 EX

Weidmüller Interface GmbH & Co. KG
 Klingenbergstraße 26
 D-32758 Detmold
 Germany

www.weidmueller.com

Similar to illustration



The Klippon® POK enclosure range is made from a high-quality glass fibre reinforced polyester and is ideal for applications and environments where corrosion resistance, impact resistance and a high IP protection class are a requirement.

Key features of the extensive product range:

- Available in 17 sizes
- Two standard finishes (colours): grey (similar to RAL 7001 for industrial use) and black (similar to RAL 9011 for harsh environments, Ex)
- Cover with stainless steel screws in cross-head / slotted design
- Moulded gasket made of silicone or chloroprene
- Fixing holes outside the sealed area to ensure high ingress protection of IP66
- Impact resistance up to 7 Joules
- Mounting directly in the enclosure or using an internal mounting plate
- Direct wall mounting possible using fixing holes or mounting feet
- Fastening thread to attach mounting rails and plates
- Up to E60 fire rating dependent on the configuration
- Weidmüller can manufacture and supply this enclosure to match customer specifications - fitted with all necessary terminals and cable glands.

General ordering data

Version	Klippon POK (polyester empty enclosure), Empty enclosure, Height: 120 mm, Width: 220 mm, Depth: 90 mm, Material: Glass fibre-reinforced polyester, untreated, polished, black
Order No.	1306070000
Type	KLIPPON POK 122209 EX
GTIN (EAN)	4050118108385
Qty.	1 pc(s).
Required tool	9008540000

KLIPPON POK 122209 EX

Weidmüller Interface GmbH & Co. KG

Klingenbergstraße 26

D-32758 Detmold

Germany

www.weidmueller.com

Technical data

Dimensions and weights

Depth	90 mm	Depth (inches)	3.543 inch
Height	120 mm	Height (inches)	4.724 inch
Height of lowest version	90 mm	Width	220 mm
Width (inches)	8.661 inch	Mounting dimension - height	82 mm
Mounting dimension - width	204 mm	Net weight	1,110 g

Temperatures

Operating temperature	-55 °C...100 °C
-----------------------	-----------------

Environmental Product Compliance

REACH SVHC	Lead 7439-92-1	SCIP	afb385d0-c52b-4449-8502-203596817ab0
------------	----------------	------	--------------------------------------

Cable glands, left

M12	8	M16	4
M20	3	M25	1
M32	1		

Cable glands, right

M12	8	M16	4
M20	3	M25	1
M32	1		

Cable glands, top/bottom

M12	24	M16	14
M20	12	M25	5
M32	4	M40	3

Certificate numbers enclosure

Approval conditions	ATEX, DNV, EAC, IECEX, LR, RMRS, UL AEx Class Div., UL AEx Class Zone, cULus, KC, CCC	Attestation of Conformity No. (AoC)	DE PS2600 160308 001ISS01
Certificate No. (ATEX)	IBEXU13ATEX1004X	Certificate No. (DNVGL)	TAE00002R2
Certificate No. (EAC)	C-DE.HB07.B.00089-20	Certificate No. (GERMLLOYD)	TAE00002R2
Certificate No. (IECEX)	IECEXIBE13.0004X	Certificate No. (LLOYDSREG)	14_20001
Certificate No. (MARITREG)	19.00109.272	Certificate no. (cULus)	E256877
Certificate no. Terminal Box (AEx)	E223792	Certificate no. Terminal Box (ATEX)	IBEXU13ATEX1004 X
Certificate no. Terminal Box (EAC)	C-DE.HB07.B.00089/20 Ex Terminal Box; C-DE.AJ54.B.00251/19 Ind. Terminal Box	Certificate no. Terminal Box (IECEX)	IECEX IBE 13.0004X
Certificate no. Terminal Box (INMETRO)	LMP 21.0021X	Certificate no. Terminal Box (KOSHA)	16-AV4BO-0246X
Certificate no. empty enclosure (AEx)	E223792	Certificate no. empty enclosure (ATEX)	IBEXU13ATEX1003 U
Certificate no. empty enclosure (IECEX)	IECEX IBE 13.0003U	Certificate no., empty enclosure (EAC)	C-DE.HB07.B.00089/20
Declaration of Conformity No. (DoC LVD)	DE_PS2600_160412_001ISS01		

KLIPPON POK 122209 EX

Weidmüller Interface GmbH & Co. KG

Klingenbergstraße 26

D-32758 Detmold

Germany

www.weidmueller.com

Technical data

General information

Access opening: height	111.22 mm	Access opening: width	111.22 mm
Areas of use	Explosive risk zone, Harbour facilities, Machine construction, Process industry, Transportation	Enclosure attachment	Installation through the housing rear wall, Fixing lugs
Flange plate	No	Impact resistance	7 J ATEX version
Lid	Yes	Lid attachment	Slotted/Phillips screws
Material	Glass fibre-reinforced polyester	Material thickness of cover	5 mm
Material thickness of enclosure	4.39 mm	Number of lid screws	4
Operating temperature, max.	100 °C	Operating temperature, min.	-55 °C
Protection class (UL)	Type 4, Type 4x	Protection degree	IP66
Seal material	Silicone	Standards	DIN EN 62208 - Empty enclosure standard, IEC 60079-0, IEC 60079-7, IEC 60079-31
Surface finish	untreated, polished	Torque for lid screws	2.5 Nm
UL 94 flammability rating	V-0		

horizontal assembly

WDU 10 / ZDU 10	1x15	WDU 16 / ZDU 16	1x13
WDU 2,5 / ZDU 2,5 / IDU 2,5	1x31	WDU 4 / ZDU 4	1x26
WDU 6 / ZDU 6	1x19		

vertical assembly

WDU 2,5 / ZDU 2,5 / IDU 2,5	*	WDU 4 / ZDU 4	*
-----------------------------	---	---------------	---

Classifications

ETIM 6.0	EC002503	ETIM 7.0	EC002503
ETIM 8.0	EC002503	ECLASS 9.0	27-18-05-02
ECLASS 9.1	27-18-05-02	ECLASS 10.0	27-18-05-02
ECLASS 11.0	27-18-05-02	ECLASS 12.0	27-18-05-02

Approvals

Approvals



ROHS	Conform
UL File Number Search	UL Website
Certificate no. (cULus)	E256877

KLIPPON POK 122209 EX**Weidmüller Interface GmbH & Co. KG**

Klingenbergstraße 26

D-32758 Detmold

Germany

www.weidmueller.com**Technical data****Downloads**

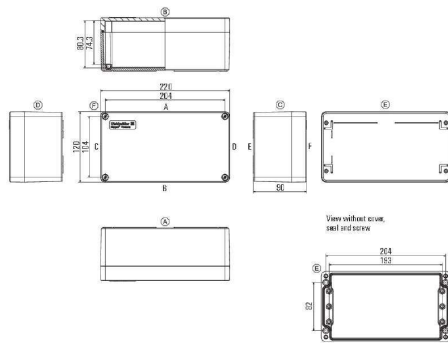
Approval/Certificate/Document of Conformity	C-DE.HB07.B.00089-Empty Enclosures and Ex. Terminal Box CCC 2020322303002628 POK Assembly Enclosure UKCA TÜV 22 UKEX 7093 X UKCA TÜV 22 UKEX 7092 U Attestation of Conformity - Klippon POK Empty Enclosures - AoC DE PS2600 160308 001ISS03 RUC-DE.BE02.B.00173 14_20001 TAE00002R2 IECEXIBE13.0004X 16-AV4B0-246X 19.00109.272 IBEXU13ATEX1003U IBEXU13ATEX1004X IECEXIBE13.0003U INMETRO CERTIFICADO LMP 21.0021X KLIPPON POK EU Declaration of Conformity - Klippon POK Empty Enclosures Ex - DoC DE PS2600 160412 001ISS02
Engineering Data	CAD data – STEP
Engineering Data	EPLAN, WSCAD
Tender specification	Klippon POK 122209 Ex_1306070000_DE Klippon POK 122209 Ex_1306070000_EN
Catalogues	Catalogues in PDF-format
Brochures	MB OVERV. PROCESS WD DE MB KLIPPON ENCL.TECN EN MB PROCESS EN FL KLIPPON POK EN FL SHIPBUILDING 2016 EN FL SHIPBUILDING 2016 EN

KLIPPON POK 122209 EX

Weidmüller Interface GmbH & Co. KG
Klingenbergstraße 26
D-32758 Detmold
Germany

www.weidmueller.com

Drawings



X-ON Electronics

Largest Supplier of Electrical and Electronic Components

Click to view similar products for [Enclosures for Industrial Automation](#) category:

Click to view products by [Weidmuller](#) manufacturer:

Other Similar products are found below :

[116-508](#) [130-008](#) [190-005](#) [2202307](#) [2901699](#) [2790318](#) [WM011RI,BK](#) [WM052I,GY](#) [WM093RI,BK](#) [5030266](#) [WM053R,BK](#) [WM032I,BK](#)
[2909989](#) [120-908](#) [150-007](#) [790-207](#) [2200095](#) [111-012](#) [127-408](#) [802-407](#) [115-401](#) [795-001](#) [790-211](#) [733-820](#) [BW67DBKCSYL](#)
[CX68DBKANG](#) [CXL68DBKAYL](#) [CXL65DBKANG](#) [BW68DBKCSBL](#) [DPH-28714-C](#) [135-007](#) [721-032](#) [1103440](#) [1037322](#) [1167159](#)
[1158978](#) [1158981](#) [1158982](#) [2202667](#) [1017444](#) [BWA-AH664](#) [100-403-91](#) [100-405-01](#) [101-003-91](#) [101-004-91](#) [101-506-01](#) [WM012I,GY](#)
[WM013I,AL](#) [WM052RI,GY](#) [WM093RI,GY](#)