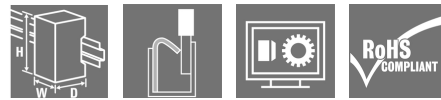


UR20-4AO-UI-16-DIAG

Weidmüller Interface GmbH & Co. KG
 Klingenbergstraße 26
 D-32758 Detmold
 Germany

www.weidmueller.com

Product image



2- or 4-wire connection; 16-bit resolution; 4 outputs

The analogue output module controls up to 4 analogue actuators with +/-10 V, +/-5 V, 0...10 V, 0...5 V, 2...10 V, 1...5 V, 0...20 mA or 4...20 mA with an accuracy of 0.05% of the measurement-range end value. An actuator with 2-, 3- or 4-wire technology can be connected to each plug-in connector. The measurement range is defined channel-by-channel using parameterisation. In addition, each channel has its own status LED.

The outputs are supplied from the output current path (U_{OUT}).

General ordering data

Version	Remote I/O module, IP20, Analog signals, Output, 4-channel, Current/Voltage
Order No.	1315730000
Type	UR20-4AO-UI-16-DIAG
GTIN (EAN)	4050118118667
Qty.	1 pc(s).
Replacement parts	1350930000 1518880000 1347330000

UR20-4AO-UI-16-DIAG

Weidmüller Interface GmbH & Co. KG

Klingenbergstraße 26

D-32758 Detmold

Germany

www.weidmueller.com

Technical data

Dimensions and weights

Depth	76 mm	Depth (inches)	2.992 inch
Height	120 mm	Height (inches)	4.724 inch
Width	11.5 mm	Width (inches)	0.453 inch
Mounting dimension - height	128 mm	Net weight	86 g

Temperatures

Storage temperature	-40 °C ... +85 °C	Operating temperature	-20 °C ... +60 °C
---------------------	-------------------	-----------------------	-------------------

Environmental Product Compliance

REACH SVHC	Lead 7439-92-1	SCIP	82327f13-cd27-455a-ab5b-a62e1996dcf8
------------	----------------	------	--------------------------------------

analogue outputs

Accuracy	±0,1 % FSR max., 0,05 % FSR typ.		
Actuator connection	2-wire (automatic detection), 4-wire		
Actuator supply	min.	0 mA	
	max.	185 mA	
	nominal	185 mA	
Cross-talk between the channels	0.001 % FSR		
Individual channel diagnosis	Yes		
Load impedance current	< 600 Ω		
Max. error between T min. and T max.	220 ppm FSR		
Module diagnosis	Yes		
Monotonicity	Yes		
Number of analogue outputs	4		
Output current as per application	max.	185 mA	
	nominal	185 mA	
	min.	0 mA	
Output variable	Voltage (0...5 V, 0...10 V, 1...5 V, 2...10 V, ±10 V, ±5 V), Current (0...20 mA or 4...20 mA)		
Repeat accuracy	< 1 mV eff.		
Resolution	16 Bit		
Response time	1 ms / 4 channels		
Short-circuit-proof	Yes		
Simultaneity factor	nominal	100 %	
	max.	100 %	
	min.	0 %	
Substitute values	Yes		
Temperature coefficient	20 ppm voltage / 31 ppm current measurement / °K		
Type	1. U (0...5 V, 0...10 V, 1...5 V, 2...10 V, ±10 V), 2. I (0-20 mA or 4-20 mA)		
load impedance voltage	> 1 kΩ (at >50 °C ambient temperature, max. total sensor current = 25 mA)		

Connection data

Type of connection	PUSH IN	Wire connection cross section, finely stranded, max.	1.5 mm ²
Wire connection cross section, finely stranded, min.	0.14 mm ²	Wire cross-section, finely stranded, max. (AWG)	AWG 16
Wire cross-section, finely stranded, min. (AWG)	AWG 26	Wire cross-section, solid, max.	1.5 mm ²
Wire cross-section, solid, max. (AWG)	AWG 16	Wire cross-section, solid, min.	0.14 mm ²
Wire cross-section, solid, min. (AWG)	AWG 26		

Creation date September 16, 2022 3:23:10 AM CEST

Catalogue status 09.09.2022 / We reserve the right to make technical changes.

2

UR20-4AO-UI-16-DIAG

Weidmüller Interface GmbH & Co. KG

Klingenbergstraße 26

D-32758 Detmold

Germany

www.weidmueller.com

Technical data

General data

Air humidity (operation)	10% to 95%, non-condensing as per DIN EN 61131-2		
Air humidity (storage)	10% to 95%, non-condensing as per DIN EN 61131-2		
Air humidity (transport)	10% to 95%, non-condensing as per DIN EN 61131-2		
Air pressure (operation)	≥ 795 hPa (height ≤ 2000 m) as per DIN EN 61131-2		
Air pressure (storage)	1013 hPa (height 0 m) to 700 hPa (height 3000 m) as per DIN EN 61131-2		
Air pressure (transport)	1013 hPa (height 0 m) to 700 hPa (height 3000 m) as per DIN EN 61131-2		
Pollution severity	2		
Rail	TS 35		
Restricted area	Type of restricted area	thermal	
		Negative expansion	Y coordinate -40 mm
		Z coordinate 0 mm	
		X coordinate -28 mm	
	Positive expansion	Z coordinate 85 mm	
	X coordinate 43 mm		
	Y coordinate 160 mm		
Shock	15 g over 11 ms, half sinus wave, acc. to IEC 60068-2-27		
Surge voltage category	II		
Test voltage	500 V		
UL 94 flammability rating	V-0		
Vibration resistance	5 Hz ≤ f ≤ 8.4 Hz: 3.5-mm amplitude as per IEC 60068-2-6, 8.4 Hz ≤ f ≤ 150 Hz: 1 g acceleration as per IEC 60068-2-6		

Power supply

Current consumption from I _{OUT} (the respective power segment)	85 mA	Current consumption from I _{sys} , typ.	8 mA
Voltage supply	24 V DC +20 %/ -15 %, via the system bus		

System data

Diagnostic data	2 Bit	Field bus protocol	CANopen, DeviceNet, EtherCAT, EtherNet/IP, Modbus/TCP, PROFINET IRT, PROFIBUS DP-V1, POWERLINK
Galvanic isolation	500 V DC between the current paths	Interface	u-remote system bus
Module type	Analogue output module	Process data	8 Byte
Transmission speed of system bus, max.	48 Mbit		

Classifications

ETIM 6.0	EC001596	ETIM 7.0	EC001596
ETIM 8.0	EC001596	ECLASS 9.0	27-24-26-01
ECLASS 9.1	27-24-26-01	ECLASS 10.0	27-24-26-01
ECLASS 11.0	27-24-26-01	ECLASS 12.0	27-24-26-01

UR20-4AO-UI-16-DIAG

Weidmüller Interface GmbH & Co. KG
 Klingenbergstraße 26
 D-32758 Detmold
 Germany

www.weidmueller.com

Technical data

Approvals

Approvals



ROHS	Conform
UL File Number Search	UL Website
Certificate no. (cULus)	E141197
Certificate no. (cULusEX)	E223527

Downloads

Approval/Certificate/Document of Conformity	Declaration of Conformity DEMKO 15ATEX1525X UKCA Declaration of Conformity - EN
Engineering Data	CAD data – STEP Compatibility information – Combinability of UR20
Engineering Data	EPLAN, WSCAD, Zuken E3.S
Product Change Notification	Release-Notes - Firmware
Software	Firmware – Archive firmware UR20-4AO-UI Firmware – Current firmware UR20-4AO-UI
User Documentation	MAN_U-REMOTE_DE MAN_U-REMOTE_EN
Catalogues	Catalogues in PDF-format

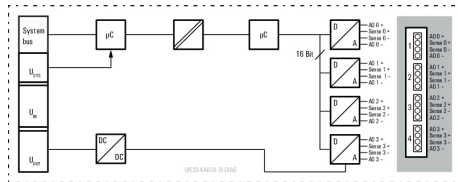
UR20-4AO-UI-16-DIAG

Weidmüller Interface GmbH & Co. KG
 Klingenbergstraße 26
 D-32758 Detmold
 Germany

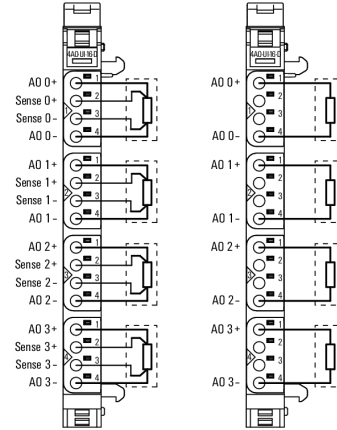
www.weidmueller.com

Drawings

Block diagram



Connection diagram



X-ON Electronics

Largest Supplier of Electrical and Electronic Components

Click to view similar products for [I/O Modules](#) category:

Click to view products by [Weidmuller](#) manufacturer:

Other Similar products are found below :

[70L-OAC-L](#) [G21960000700](#) [G34960002700](#) [G88104401](#) [IDC-5B](#) [OACU](#) [C4SWOUT](#) [FC6A-T32K3](#) [SNAP-OAC5MA](#) [FC6A-N16B3](#)
[FC6A-N32B3](#) [FC6A-T16P3](#) [G3TAOD201SDC24](#) [PB32HQ](#) [PB16T](#) [PB8](#) [PB8H](#) [C200H-OD211](#) [GT1-AD04CST](#) [GT1-DA04](#) [70GRCQ24-](#)
[HS](#) [M-OAC5](#) [G4OAC24AMA](#) [2736505](#) [6202](#) [6402](#) [IL MOD BK DI8 DO4-PAC](#) [FC6A-J2C1](#) [FC6A-KC1C](#) [FC6A-N08A11](#) [FC6A-M24BR1](#)
[FC6A-K4A1](#) [FC6A-T32P3](#) [9-1393028-2](#) [GP32900003700](#) [641-480-5022](#) [PB16H](#) [WISE-4050/LAN-B](#) [WISE-S614T-A](#) [ADAM-4068-C](#)
[56475](#) [ADAM-4017+-F](#) [ADAM-4118-C](#) [AMAX-4856-B](#) [WISE-4050-B](#) [ADAM-4051-C](#) [ADAM-4053-F](#) [GT1-AD08MX](#) [TM5SDO6TBFS](#)
[70Q3446](#)