

UC20-WL2000-AC**Weidmüller Interface GmbH & Co. KG**

Klingenbergstraße 26

D-32758 Detmold

Germany

www.weidmueller.com

Product image

For modern IoT applications, automation technology needs to be increasingly more powerful and adaptable. u-mation offers a coordinated hardware portfolio designed for the future-proof preparation of your machines and systems. u-control 2000 is one of the most compact and state-of-the-art control systems on the market and is the centrepiece of our hardware portfolio. u-control 2000 forms the basis required for use of our engineering solutions u-create web, studio and IoT. The controllers modular design is based on the remote I/O system u-remote, and allows for needs-based expansion to include other components from the u-mation family.

General ordering data

Version	Controller, IP20, AutomationController, Web-based, u-control 2000 web, integrated engineering tool: u-create web for PLC - (real-time system) & IIoT applications
Order No.	1334950000
Type	UC20-WL2000-AC
GTIN (EAN)	4050118138351
Qty.	1 pc(s).

Creation date September 16, 2022 3:58:43 AM CEST

Catalogue status 09.09.2022 / We reserve the right to make technical changes.

UC20-WL2000-AC

Weidmüller Interface GmbH & Co. KG

Klingenbergstraße 26

D-32758 Detmold

Germany

www.weidmueller.com

Technical data

Dimensions and weights

Depth	76 mm	Depth (inches)	2.992 inch
Height	120 mm	Height (inches)	4.724 inch
Width	52 mm	Width (inches)	2.047 inch
Mounting dimension - height	128 mm	Net weight	232 g

Environmental Product Compliance

REACH SVHC	Lead 7439-92-1	SCIP	b2baa72f-7638-44ad-b8eb-76854d0293dc
------------	----------------	------	--------------------------------------

Connection data

Type of connection	PUSH IN
--------------------	---------

General data

Rail	TS 35	UL 94 flammability rating	V-0
------	-------	---------------------------	-----

Power supply

Current consumption from I_{SYS} , typ.	116 mA		
Feed current for I_{IN} (input current path)	max.	5,000 mA	
	nominal	5,000 mA	
	min.	0 mA	
Feed current for I_{IN} (input current path), max.	5 A		
Feed current for I_{OUT} (output current path)	min.	0 mA	
	max.	5,000 mA	
	nominal	5,000 mA	
Feed current for I_{OUT} (output current path), max.	5 A		
Supply voltage for outputs	24 V DC +20 %/ -15 %		
Supply voltage system and inputs	24 V DC +20 %/ -15 %		

System data

Configuration interface	Micro USB 2.0	Connection type	2 x RJ45 plug-in connectors
Engineering tool	u-create web	Interface	2x Ethernet TCP/IP, 1x Micro USB
Memory (Flash)	4 GB, 32 GB via microSD	Module type	Controller
Processor	Dual Core ARM Cortex A9, 624 MHz, 512 Mbyte RAM	Programming environment	web-based
Real-time clock	Battery buffered	Transmission speed backplane bus, max.	48 Mbit
max. number of modules	64		

Classifications

ETIM 6.0	EC000236	ETIM 7.0	EC000236
ETIM 8.0	EC000236	ECLASS 9.0	27-24-22-07
ECLASS 9.1	27-24-22-07	ECLASS 10.0	27-24-22-07
ECLASS 11.0	27-24-22-07	ECLASS 12.0	27-24-22-07

UC20-WL2000-AC

Weidmüller Interface GmbH & Co. KG
 Klingenbergstraße 26
 D-32758 Detmold
 Germany

www.weidmueller.com

Technical data

Approvals

Approvals



ROHS	Conform
UL File Number Search	UL Website
Certificate no. (cULus)	E141197
Certificate no. (cULusEX)	E223527

Downloads

Approval/Certificate/Document of Conformity	RINA certificate Bureau Veritas - Type Approval Certificate Lloyd's Register - Type Approval Certificate Hazardous Locations - UL Class 1 Division 2 Group ABCD IECEX UL ATEX ABS-American Bureau Of Shipping - Certificate of PDA Declaration of Conformity
Engineering Data	Compatibility information – UC20-WL2000-AC Supported Modules List CAD data – STEP Application notes – Modbus/TCP master implementation in Node-RED Application notes – Data storage and logging to SD card Quick start guide – Modbus - Understanding Coils and Register Quick start guide – Function blocks for UR20-3EM-230V-AC Application notes – Installing and updating nodes in Node-RED Configuration tutorials – Reading data from Node-Red Configuration tutorials – Send e-mail event with IFTTT Configuration tutorials – Receive notifications from IFTTT Configuration tutorials – Data login IFTTT and Google sheets Configuration tutorials – Quick Start u-create web AC Configuration tutorials – Retain variables u-create web Configuration tutorials – u-control WL2000 easy way to notify with e-mail Configuration tutorials – MyStory u-control WL2000 smart e-mail notification Configuration tutorials – Easy use case of u-control WL2000 with OPC-UA clients Configuration tutorials – MyDashboard on u-control WL2000
Engineering Data	EPLAN
Product Change Notification	Release Notes - web
Software	Software – u-link VPN-Client Firmware – Current Firmware Firmware – Archived Firmware
User Documentation	u-link Technical User Guide u-control Handbuch (Deutsch) u-control Manual (English) Quick reference / Instruction inlay - u-control web hardware 20210504 Security Advisory - Accidentally open network port in u-controls and IoT-Gateways
Catalogues	Catalogues in PDF-format

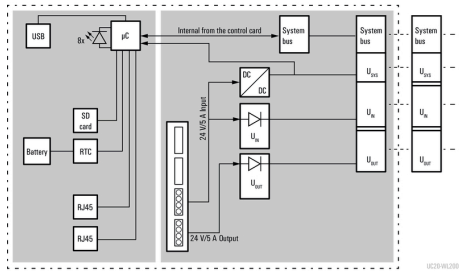
UC20-WL2000-AC

Weidmüller Interface GmbH & Co. KG
 Klingenbergstraße 26
 D-32758 Detmold
 Germany

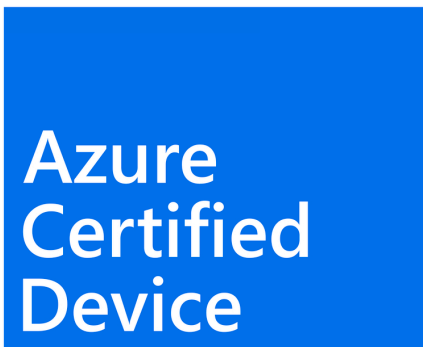
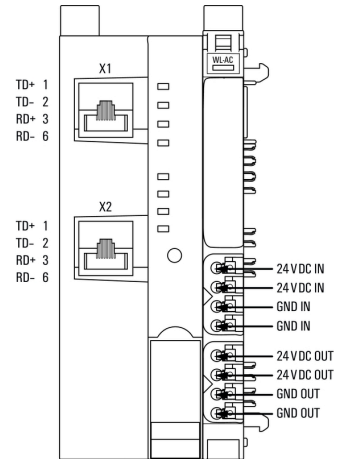
www.weidmueller.com

Drawings

Block diagram



Connection diagram



X-ON Electronics

Largest Supplier of Electrical and Electronic Components

Click to view similar products for [PLC Controllers](#) category:

Click to view products by [Weidmuller](#) manufacturer:

Other Similar products are found below :

[3G2A5PS223E](#) [CJ1M-CPU13](#) [CS1W-CN227](#) [CP1H-Y20DT-D](#) [FC6A-C16R1AE](#) [CPM2C10CDT1MD](#) [2906916](#) [2906920](#) [2906921](#) [CJ2M-MD211](#) [CS1W-OA201](#) [CJ2M-MD212](#) [CS1W-SLK11](#) [CJ2M-CPU35](#) [88980183](#) [ZEN-10C4DR-D-V2](#) [CP1H-XA40DR-A](#) [CS1W-OD262](#) [6ED1052-2FB08-0BA1](#) [88970558](#) [88974083](#) [88981133](#) [AFX00003](#) [AFX00002](#) [AFX00001](#) [DEK100-A1-A](#) [CJ2M-CPU13](#) [CP1L-EL20DR-D](#) [CP1L-L10DT-D](#) [CP1L-L20DR-D](#) [CP1L-M40DR-D](#) [88974084](#) [88974082](#) [88974081](#) [88974080](#) [88975101](#) [88975111](#) [88981103](#) [88981106](#) [CS1W-CE562](#) [CS1W-CN311](#) [CS1W-ID231](#) [CS1W-MD262](#) [CS1W-NC113](#) [FC2A-C16A4C](#) [FC5A-D12S1E](#) [FC6A-C16R1CE](#) [FC6A-C24K1CE](#) [FC6A-C24P1CE](#) [FC6A-C24R1AE](#)