

## RSV1,6 S6 GR

**Weidmüller Interface GmbH & Co. KG**

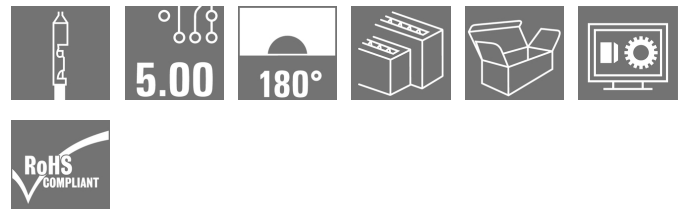
Klingenbergstraße 26

D-32758 Detmold

Germany

www.weidmueller.com

### Product image



Similar to illustration

Rectangular plug-in connector for use with crimp contacts. Can be used as universal coupling, but also with the PCB variations. The crimp contacts guarantee a high connection density. CS 1.6 or CB 1.6 contacts can be used here. The plug-in connectors can be coded and locked to the mating connector. Supplied in cardboard box.

### General ordering data

Version	PCB plug-in connector, male plug, 5.00 mm, Number of poles: 6, 180°, Crimp connection, Clamping range, max. : 3.31 mm <sup>2</sup> , Box
Order No.	<a href="#">1414100000</a>
Type	RSV1,6 S6 GR
GTIN (EAN)	4008190103835
Qty.	25 pc(s).
Product data	IEC: 630 V / 17 A UL: 600 V / 10 A / AWG 26 - AWG 12
Packaging	Box

Creation date January 23, 2022 10:31:40 PM CET

## RSV1,6 S6 GR

Weidmüller Interface GmbH &amp; Co. KG

Klingenbergstraße 26

D-32758 Detmold

Germany

www.weidmueller.com

## Technical data

## Dimensions and weights

Net weight	6.61 g
------------	--------

## System Parameters

Product family		Type of connection	
	OMNIMATE Signal - series RSV		Field connection
Wire connection method	Crimp connection	Pitch in mm (P)	5 mm
Pitch in inches (P)	0.197 inch	Conductor outlet direction	180°
Number of poles	6	L1 in mm	10 mm
L1 in inches	0.394 inch	Number of rows	1
Pin series quantity	2	Touch-safe protection acc. to DIN VDE 57 106	Safe from finger touch, plugged
Touch-safe protection acc. to DIN VDE 0470	IP20 plugged	Stripping length	4 mm
Plugging cycles	25	Plugging force/pole, max.	9 N
Pulling force/pole, max.	18 N		

## Material data

Insulating material		Colour	
	PA		Pebble grey
Colour chart (similar)	RAL 7032	Insulating material group	I
Comparative Tracking Index (CTI)	≥ 600	UL 94 flammability rating	V-0
Contact material	Copper alloy	Storage temperature, min.	-40 °C
Storage temperature, max.	70 °C	Operating temperature, min.	-50 °C
Operating temperature, max.	100 °C	Temperature range, installation, min.	-25 °C
Temperature range, installation, max.	100 °C		

## Conductors suitable for connection

Clamping range, min.	0.13 mm <sup>2</sup>	Clamping range, max.	3.31 mm <sup>2</sup>
Flexible, min. H05(07) V-K	0.2 mm <sup>2</sup>	Flexible, max. H05(07) V-K	2.5 mm <sup>2</sup>

## Rated data acc. to IEC

tested acc. to standard		Rated current, min. number of poles (Tu=20°C)	
	IEC 60664-1, IEC 61984		17 A
Rated current, max. number of poles (Tu=20°C)	13 A	Rated current, min. number of poles (Tu=40°C)	15 A
Rated current, max. number of poles (Tu=40°C)	11.5 A	Rated voltage for surge voltage class / pollution degree II/2	630 V
Rated voltage for surge voltage class / pollution degree III/2	400 V	Rated voltage for surge voltage class / pollution degree III/3	250 V
Rated impulse voltage for surge voltage class/ pollution degree II/2	4 kV	Rated impulse voltage for surge voltage class/ pollution degree III/2	4 kV
Rated impulse voltage for surge voltage class/ contamination degree III/3	4 kV	Short-time withstand current resistance	3 x 1s with 120 A

## RSV1,6 S6 GR

Weidmüller Interface GmbH &amp; Co. KG

Klingenbergstraße 26


D-32758 Detmold

Germany


www.weidmueller.com

## Technical data

## Rated data acc. to CSA

Institute (CSA)		Certificate No. (CSA)	53975-13
Rated voltage (Use group C / CSA)	600 V	Rated current (Use group C / CSA)	13 A
Wire cross-section, AWG, min.	AWG 26	Wire cross-section, AWG, max.	AWG 12
Reference to approval values	Specifications are maximum values, details - see approval certificate.		

## Rated data acc. to UL 1059

Institute (UR)		Certificate No. (UR)	E92202
Reference to approval values	Specifications are maximum values, details - see approval certificate.		

## Packing

Packaging	Box	VPE length	131 mm
VPE width	105 mm	VPE height	66 mm

## Classifications

ETIM 6.0	EC002638	ETIM 7.0	EC002638
ETIM 8.0	EC002638	ECLASS 9.0	27-44-03-09
ECLASS 9.1	27-44-03-09	ECLASS 10.0	27-44-03-09
ECLASS 11.0	27-46-02-02		

## Important note

IPC conformity	Conformity: The products are developed, manufactured and delivered according international recognized standards and norms and comply with the assured properties in the data sheet resp. fulfill decorative properties in accordance with IPC-A-610 "Class 2". Further claims on the products can be evaluated on request.
Notes	<ul style="list-style-type: none"> <li>• Additional colours on request</li> <li>• Rated current related to rated cross-section &amp; min. No. of poles.</li> <li>• Spacing between rows: see hole layout</li> <li>• Rated cross-section depends on crimp contact used.</li> <li>• Rated data refer only to the component itself. Clearance and creepage distances to other components are to be designed in accordance with the relevant application standards.</li> <li>• Max. outer diameter of the cable (with insulation): 3.5 mm</li> </ul>

**Data sheet****RSV1,6 S6 GR**

**Weidmüller Interface GmbH & Co. KG**  
Klingenbergstraße 26  
D-32758 Detmold  
Germany

[www.weidmueller.com](http://www.weidmueller.com)

**Technical data****Approvals**

Approvals



ROHS	Conform
UL File Number Search	E92202

**Downloads**

Approval/Certificate/Document of Conformity	<a href="#">Declaration of the Manufacturer</a>
Engineering Data	<a href="#">CAD data – STEP</a>
Engineering Data	<a href="#">EPLAN, WSCAD</a>
Catalogues	<a href="#">Catalogues in PDF-format</a>
Brochures	<a href="#">MB DEVICE MANUF. EN</a> <a href="#">FL 72H SAMPLE SER EN</a> <a href="#">PO OMNIMATE EN</a> <a href="#">PO OMNIMATE EN</a>

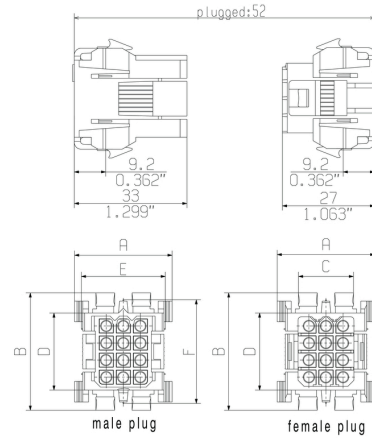
**RSV1,6 S6 GR**

**Weidmüller Interface GmbH & Co. KG**  
 Klingenbergstraße 26  
 D-32758 Detmold  
 Germany

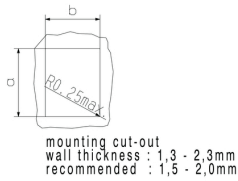
www.weidmueller.com

**Drawings**

**Dimensional drawing**

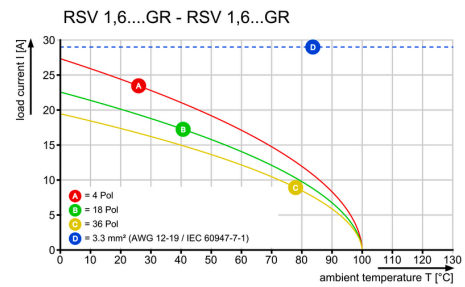


**Dimensional drawing**



poles	dimension male plug / female plug					mounting cut-out	
	A	B	C	D	E	a ±0,2	b ±0,2
4	23,0	25,0	10,8	12,8	17,8	20,3	18,1
5	23,0	30,0	10,8	17,6	17,8	25,1	18,1
9	29,0	30,0	16,1	17,6	23,8	25,1	24,0
12	29,0	35,0	16,1	22,6	23,8	30,0	24,0
18	29,0	46,0	16,1	33,0	23,8	40,5	24,0
24	33,0	46,0	20,6	33,0	27,8	40,5	28,3
36	33,0	61,0	20,6	48,0	27,8	55,5	28,3

**Graph**



## RSV1,6 S6 GR

**Weidmüller Interface GmbH & Co. KG**  
 Klingenbergstraße 26  
 D-32758 Detmold  
 Germany

www.weidmueller.com

## Accessories

## Coding elements



**Only connects what is supposed to be connected:  
 the right connection at the right place.**

Coding elements and locking devices clearly assign connecting elements during the manufacturing process and operation

The coding elements and locking devices are inserted prior to assembly or during the cable assembly phase. The Weidmüller alternative: configure online using the variant configurator to precode prior to delivery.

Incorrect assembly on the circuit board and incorrect plugging of connecting elements is no longer possible. The advantage: no troubleshooting during manufacture and no operational errors by the user.

## General ordering data

Type	RSV1,6 KO	Version	Product data	Packaging
Order No.	<a href="#">1567430000</a>	PCB plug-in connector, Accessories, Coding element, black, Number of poles: 1		Box
GTIN (EAN)	4008190169756			
Qty.	50 pc(s).			

## Pin contact, long



**For a reliable contact - CB/CS crimp contact.**

The combination of RSV housings and Weidmüller's crimp contacts enable custom adaptations to the specific requirements of your applications.

The following product options are available depending on the system:

- Safe centring of the contacts using the three-segment pin tips
- High contact reliability using four defined contact points
- Locking clasp in the cantilever spring for a secure mount of the contacts in the housing
- Pin contacts with two lengths to implement leading-pin contacts
- Up to 100 plugging cycles (tin version)
- Up to 500 plugging cycles (gold version)

The appropriate high-quality tools from Weidmüller guarantee professional processing.

## General ordering data

Type	CSL1,6R18-16 AU,75 I3,5	Version	Product data	Packaging
Order No.	<a href="#">1582340000</a>	PCB plug-in connector, Crimp contact, Reel packaged, Pin &ndash; long, Gold-plated, Max. clamping range : 1.5 mm <sup>2</sup>		Box
GTIN (EAN)	4008190086756			
Qty.	4,000 pc(s).			

## RSV1,6 S6 GR

Weidmüller Interface GmbH &amp; Co. KG

Klingenbergstraße 26

D-32758 Detmold

Germany

www.weidmueller.com

## Accessories

Type	Version	Product data	Packaging
Order No. <a href="#">1582370000</a> GTIN (EAN) 4008190055608 Qty. 250 pc(s).	CSL1,6E14-12 AU,75 I4,2	PCB plug-in connector, Crimp contact, Individual contact, Pin & dash; long, Gold-plated, Max. clamping range : 2.5 mm <sup>2</sup>	Box
Order No. <a href="#">1582380000</a> GTIN (EAN) 4008190130213 Qty. 3,000 pc(s).	CSL1,6R14-12 AU,75 I4,2	PCB plug-in connector, Crimp contact, Reel packaged, Pin & dash; long, Gold-plated, Max. clamping range : 2.5 mm <sup>2</sup>	Box
Order No. <a href="#">1565870000</a> GTIN (EAN) 4008190086596 Qty. 5,000 pc(s).	CSL1,6R22-20 SN I1,8	PCB plug-in connector, Crimp contact, Reel packaged, Pin & dash; long, tinned, Max. clamping range : 0.5 mm <sup>2</sup>	Box
Order No. <a href="#">1565790000</a> GTIN (EAN) 4008190021870 Qty. 5,000 pc(s).	CSL1,6R18-16 AU,75 I2,5	PCB plug-in connector, Crimp contact, Reel packaged, Pin & dash; long, Gold-plated, Max. clamping range : 1.5 mm <sup>2</sup>	Box
Order No. <a href="#">1424700000</a> GTIN (EAN) 4008190143350 Qty. 250 pc(s).	CSL1,6E22-20 AU,75 I2,5	PCB plug-in connector, Crimp contact, Individual contact, Pin & dash; long, Gold-plated, Max. clamping range : 0.5 mm <sup>2</sup>	Box
Order No. <a href="#">1565820000</a> GTIN (EAN) 4008190130732 Qty. 5,000 pc(s).	CSL1,6R22-20 AU,75 I2,5	PCB plug-in connector, Crimp contact, Reel packaged, Pin & dash; long, Gold-plated, Max. clamping range : 0.5 mm <sup>2</sup>	Box
Order No. <a href="#">1420700000</a> GTIN (EAN) 4008190130176 Qty. 250 pc(s).	CSL1,6E26-24 AU,75 I1,4	PCB plug-in connector, Crimp contact, Individual contact, Pin & dash; long, Gold-plated, Max. clamping range : 0.25 mm <sup>2</sup>	Box
Order No. <a href="#">1582400000</a> GTIN (EAN) 4008190112912 Qty. 3,000 pc(s).	CSL1,6R14-12 SN I4,2	PCB plug-in connector, Crimp contact, Reel packaged, Pin & dash; long, tinned, Max. clamping range : 2.5 mm <sup>2</sup>	Box
Order No. <a href="#">1428700000</a> GTIN (EAN) 4008190098353 Qty. 250 pc(s).	CSL1,6E14-12 AU,75 I3,5	PCB plug-in connector, Crimp contact, Individual contact, Pin & dash; long, Gold-plated, Max. clamping range : 2.5 mm <sup>2</sup>	Box
Order No. <a href="#">1565810000</a> GTIN (EAN) 4008190056803 Qty. 5,000 pc(s).	CSL1,6R18-16 SN I2,5	PCB plug-in connector, Crimp contact, Reel packaged, Pin & dash; long, tinned, Max. clamping range : 1.5 mm <sup>2</sup>	Box
Order No. <a href="#">1565880000</a> GTIN (EAN) 4008190140410 Qty. 5,000 pc(s).	CSL1,6R26-24 AU,75 I1,4	PCB plug-in connector, Crimp contact, Reel packaged, Pin & dash; long, Gold-plated, Max. clamping range : 0.25 mm <sup>2</sup>	Box
Order No. <a href="#">1429700000</a> GTIN (EAN) 4008190065577 Qty. 250 pc(s).	CSL1,6E14-12 SN I3,5	PCB plug-in connector, Crimp contact, Individual contact, Pin & dash; long, tinned, Max. clamping range : 2.5 mm <sup>2</sup>	Box
Order No. <a href="#">1565900000</a> GTIN (EAN) 4008190139797 Qty. 5,000 pc(s).	CSL1,6R26-24 SN I1,4	PCB plug-in connector, Crimp contact, Reel packaged, Pin & dash; long, tinned, Max. clamping range : 0.25 mm <sup>2</sup>	Box

Creation date January 23, 2022 10:31:40 PM CET

Catalogue status 14.01.2022 / We reserve the right to make technical changes.

7

## RSV1,6 S6 GR

Weidmüller Interface GmbH &amp; Co. KG

Klingenbergstraße 26

D-32758 Detmold

Germany

www.weidmueller.com

## Accessories

Type	CSL1,6E18-16 SN I3,5	Version	Product data	Packaging
Order No.	<a href="#">1582350000</a>	PCB plug-in connector, Crimp contact, Individual contact, Pin & dash;		Box
GTIN (EAN)	4008190033620	long, tinned, Max. clamping range : 1.5 mm <sup>2</sup>		
Qty.	250 pc(s).			
Type	CSL1,6E26-24 SN I1,4	Version	Product data	Packaging
Order No.	<a href="#">1421700000</a>	PCB plug-in connector, Crimp contact, Individual contact, Pin & dash;		Box
GTIN (EAN)	4008190109042	long, tinned, Max. clamping range : 0.25 mm <sup>2</sup>		
Qty.	250 pc(s).			
Type	CSL1,6R14-12 AU,75 I3,5	Version	Product data	Packaging
Order No.	<a href="#">1565760000</a>	PCB plug-in connector, Crimp contact, Reel packaged, Pin & dash;		Box
GTIN (EAN)	4008190134693	long, Gold-plated, Max. clamping range : 2.5 mm <sup>2</sup>		
Qty.	4,000 pc(s).			
Type	CSL1,6R22-20 AU,75 I1,8	Version	Product data	Packaging
Order No.	<a href="#">1565850000</a>	PCB plug-in connector, Crimp contact, Reel packaged, Pin & dash;		Box
GTIN (EAN)	4008190176600	long, Gold-plated, Max. clamping range : 0.5 mm <sup>2</sup>		
Qty.	5,000 pc(s).			
Type	CSL1,6R22-20 SN I2,5	Version	Product data	Packaging
Order No.	<a href="#">1565840000</a>	PCB plug-in connector, Crimp contact, Reel packaged, Pin & dash;		Box
GTIN (EAN)	4008190096014	long, tinned, Max. clamping range : 0.5 mm <sup>2</sup>		
Qty.	5,000 pc(s).			
Type	CSL1,6R14-12 SN I3,5	Version	Product data	Packaging
Order No.	<a href="#">1565780000</a>	PCB plug-in connector, Crimp contact, Reel packaged, Pin & dash;		Box
GTIN (EAN)	4008190056735	long, tinned, Max. clamping range : 2.5 mm <sup>2</sup>		
Qty.	4,000 pc(s).			
Type	CSL1,6E22-20 SN I1,8	Version	Product data	Packaging
Order No.	<a href="#">1423700000</a>	PCB plug-in connector, Crimp contact, Individual contact, Pin & dash;		Box
GTIN (EAN)	4008190001766	long, tinned, Max. clamping range : 0.5 mm <sup>2</sup>		
Qty.	250 pc(s).			
Type	CSL1,6E18-16 AU,75 I2,5	Version	Product data	Packaging
Order No.	<a href="#">1426700000</a>	PCB plug-in connector, Crimp contact, Individual contact, Pin & dash;		Box
GTIN (EAN)	4008190170516	long, Gold-plated, Max. clamping range : 1.5 mm <sup>2</sup>		
Qty.	250 pc(s).			
Type	CSL1,6E22-20 SN I2,5	Version	Product data	Packaging
Order No.	<a href="#">1425700000</a>	PCB plug-in connector, Crimp contact, Individual contact, Pin & dash;		Box
GTIN (EAN)	4008190175016	long, tinned, Max. clamping range : 0.5 mm <sup>2</sup>		
Qty.	250 pc(s).			
Type	CSL1,6E18-16 SN I2,5	Version	Product data	Packaging
Order No.	<a href="#">1427700000</a>	PCB plug-in connector, Crimp contact, Individual contact, Pin & dash;		Box
GTIN (EAN)	4008190057725	long, tinned, Max. clamping range : 1.5 mm <sup>2</sup>		
Qty.	250 pc(s).			
Type	CSL1,6E14-12 SN I4,2	Version	Product data	Packaging
Order No.	<a href="#">1582390000</a>	PCB plug-in connector, Crimp contact, Individual contact, Pin & dash;		Box
GTIN (EAN)	4008190166762	long, tinned, Max. clamping range : 2.5 mm <sup>2</sup>		
Qty.	250 pc(s).			
Type	CSL1,6R18-16 SN I3,5	Version	Product data	Packaging
Order No.	<a href="#">1582360000</a>	PCB plug-in connector, Crimp contact, Reel packaged, Pin & dash;		Box
GTIN (EAN)	4008190063214	long, tinned, Max. clamping range : 1.5 mm <sup>2</sup>		
Qty.	4,000 pc(s).			
Type	CSL1,6E22-20 AU,75 I1,8	Version	Product data	Packaging
Order No.	<a href="#">1422700000</a>	PCB plug-in connector, Crimp contact, Individual contact, Pin & dash;		Box
GTIN (EAN)	4008190168667	long, Gold-plated, Max. clamping range : 0.5 mm <sup>2</sup>		
Qty.	250 pc(s).			

Creation date January 23, 2022 10:31:40 PM CET

Catalogue status 14.01.2022 / We reserve the right to make technical changes.

8



## RSV1,6 S6 GR

Weidmüller Interface GmbH &amp; Co. KG

Klingenbergstraße 26

D-32758 Detmold

Germany

www.weidmueller.com

## Accessories

Type	CSL1,6E18-16 AU,75 I3,5	Version	Product data	Packaging
Order No.	<a href="#">1582330000</a>	PCB plug-in connector, Crimp contact, Individual contact, Pin &ndash;		Box
GTIN (EAN)	4008190066079	long, Gold-plated, Max. clamping range : 1.5 mm <sup>2</sup>		
Qty.	250 pc(s).			

## Strain reliefs

**For frequent load changes: the "trailer coupling" for plug-in connectors.**

The strain relief can do more than just relieve the strain on conductors:

Simply clip onto the plug and

- bundle conductors
- guide cables
- use as a connection and disconnection aid

No damage to the connecting points, clear, tidy wiring and easy to handle.

User advantages: permanent heavy-duty connections for harsh industrial environments and convenient operation ensure improved system availability.

## General ordering data

Type	RSV1,6 ZE12 BK BX	Version	Product data	Packaging
Order No.	<a href="#">1563300000</a>	PCB plug-in connector, Accessories, Strain relief, black, Number of		Box
GTIN (EAN)	4008190095871	poles: 12		
Qty.	25 pc(s).			

## Adapters for rail mounting

**Clip on and use!**

From the circuit board in the control cabinet: snap-on or mounting feet form the link between plug-in connectors and terminal rails.

Compatible with all standard sizes: TS 15 or TS 35. Combination foot or variations available.

The quick alternative to screw connections: unbeatable ease of installation and service.

The mounting foot for the terminal rails allows the universal use of pluggable connection systems on the module, the enclosure and the control cabinet and avoids patchwork solutions.

## General ordering data

Type	RSV1,6 RF12/35X7.5 SW	Version	Product data	Packaging
Order No.	<a href="#">1582940000</a>	PCB plug-in connector, Accessories, Clip-in foot, black, Number of		Box
GTIN (EAN)	4008190068486	poles: 12		
Qty.	10 pc(s).			
Type	RSV1,6 RF12/35X15 SW	Version	Product data	Packaging
Order No.	<a href="#">1690140000</a>	PCB plug-in connector, Accessories, Clip-in foot, black, Number of		Box
GTIN (EAN)	4008190863005	poles: 12		
Qty.	10 pc(s).			

## RSV1,6 S6 GR

**Weidmüller Interface GmbH & Co. KG**  
Klingenbergstraße 26  
D-32758 Detmold  
Germany

www.weidmueller.com

## Accessories

## Pin contact standard

**For a reliable contact - CB/CS crimp contact.**

The combination of RSV housings and Weidmüller's crimp contacts enable custom adaptations to the specific requirements of your applications.

The following product options are available depending on the system:

- Safe centring of the contacts using the three-segment pin tips
- High contact reliability using four defined contact points
- Locking clasp in the cantilever spring for a secure mount of the contacts in the housing
- Pin contacts with two lengths to implement leading-pin contacts
- Up to 100 plugging cycles (tin version)
- Up to 500 plugging cycles (gold version)

The appropriate high-quality tools from Weidmüller guarantee professional processing.

**General ordering data**

Type	CS1,6E18-16 SN I3,5	Version	Product data	Packaging
Order No.	<a href="#">1582270000</a>	PCB plug-in connector, Crimp contact, Individual contact, Pin &ndash;		Box
GTIN (EAN)	4008190126049	standard, tinned, Max. clamping range : 1.5 mm <sup>2</sup>		
Qty.	250 pc(s).			
Type	CS1,6R14-12 SN I4,2	Version	Product data	Packaging
Order No.	<a href="#">1582320000</a>	PCB plug-in connector, Crimp contact, Reel packaged, Pin &ndash;		Reel
GTIN (EAN)	4008190008680	standard, tinned, Max. clamping range : 2.5 mm <sup>2</sup>		
Qty.	3,000 pc(s).			
Type	CS1,6R22-20 AU,75 I1,8	Version	Product data	Packaging
Order No.	<a href="#">1422500000</a>	PCB plug-in connector, Crimp contact, Reel packaged, Pin &ndash;		Reel
GTIN (EAN)	4008190093648	standard, Gold-plated, Max. clamping range : 0.5 mm <sup>2</sup>		
Qty.	5,000 pc(s).			
Type	CS1,6E26-24 AU,75 I1,4	Version	Product data	Packaging
Order No.	<a href="#">1420600000</a>	PCB plug-in connector, Crimp contact, Individual contact, Pin &ndash;		Box
GTIN (EAN)	4008190082772	standard, Gold-plated, Max. clamping range : 0.25 mm <sup>2</sup>		
Qty.	250 pc(s).			
Type	CS1,6R14-12 AU,75 I3,5	Version	Product data	Packaging
Order No.	<a href="#">1428500000</a>	PCB plug-in connector, Crimp contact, Reel packaged, Pin &ndash;		Reel
GTIN (EAN)	4008190023201	standard, Gold-plated, Max. clamping range : 2.5 mm <sup>2</sup>		
Qty.	3,000 pc(s).			
Type	CS1,6E14-12 AU,75 I3,5	Version	Product data	Packaging
Order No.	<a href="#">1428600000</a>	PCB plug-in connector, Crimp contact, Individual contact, Pin &ndash;		Box
GTIN (EAN)	4008190078867	standard, Gold-plated, Max. clamping range : 2.5 mm <sup>2</sup>		
Qty.	250 pc(s).			
Type	CS1,6E26-24 SN I1,4	Version	Product data	Packaging
Order No.	<a href="#">1421600000</a>	PCB plug-in connector, Crimp contact, Individual contact, Pin &ndash;		Box
GTIN (EAN)	4008190009939	standard, tinned, Max. clamping range : 0.25 mm <sup>2</sup>		
Qty.	250 pc(s).			

Creation date January 23, 2022 10:31:40 PM CET

Catalogue status 14.01.2022 / We reserve the right to make technical changes.

10

## RSV1,6 S6 GR

Weidmüller Interface GmbH &amp; Co. KG

Klingenbergstraße 26

D-32758 Detmold

Germany

www.weidmueller.com

## Accessories

Type	CS1,6E22-20 SN I1,8	Version	Product data	Packaging
Order No.	<a href="#">1423600000</a>	PCB plug-in connector, Crimp contact, Individual contact, Pin &ndash;		Box
GTIN (EAN)	4008190061876	standard, tinned, Max. clamping range : 0.5 mm <sup>2</sup>		
Qty.	250 pc(s).			
Type	CS1,6R18-16 AU,75 I3,5	Version	Product data	Packaging
Order No.	<a href="#">1582260000</a>	PCB plug-in connector, Crimp contact, Reel packaged, Pin &ndash;		Reel
GTIN (EAN)	4008190184100	standard, Gold-plated, Max. clamping range : 1.5 mm <sup>2</sup>		
Qty.	4,000 pc(s).			
Type	CS1,6R18-16 SN I3,5	Version	Product data	Packaging
Order No.	<a href="#">1582280000</a>	PCB plug-in connector, Crimp contact, Reel packaged, Pin &ndash;		Reel
GTIN (EAN)	4008190029401	standard, tinned, Max. clamping range : 1.5 mm <sup>2</sup>		
Qty.	4,000 pc(s).			
Type	CS1,6R26-24 SN I1,4	Version	Product data	Packaging
Order No.	<a href="#">1421500000</a>	PCB plug-in connector, Crimp contact, Reel packaged, Pin &ndash;		Reel
GTIN (EAN)	4008190064310	standard, tinned, Max. clamping range : 0.25 mm <sup>2</sup>		
Qty.	5,000 pc(s).			
Type	CS1,6RB18-16 AU,75 I3,5	Version	Product data	
Order No.	<a href="#">1017080000</a>	PCB plug-in connector, Crimp contact, Reel packaged, Pin &ndash;		
GTIN (EAN)	4032248727711	standard, Gold-plated, Max. clamping range : 1.5 mm <sup>2</sup>		
Qty.	4,000 pc(s).			
Type	CS1,6E22-20 AU,75 I2,5	Version	Product data	Packaging
Order No.	<a href="#">1424600000</a>	PCB plug-in connector, Crimp contact, Individual contact, Pin &ndash;		Box
GTIN (EAN)	4008190186562	standard, Gold-plated, Max. clamping range : 0.5 mm <sup>2</sup>		
Qty.	250 pc(s).			
Type	CS1,6R22-20 SN I2,5	Version	Product data	Packaging
Order No.	<a href="#">1425500000</a>	PCB plug-in connector, Crimp contact, Reel packaged, Pin &ndash;		Reel
GTIN (EAN)	4008190004781	standard, tinned, Max. clamping range : 0.5 mm <sup>2</sup>		
Qty.	5,000 pc(s).			
Type	CS1,6E14-12 AU,75 I4,2	Version	Product data	Packaging
Order No.	<a href="#">1582290000</a>	PCB plug-in connector, Crimp contact, Individual contact, Pin &ndash;		Box
GTIN (EAN)	4008190015244	standard, Gold-plated, Max. clamping range : 2.5 mm <sup>2</sup>		
Qty.	250 pc(s).			
Type	CS1,6E22-20 SN I2,5	Version	Product data	Packaging
Order No.	<a href="#">1425600000</a>	PCB plug-in connector, Crimp contact, Individual contact, Pin &ndash;		Box
GTIN (EAN)	4008190048884	standard, tinned, Max. clamping range : 0.5 mm <sup>2</sup>		
Qty.	250 pc(s).			
Type	CS1,6R14-12 AU,75 I4,2	Version	Product data	Packaging
Order No.	<a href="#">1582300000</a>	PCB plug-in connector, Crimp contact, Reel packaged, Pin &ndash;		Reel
GTIN (EAN)	4008190020668	standard, Gold-plated, Max. clamping range : 2.5 mm <sup>2</sup>		
Qty.	3,000 pc(s).			
Type	CS1,6R18-16 AU,75 I2,5	Version	Product data	Packaging
Order No.	<a href="#">1426500000</a>	PCB plug-in connector, Crimp contact, Reel packaged, Pin &ndash;		Reel
GTIN (EAN)	4008190159146	standard, Gold-plated, Max. clamping range : 1.5 mm <sup>2</sup>		
Qty.	5,000 pc(s).			
Type	CS1,6E22-20 AU,75 I1,8	Version	Product data	Packaging
Order No.	<a href="#">1422600000</a>	PCB plug-in connector, Crimp contact, Individual contact, Pin &ndash;		Box
GTIN (EAN)	4008190090463	standard, Gold-plated, Max. clamping range : 0.5 mm <sup>2</sup>		
Qty.	250 pc(s).			
Type	CS1,6R22-20 SN I1,8	Version	Product data	Packaging
Order No.	<a href="#">1423500000</a>	PCB plug-in connector, Crimp contact, Reel packaged, Pin &ndash;		Reel
GTIN (EAN)	4008190085063	standard, tinned, Max. clamping range : 0.5 mm <sup>2</sup>		
Qty.	5,000 pc(s).			

Creation date January 23, 2022 10:31:40 PM CET

Catalogue status 14.01.2022 / We reserve the right to make technical changes.

11

## RSV1,6 S6 GR

Weidmüller Interface GmbH &amp; Co. KG

Klingenbergstraße 26

D-32758 Detmold

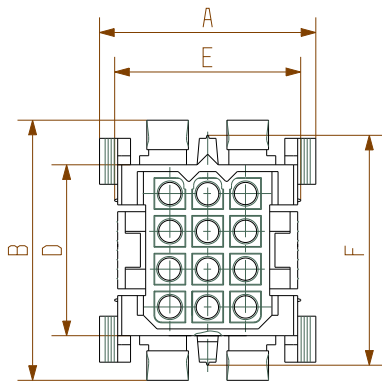
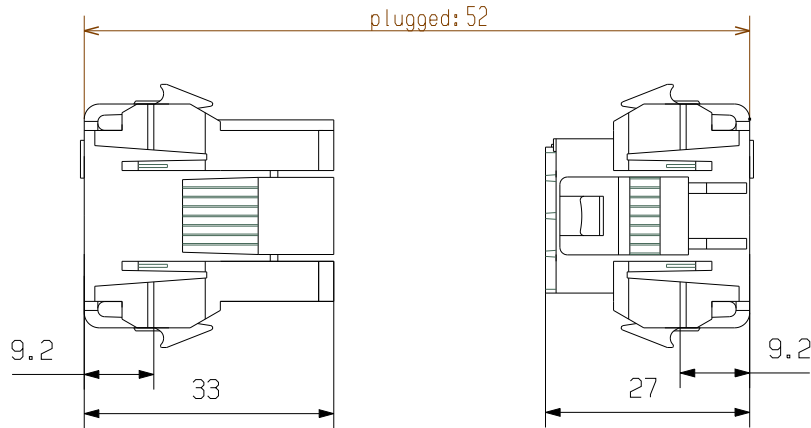
Germany

www.weidmueller.com

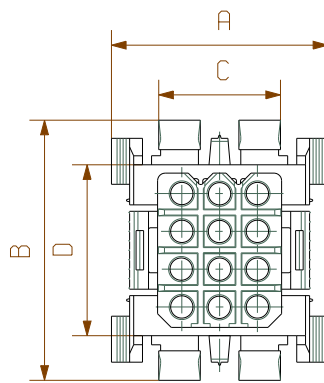
## Accessories

Type	Version	Product data	Packaging
CS1,6E14-12 SN I4,2 Order No. <a href="#">1582310000</a> GTIN (EAN) 4008190032975 Qty. 250 pc(s).	PCB plug-in connector, Crimp contact, Individual contact, Pin &ndash; standard, tinned, Max. clamping range : 2.5 mm <sup>2</sup>		Box
CS1,6R18-16 SN I2,5 Order No. <a href="#">1427500000</a> GTIN (EAN) 4008190014551 Qty. 5,000 pc(s).	PCB plug-in connector, Crimp contact, Reel packaged, Pin &ndash; standard, tinned, Max. clamping range : 1.5 mm <sup>2</sup>		Reel
CS1,6E14-12 SN I3,5 Order No. <a href="#">1429600000</a> GTIN (EAN) 4008190030728 Qty. 250 pc(s).	PCB plug-in connector, Crimp contact, Individual contact, Pin &ndash; standard, tinned, Max. clamping range : 2.5 mm <sup>2</sup>		Box
CS1,6R14-12 SN I3,5 Order No. <a href="#">1429500000</a> GTIN (EAN) 4008190113919 Qty. 4,000 pc(s).	PCB plug-in connector, Crimp contact, Reel packaged, Pin &ndash; standard, tinned, Max. clamping range : 2.5 mm <sup>2</sup>		Reel
CS1,6R26-24 AU,75 I1,4 Order No. <a href="#">1420500000</a> GTIN (EAN) 4008190117931 Qty. 5,000 pc(s).	PCB plug-in connector, Crimp contact, Reel packaged, Pin &ndash; standard, Gold-plated, Max. clamping range : 0.25 mm <sup>2</sup>		Reel
CS1,6R22-20 AU,75 I2,5 Order No. <a href="#">1424500000</a> GTIN (EAN) 4008190158811 Qty. 5,000 pc(s).	PCB plug-in connector, Crimp contact, Reel packaged, Pin &ndash; standard, Gold-plated, Max. clamping range : 0.5 mm <sup>2</sup>		Reel
CS1,6E18-16 AU,75 I3,5 Order No. <a href="#">1582250000</a> GTIN (EAN) 4008190135614 Qty. 250 pc(s).	PCB plug-in connector, Crimp contact, Individual contact, Pin &ndash; standard, Gold-plated, Max. clamping range : 1.5 mm <sup>2</sup>		Box
CS1,6E18-16 AU,75 I2,5 Order No. <a href="#">1426600000</a> GTIN (EAN) 4008190182861 Qty. 250 pc(s).	PCB plug-in connector, Crimp contact, Individual contact, Pin &ndash; standard, Gold-plated, Max. clamping range : 1.5 mm <sup>2</sup>		Box
CS1,6E18-16 SN I2,5 Order No. <a href="#">1427600000</a> GTIN (EAN) 4008190090654 Qty. 250 pc(s).	PCB plug-in connector, Crimp contact, Individual contact, Pin &ndash; standard, tinned, Max. clamping range : 1.5 mm <sup>2</sup>		Box

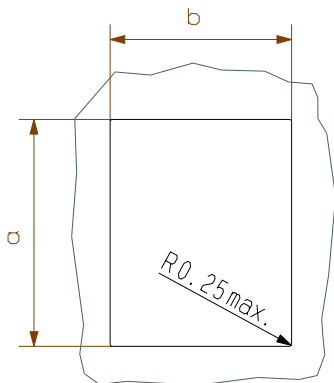
Assembly instruction:



male plug



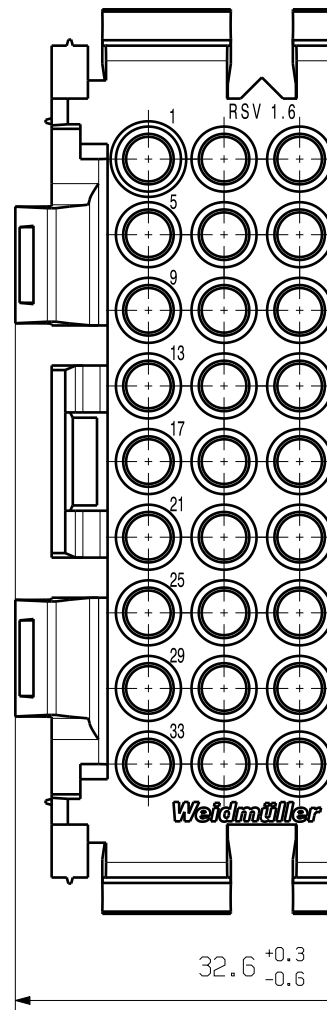
female plug



mounting cut-out

wall thickness : 1,3 - 2,3mm

recommended : 1,5 - 2,0mm



The reproduction, distribution and utilization of this document as well as the communication of its contents to others without explicit authorization is prohibited. Offenders will be held liable for the payment of damages. Weidmueller exclusively reserves the right to file for patents, utility models or designs.

© Weidmueller Interface GmbH & Co. KG

poles	dimension male plug / female plug					mounting cut-out	
	A	B	C	D	E	a $\pm 0.3$	b $\pm 0.3$
4	23,0	25,0	10,8	12,8	17,8	20,3	18,1
6	23,0	30,0	10,8	17,6	17,8	25,1	18,1
9	29,0	30,0	16,6	17,6	23,8	25,1	24,0
12	29,0	35,0	16,6	22,6	23,8	30,0	24,0
18	29,0	46,0	16,6	33,0	23,8	40,5	24,0
24	33,0	46,0	20,6	33,0	27,8	40,5	28,3
36	33,0	61,0	20,6	48,0	27,8	55,5	28,3

## X-ON Electronics

Largest Supplier of Electrical and Electronic Components

*Click to view similar products for [Pluggable Terminal Blocks](#) category:*

*Click to view products by [Weidmuller](#) manufacturer:*

Other Similar products are found below :

[57.510.0053](#) [MC 1.5/ 6-ST-3.5 GY AU](#) [ET02015000J0G](#) [734-104](#) [734-302](#) [8-141-P](#) [8426620000](#) [860505](#) [860516](#) [860810](#) [GBPACX-12](#)  
[93.731.4953.0](#) [PV05-5,08-K](#) [PVP03-3,50](#) [PVP04-3,50](#) [PVS02-5,00](#) [1-1986160-3](#) [1377680000](#) [1531000000](#) [1546228-5](#) [ELFH16150](#)  
[ELFP03110](#) [ELFP10210](#) [ELFT06250](#) [ELVP03100](#) [1700101](#) [1700410](#) [1700425](#) [1702246](#) [1705229](#) [1710175](#) [1714537](#) [1717806](#) [1719600](#)  
[1728941](#) [1734692](#) [1734795](#) [1736036](#) [1740194](#) [1740628](#) [1740990](#) [1746952](#) [1750207](#) [1752441](#) [1752865](#) [1754115](#) [1754144](#) [1756913](#)  
[1760051](#) [1760336](#)