

**Industrial Ethernet
IE-PS-RJ45-FH-90-B-1.1**

Weidmüller Interface GmbH & Co. KG
Klingenbergstraße 16
D-32758 Detmold
Germany
Fon: +49 5231 14-0
Fax: +49 5231 14-292083
www.weidmueller.com



RJ45 plug-in connector (no tools required) according to IEC 60603-7-51 for core diameters from 0.85 to 1.6 mm and AWG 22-27.

General ordering data

Type	IE-PS-RJ45-FH-90-B-1.1
Order No.	1518090000
Version	RJ45 plug, no tools required, angled, 4x90°, Cat.6 _A / Class E _A (ISO/IEC 11801 2010), EIA/TIA T568 B
GTIN (EAN)	4050118325300
Qty.	1 pc(s).

Industrial Ethernet IE-PS-RJ45-FH-90-B-1.1

Weidmüller Interface GmbH & Co. KG
Klingenbergstraße 16
D-32758 Detmold
Germany
Fon: +49 5231 14-0
Fax: +49 5231 14-292083
www.weidmueller.com

Technical data

Dimensions and weights

Net weight 30 g

Temperatures

Operating temperature, max.	85 °C	Operating temperature, min.	-40 °C
Operating temperature	-40 °C...85 °C	Storage temperature	
Installation temperature			

Environmental Product Compliance

REACH SVHC Lead 7439-92-1

General data

Connection 1	RJ45	Connection 2	Piercing
Wiring	EIA/TIA T568 B	Housing main material	Zinc diecast, nickel-plated
Speed	10 GBit	Insulation cross-section, min.	0.85 mm
Insulation cross-section, max.	1.1 mm	Category	Cat.6A / Class E _A (ISO/IEC 11801 2010)
Contact surface	Gold over nickel	Connection diameter, solid	0.41...0.51 mm
Conductor connection cross-section, solid (AWG)	AWG 26...AWG 24	Connection diameter, flexible	0.46...0.61 mm
Conductor connection cross-section, flexible (AWG)	AWG 27...AWG 24	Conductor connection cross-section, extremely flexible	0.51, Approval of the cable by Weidmüller necessary
Conductor connection cross-section, extremely flexible (AWG)	AWG 26, Approval of the cable by Weidmüller necessary	Sheath diameter, min.	5 mm
Sheath diameter, max.	9 mm	Shielding	360°; all-round enclosure
Protection degree	IP20	Plugging cycles	750

Electrical properties

Contact resistance	≤ 20 mΩ	Current-carrying capacity at 50 °C	1 A
Dielectric strength, contact / contact	≥ 1000 V DC	Dielectric strength, contact / shield	≥ 1500 V DC
Insulation strength	> 500 MΩ	PoE / PoE+	conforming to IEEE 802.3at

Standards

Connector standard IEC 60603-7-51 Certificate no. (cULus) E471884

Classifications

ETIM 6.0	EC001121	eClass 6.2	27-25-05-04
eClass 9.0	27-44-03-90	eClass 9.1	27-44-03-90

Approvals

Approvals



ROHS Conform

Creation date April 3, 2019 12:58:44 PM CEST

Catalogue status 28.03.2019 / We reserve the right to make technical changes.

Data sheet**Industrial Ethernet
IE-PS-RJ45-FH-90-B-1.1**

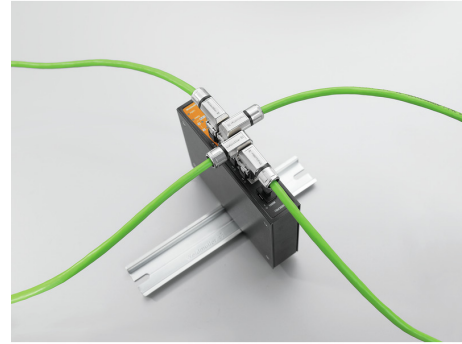
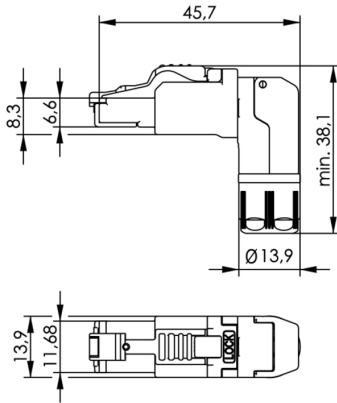
Weidmüller Interface GmbH & Co. KG
Klingenbergstraße 16
D-32758 Detmold
Germany
Fon: +49 5231 14-0
Fax: +49 5231 14-292083
www.weidmueller.com

Technical data**Downloads**

Brochure/Catalogue	CAT 9 IETH 15/16 EN MB FREECONTACT EN FL FIELDWIRING EN PI PROFINET CABLING EN
Engineering Data	EPLAN, WSCAD
Engineering Data	STEP
User Documentation	MAN IE GUIDE DE MAN IE GUIDE EN Manual

**Industrial Ethernet
IE-PS-RJ45-FH-90-B-1.1**

Weidmüller Interface GmbH & Co. KG
Klingenbergstraße 16
D-32758 Detmold
Germany
Fon: +49 5231 14-0
Fax: +49 5231 14-292083
www.weidmueller.com

Drawings**Dimensioned drawing**

Industrial Ethernet IE-PS-RJ45-FH-90-B-1.1

Weidmüller Interface GmbH & Co. KG
 Klingenbergstraße 16
 D-32758 Detmold
 Germany
 Fon: +49 5231 14-0
 Fax: +49 5231 14-292083
 www.weidmueller.com

Accessories

Substitute wire manager



RJ45 plug-in connector (no tools required) according to IEC 60603-7-51 for core diameters from 0.85 to 1.6 mm and AWG 22-27.

General ordering data

Type	Order No.	Version	GTIN (EAN)	Qty.
IE-PI-RJ45-FH-B-1.6	1992900000	Substitute wire manager, Cat.6 _A / Class E _A (ISO/IEC 11801 2010), EIA/TIA T568 B	4050118378146	30 pc(s).
IE-PI-RJ45-FH-A-1.6	1992880000	Substitute wire manager, Cat.6 _A / Class E _A (ISO/IEC 11801 2010), EIA/TIA T568 A	4050118378030	30 pc(s).
IE-PI-RJ45-FH-P-1.6	1992910000	Substitute wire manager, Cat.5 (ISO/IEC 11801), PROFINET	4050118378047	30 pc(s).
IE-PI-RJ45-FH-A-1.1	1992920000	Substitute wire manager, Cat.6 _A / Class E _A (ISO/IEC 11801 2010), EIA/TIA T568 A	4050118377965	30 pc(s).
IE-PI-RJ45-FH-B-1.1	1992930000	Substitute wire manager, Cat.6 _A / Class E _A (ISO/IEC 11801 2010), EIA/TIA T568 B	4050118378139	30 pc(s).

Pressing tool



When working with live voltages, you must follow special guidelines and use special tools - tools which have been specially produced and tested for this purpose. Weidmüller offers a complete line of pliers which comply with national and international testing standards. All pliers are produced and tested according to DIN EN 60900.

The pliers are ergonomically designed to fit to the hand form, and thus feature an improved hand position. The fingers are not pressed together - this results in less fatigue during operation.

General ordering data

Type	Order No.	Version	GTIN (EAN)	Qty.
PWZ RJ45	1118040000	Pressing tool for pressing together both housing parts	4032248899197	1 pc(s).

Data sheet

**Industrial Ethernet
IE-PS-RJ45-FH-90-B-1.1**

Weidmüller Interface GmbH & Co. KG
Klingenbergstraße 16
D-32758 Detmold
Germany
Fon: +49 5231 14-0
Fax: +49 5231 14-292083
www.weidmueller.com

Accessories

for on-site assembly of the
RJ45 plug

X-ON Electronics

Largest Supplier of Electrical and Electronic Components

Click to view similar products for [Modular Connectors](#) / [Ethernet Connectors](#) category:

Click to view products by [Weidmuller](#) manufacturer:

Other Similar products are found below :

[RJE231881317T](#) [MP1010RX-1000](#) [MP44RX-1000](#) [GAX-3-66](#) [GAX-8-62](#) [93606-0253](#) [GD-A-44](#) [GDCX-PA-66-50](#) [GDCX-PN-64](#) [GDCX-PN-66](#) [GDCX-PN-66-50](#) [GDLX-A-66](#) [GDLX-A-88](#) [GDLX-N-66](#) [GDLX-S-88K](#) [GDTX-S-88-50](#) [GDX-PA-1010](#) [GLX-N-1010M-BLK](#) [GLX-N-44M](#) [GLX-S-88M-BLK](#) [GMX-N-1010](#) [GMX-S-1010](#) [GMX-S-66](#) [GMX-SMT2-N-1010](#) [GMX-SMT2-N-64-50](#) [GMX-SMT2-S6-88](#) [GMX-SMT4-N-88](#) [GPX-2-64](#) [GRT1-BT1-5](#) [GSGX-N-2-88](#) [GSX-NS2-88-3.05](#) [GSX-NS2-88-3.05-50](#) [GSX-NS-88-3.05-30](#) [GSX-NS-88-3.05-50](#) [GSX-NS-88-3.68](#) [1-1775629-2](#) [GWLX-S-88-GR](#) [GWLX-S9-88-YG](#) [1300500326](#) [1300500227](#) [1300530003](#) [1300570002](#) [1324640-4](#) [RJ11FTVC2G](#) [RJ11FTVC2N](#) [RJFTVX2SA1G](#) [132764-001](#) [1400000](#) [1413176](#) [1413235](#)