

IE-PS-RJ45-FH-90-P-1.6

Weidmüller Interface GmbH & Co. KG
Klingenbergstraße 26
D-32758 Detmold
Germany

www.weidmueller.com



RJ45 plug-in connector (no tools required) according to IEC 60603-7-51.

General ordering data

Version	RJ45 plug with piercing contacts, angled, 4x90°, Cat.5 (ISO/IEC 11801), PROFINET
Order No.	1518100000
Type	IE-PS-RJ45-FH-90-P-1.6
GTIN (EAN)	4050118325232
Qty.	10 pc(s).

Creation date September 16, 2022 6:47:57 AM CEST

Catalogue status 09.09.2022 / We reserve the right to make technical changes.

IE-PS-RJ45-FH-90-P-1.6

Weidmüller Interface GmbH & Co. KG

Klingenbergstraße 26

D-32758 Detmold

Germany

www.weidmueller.com

Technical data

Dimensions and weights

Net weight 30 g

Temperatures

Operating temperature -40 °C...85 °C

General data

Outlet direction	angled, 0°, 180°, 270°, 90°	Connection 1	RJ45
Connection 2	Piercing	Wiring	PROFINET
Speed	100 MBit	Insulation cross-section, min.	1.1
Insulation cross-section, max.	1.6	Category	Cat.5 (ISO/IEC 11801)
Connection diameter, solid	0.51...0.64	Conductor connection cross-section, solid (AWG)	AWG 24...AWG 22
Connection diameter, flexible	0.46...0.76 mm	Conductor connection cross-section, flexible (AWG)	AWG 27...AWG 22
Conductor connection cross-section, extremely flexible	0.61...0.78 mm, Approval of the cable by Weidmüller necessary	Conductor connection cross-section, extremely flexible (AWG)	AWG 24...AWG 22, Approval of the cable by Weidmüller necessary
Note, very finely stranded line connection	Approval of the cable by Weidmüller necessary	Sheath diameter, min.	5 mm
Sheath diameter, max.	9 mm	Shielding	360°; all-round enclosure
Protection degree	IP20	Ability to reconnect	≤ 4 cycles (with the same cross-section)

Electrical properties

Contact resistance	≤ 20 mΩ	Current-carrying capacity at 50 °C	1 A
Dielectric strength, contact / contact	≥ 1000 V DC	Dielectric strength, contact / shield	≥ 1500 V DC
PoE / PoE+	conforming to IEEE 802.3at		

General standards

Certificate No. (DNVGL)	TAE00003EW	Certificate no. (cULus)	E471884
Connector standard	IEC 60603-7-51		

Classifications

ETIM 6.0	EC001121	ETIM 7.0	EC001121
ETIM 8.0	EC001121	ECLASS 9.0	27-44-03-90
ECLASS 9.1	27-44-03-90	ECLASS 10.0	27-44-03-90
ECLASS 11.0	27-44-03-90	ECLASS 12.0	27-44-03-90

Approvals

Approvals



ROHS	Conform
UL File Number Search	UL Website
Certificate no. (cULus)	E471884

Creation date September 16, 2022 6:47:57 AM CEST

Catalogue status 09.09.2022 / We reserve the right to make technical changes.

IE-PS-RJ45-FH-90-P-1.6

Weidmüller Interface GmbH & Co. KG
Klingenbergstraße 26
D-32758 Detmold
Germany

www.weidmueller.com

Technical data**Downloads**

Approval/Certificate/Document of Conformity	PROFINET Manufacturer's Declaration
Engineering Data	CAD data – STEP
Engineering Data	EPLAN, WSCAD
User Documentation	MAN IE GUIDE DE MAN IE GUIDE EN Manual
Catalogues	Catalogues in PDF-format
Brochures	MB FREECONTACT EN FL FIELDWIRING EN PI PROFINET CABLING EN PI PROFINET CABLING EN

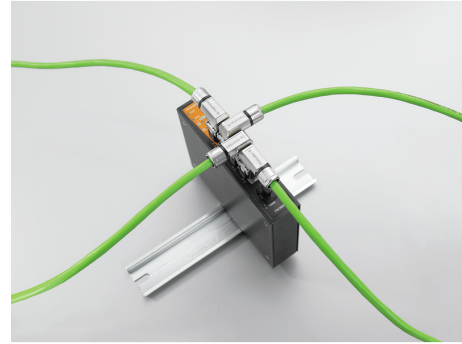
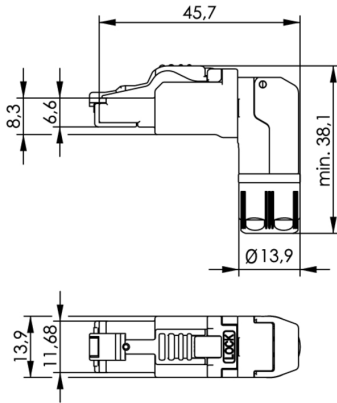
IE-PS-RJ45-FH-90-P-1.6

Weidmüller Interface GmbH & Co. KG
Klingenbergstraße 26
D-32758 Detmold
Germany

www.weidmueller.com

Drawings

Dimensioned drawing



X-ON Electronics

Largest Supplier of Electrical and Electronic Components

Click to view similar products for [Modular Connectors](#) / [Ethernet Connectors](#) category:

Click to view products by [Weidmuller](#) manufacturer:

Other Similar products are found below :

[8949-H88/06BLKA/SN](#) [74441-0010/BKN](#) [PHP-6P6C-5](#) [GAX-3-66](#) [GAX-8-62](#) [GDCX-PN-66](#) [GLX-A-44](#) [GLX-N-1010M-BLK](#) [GMX-SMT4-N-88](#) [GSGX-N-2-88](#) [GSGX-N-4-88](#) [GSX-NS2-88-3.05](#) [GSX-NS-88-3.68](#) [PT-108A-8C-UL](#) [PTS-J531-8CS-50UL](#) [A-2014-0-4](#) [GWLX-S9-88-YG](#) [DC-1021-8-WH-6](#) [1300530003](#) [1324640-4](#) [RJ11FTVC2G](#) [RJ11FTVC2N](#) [RJFTVX2SA1G](#) [132764-001](#) [1413235](#) [MPS88RX-5000](#) [E5288-S000K3-L](#) [155302-001](#) [AX101050](#) [AX101063](#) [AX101065](#) [AX101072](#) [AX101307](#) [AX101315](#) [AX101318](#) [AX102271](#) [AX102288](#) [AX102651](#) [AX102660](#) [J0012D21NL](#) [J0026D01ENL](#) [PC4D0018P](#) [8949-B88/6](#) [2-6609208-5](#) [937-SP-3088-2PC-A192](#) [303066VFL](#) [303068V](#) [303088LFLSA](#) [303088SBL](#) [30-8603](#)