

DFFC 0.22-0.35 SN E

Weidmüller Interfaces GmbH & Co. KG

Postfach 3030

32760 Detmold

Tel. +49 5231 14-0

Fax. +49 5231 14-2083

info@weidmueller.com

www.weidmueller.com

Product image



Similar to illustration

For a reliable contact - CB/CS crimp contact.

The combination of RSV housings and Weidmüller's crimp contacts enable custom adaptations to the specific requirements of your applications.

The following product options are available depending on the system:

- Safe centring of the contacts using the three-segment pin tips
- High contact reliability using four defined contact points
- Locking clasp in the cantilever spring for a secure mount of the contacts in the housing
- Pin contacts with two lengths to implement leading-pin contacts
- Up to 100 plugging cycles (tin version)
- Up to 500 plugging cycles (gold version)

The appropriate high-quality tools from Weidmüller guarantee professional processing.

General ordering data

| | |
|--------------|---|
| Version | PCB plug-in connector, Crimp contact, Contact, tinned, Max. clamping range : 0.35 mm ² |
| Order No. | 1604250000 |
| Type | DFFC 0.22-0.35 SN E |
| GTIN (EAN) | 4008190042905 |
| Qty. | 250 pc(s). |
| Product data | |
| Packaging | Box |

DFFC 0.22-0.35 SN E

Weidmüller Interfaces GmbH & Co. KG

Postfach 3030

32760 Detmold

Tel. +49 5231 14-0

Fax. +49 5231 14-2083

info@weidmueller.com

www.weidmueller.com

Technical data

Dimensions and weights

| | | | |
|------------|---------|-----------------|------------|
| Depth | 18.8 mm | Depth (inches) | 0.74 inch |
| Height | 5.7 mm | Height (inches) | 0.224 inch |
| Width | 4.3 mm | Width (inches) | 0.169 inch |
| Net weight | 0.3 g | | |

Material data

| | | | |
|---------------------------------------|--------------|---------------------------------------|--------------|
| Colour | No | Contact base material | Copper alloy |
| Contact material | Copper alloy | Contact surface | tinned |
| Storage temperature, min. | -40 °C | Storage temperature, max. | 70 °C |
| Operating temperature, min. | -50 °C | Operating temperature, max. | 100 °C |
| Temperature range, installation, min. | -25 °C | Temperature range, installation, max. | 100 °C |

Conductors suitable for connection

| | | | |
|---|----------------------|---|----------------------|
| Clamping range, min. | 0.22 mm ² | Clamping range, max. | 0.35 mm ² |
| Wire connection cross section AWG, min. | AWG 24 | Wire connection cross section AWG, max. | AWG 22 |

Rated data acc. to IEC

| | | | |
|-------------------------|------------------------|---|-------------------|
| tested acc. to standard | IEC 60664-1, IEC 61984 | Short-time withstand current resistance | 3 x 1s with 120 A |
|-------------------------|------------------------|---|-------------------|

Packing

| | | | |
|-----------|-------|------------|-------|
| Packaging | Box | VPE length | 97 mm |
| VPE width | 89 mm | VPE height | 40 mm |

Classifications

| | | | |
|-------------|-------------|-------------|-------------|
| ETIM 6.0 | EC000796 | ETIM 7.0 | EC000796 |
| ETIM 8.0 | EC000796 | ECLASS 9.0 | 27-44-02-04 |
| ECLASS 9.1 | 27-44-02-04 | ECLASS 10.0 | 27-44-02-04 |
| ECLASS 11.0 | 27-44-02-04 | ECLASS 12.0 | 27-44-02-04 |

Important note

| | |
|----------------|--|
| IPC conformity | Conformity: The products are developed, manufactured and delivered according international recognized standards and norms and comply with the assured properties in the data sheet resp. fulfill decorative properties in accordance with IPC-A-610 "Class 2". Further claims on the products can be evaluated on request. |
| Notes | <ul style="list-style-type: none"> • Long term storage of the product with average temperature of 50 °C and average humidity 70%, 36 months |

Approvals

Approvals



ROHS Conform

DFFC 0.22-0.35 SN E**Weidmüller Interfaces GmbH & Co. KG**

Postfach 3030

32760 Detmold

Tel. +49 5231 14-0

Fax. +49 5231 14-2083

info@weidmueller.comwww.weidmueller.com**Technical data****Downloads**Approval/Certificate/Document of
Conformity[Declaration of the Manufacturer](#)

Catalogues

[Catalogues in PDF-format](#)

Brochures

[FL DRIVES EN](#)[MB DEVICE MANUF. EN](#)[FL DRIVES DE](#)[FL BUILDING SAFETY EN](#)[FL APPL LED LIGHTING EN](#)[FLIndustr.CONTROLS EN](#)[FL MACHINE SAFETY EN](#)[FL HEATING ELECTR EN](#)[FL APPL INVERTER EN](#)[FL_BASE_STATION EN](#)[FL ELEVATOR EN](#)[FL POWER SUPPLY EN](#)[FL 72H SAMPLE SER EN](#)[PO OMNIMATE EN](#)[PO OMNIMATE EN](#)

DFFC 0.22-0.35 SN E**Weidmüller Interfaces GmbH & Co. KG**

Postfach 3030

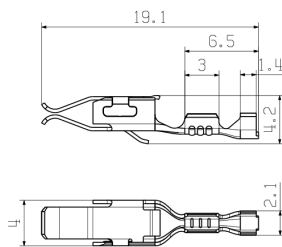
32760 Detmold

Tel. +49 5231 14-0

Fax. +49 5231 14-2083

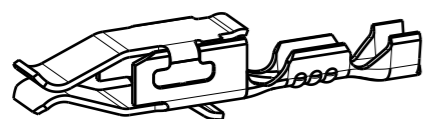
info@weidmueller.com

www.weidmueller.com

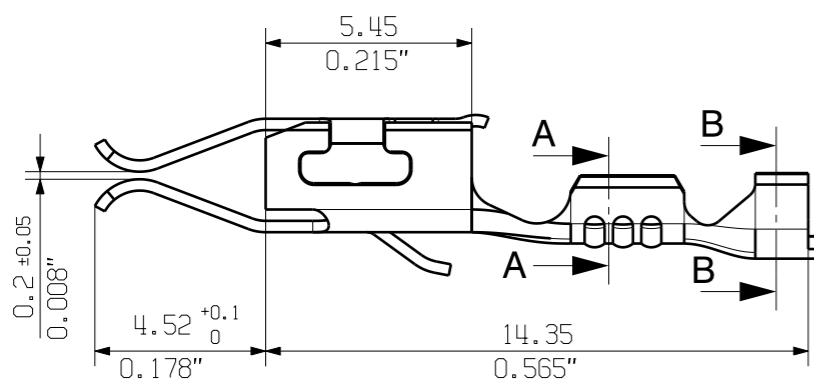
Drawings**Dimensional drawing**

allgemeingültige Kundenzeichnung, aktueller Stand nur auf Anfrage
 general customer drawing, topical version only if required

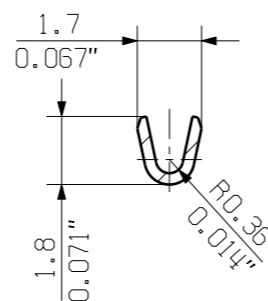
M 5/1



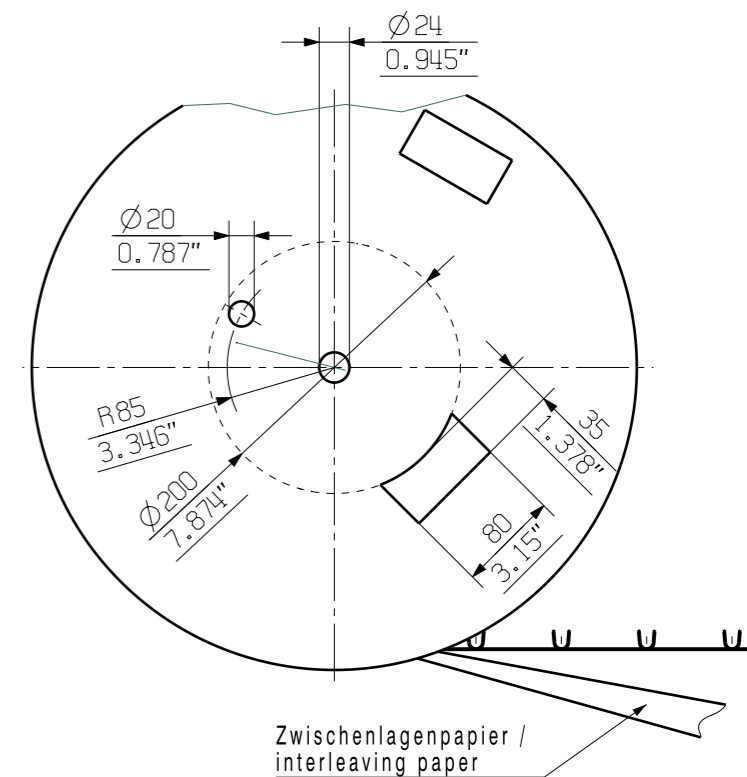
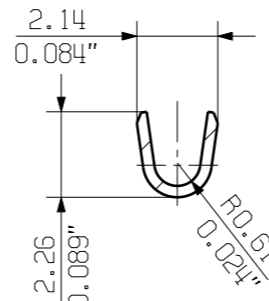
DFFC 0.22-0.35mm²



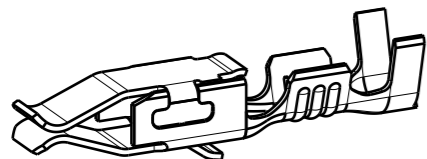
A-A



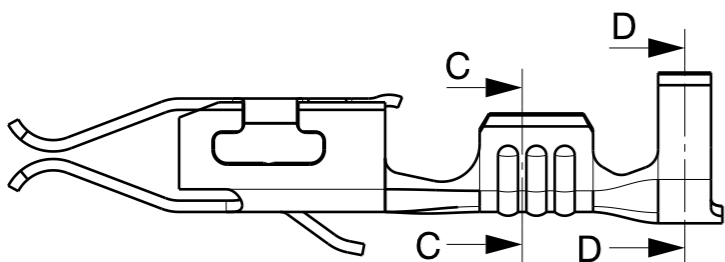
B-B



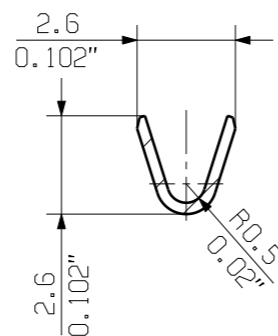
M 5/1



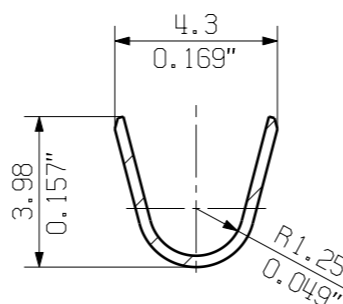
DFFC 0.5-1.0mm²



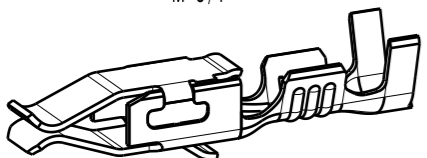
C-C



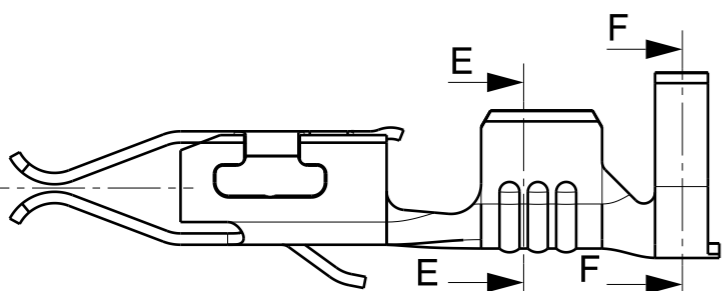
D-D



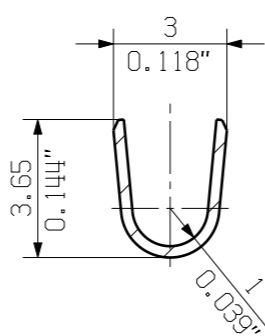
M 5/1



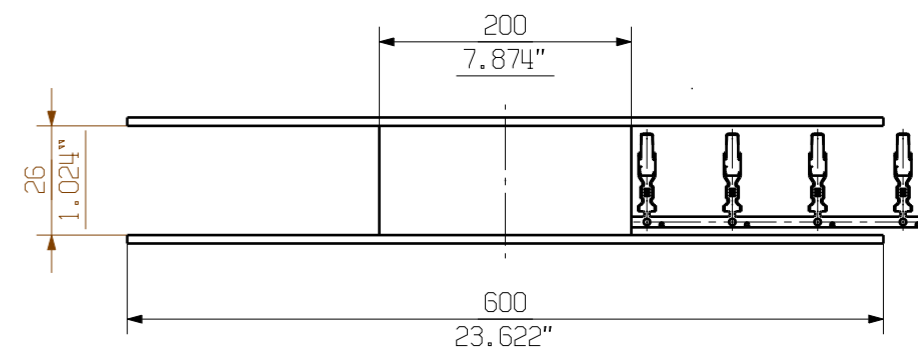
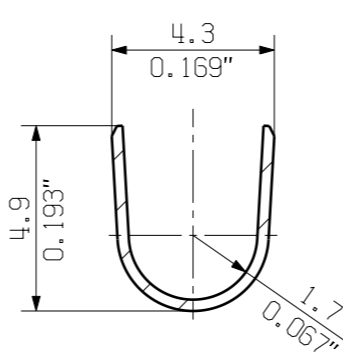
DFFC 1.50-2.50mm²



E-E



F-F



For the mounting of PCBs, it should be noted that the rated data given in the catalogue relates only to the connection elements. The necessary creepage and clearance paths must be observed in connection with the respective applicant in accordance to VDE 0110. The current-carrying capacity and pitch tolerance is to be determined according to DIN IEC 326 part 3 very fine.

Weidmüller connectors are tested to the DIN VDE 0627 standard, and are valid for its field of application. Provided that the connectors are used to the intended purpose, all requirements with respect to the occurring of electrical, mechanical, thermic and corrosive stress will be satisfied.

| | | | |
|----------------------------------|------------------------------|---|----------------------------|
| 1604260000 | 1604240000 | 0.22mm ² -0.35mm ² | Au0.8, Ni1-2 u. Sn4±1 |
| 1604250000 | 1604230000 | | Sn 4-8 |
| 1625530000 | 1625520000 | 0.50mm ² -1.00mm ² | Ag4±1 u. Sn4±1 |
| 1567080000 | 1540100000 | | Au0.8, Ni1-2 u. Sn4±1 |
| 1567060000 | 1480000000 | | Sn 4-8 |
| 1625510000 | 1625500000 | 1.50mm ² -2.50mm ² | Ag4±1 u. Sn4±1 |
| 1567090000 | 1540200000 | | Au0.8, Ni1-2 u. Sn4±1 |
| 1567070000 | 1480100000 | | Sn 4-8 |
| Einzelkontakt/ separate cont. | Bandware / cont. on strip | Leiterquerschnitt / conductor cross-section | Oberfläche finish&surf. |
| Bestell-Nr. / cat.no. | | | Cat.no.: |

GENERAL TOLERANCE:
 DIN ISO 2768-m



88771/5
 23.06.16 HELIS_MA 00



3 32368 11

Drawing no. 3 32368 11
 Sheet 05 of 05 sheets

| | | |
|-------------|------------|----------|
| Drawn | 30.03.2007 | HERTEL_S |
| Responsible | | HERTEL_S |
| Checked | 26.07.2016 | HELIS_MA |
| Approved | | LANG_T |

Scale: 10/1
 Supersedes: .
 Product file: DFFC
 7169

DFFC
 CRIMPKONTAKT
 CRIMP CONTACT

The reproduction, distribution and utilization of this document as well as the communication of its contents to others without explicit authorization is prohibited. Offenders will be held liable for the payment of damages. Weidmüller exclusively reserves the right to file for patents, utility models or designs. © Weidmüller Interface GmbH & Co. KG

X-ON Electronics

Largest Supplier of Electrical and Electronic Components

Click to view similar products for [Heavy Duty Power Connectors](#) category:

Click to view products by [Weidmuller](#) manufacturer:

Other Similar products are found below :

[6646058-2](#) [6646137-1](#) [6646138-1](#) [6646940-1](#) [6651091-1](#) [6651525-1](#) [6651529-1](#) [696475-1](#) [702-32-01109](#) [73080255059](#) [73080965046](#)
[7310205040001](#) [765-16-0080B](#) [765-18-0080D](#) [902-77-02113](#) [PS00/A0620/6300](#) [AN0024023](#) [154-42B7WM250](#) [MS3117-14AC](#) [1643543-1](#)
[1766966-1](#) [1791340000](#) [NLDFT-3-BL-L-S120-M40A](#) [NLDFT-N-W-L-C240-M40B](#) [1926015-1](#) [NLS-3-BL-C240-M40B](#) [NLS-N-W-C240-](#)
[M40B](#) [NPS-3-BL-T6](#) [2-1589900-8](#) [9300480317](#) [294-0091-01100](#) [296-0040-01100](#) [1-6609148-0](#) [A32595-0049](#) [1766249-1](#) [19000005132](#)
[1926016-1](#) [1-966831-8](#) [AN0024202](#) [AN0264023](#) [279-0841-10100A](#) [281-0334-00100A](#) [RMSB4](#) [419-2083-301](#) [LCDX4/0-14B-X](#) [075-8519-](#)
[001](#) [078238-1613](#) [07.470.3256.0](#) [09000005288](#) [09140240311](#)