

**BL 3.50/02/270 SN BK BX**
**Weidmüller Interfaces GmbH & Co. KG**

Postfach 3030

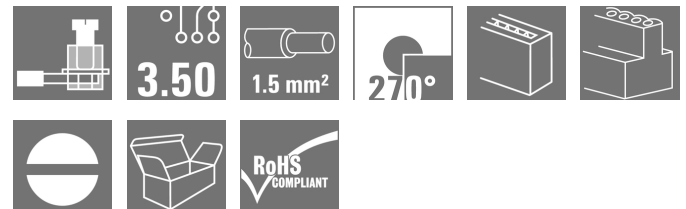
32760 Detmold

Tel. +49 5231 14-0

Fax. +49 5231 14-2083

info@weidmueller.com

www.weidmueller.com

**Product image**


Similar to illustration

Female connectors with clamping yoke screw system for connecting conductors at 3.50 mm pitch. They provide space for labelling and can be coded.

**General ordering data**

|              |  |
|--------------|--|
| Version      | PCB plug-in connector, female plug, 3.50 mm, Number of poles: 2, 270°, Clamping yoke connection, Clamping range, max. : 1.5 mm², Box |
| Order No.    | <a href="#">1639700000</a>   |
| Type         | BL 3.50/02/270 SN BK BX  |
| GTIN (EAN)   | 4008190277253  |
| Qty.         | 258 pc(s).   |
| Product data | IEC: 320 V / 12 A / 0.2 - 1.5 mm²<br>UL: 300 V / 8 A / AWG 28 - AWG 14   |
| Packaging    | Box  |

**BL 3.50/02/270 SN BK BX**
**Weidmüller Interfaces GmbH & Co. KG**

Postfach 3030

32760 Detmold

Tel. +49 5231 14-0

Fax. +49 5231 14-2083

[info@weidmueller.com](mailto:info@weidmueller.com)
[www.weidmueller.com](http://www.weidmueller.com)
**Technical data**
**Dimensions and weights**

|            |          |                 |            |
|------------|----------|-----------------|------------|
| Depth      | 22.45 mm | Depth (inches)  | 0.884 inch |
| Height     | 12 mm    | Height (inches) | 0.472 inch |
| Width      | 7 mm     | Width (inches)  | 0.276 inch |
| Net weight | 2.1 g    |                 |            |

**System Parameters**

|  |                                     |                   |                             |
|--|-------------------------------------|-------------------|-----------------------------|
| Product family                               | OMNIMATE Signal - series BL/SL 3.50 |                   |                             |
| Type of connection                           | Field connection                    |                   |                             |
| Wire connection method                       | Clamping yoke connection            |                   |                             |
| Pitch in mm (P)                              | 3.5 mm                              |                   |                             |
| Pitch in inches (P)                          | 0.138 inch                          |                   |                             |
| Conductor outlet direction                   | 270°                                |                   |                             |
| Number of poles                              | 2                                   |                   |                             |
| L1 in mm                                     | 3.5 mm                              |                   |                             |
| L1 in inches                                 | 0.138 inch                          |                   |                             |
| Number of rows                               | 1                                   |                   |                             |
| Pin series quantity                          | 1                                   |                   |                             |
| Rated cross-section                          | 1.5 mm <sup>2</sup>                 |                   |                             |
| Touch-safe protection acc. to DIN VDE 57 106 | Safe from finger touch              |                   |                             |
| Touch-safe protection acc. to DIN VDE 0470   | IP 20                               |                   |                             |
| Volume resistance                            | ≤5 mΩ                               |                   |                             |
| Can be coded                                 | Yes                                 |                   |                             |
| Stripping length                             | 6 mm                                |                   |                             |
| Clamping screw                               | M 2                                 |                   |                             |
| Screwdriver blade                            | 0.4 x 2.5                           |                   |                             |
| Screwdriver blade standard                   | DIN 5264                            |                   |                             |
| Plugging cycles                              | 25                                  |                   |                             |
| Plugging force/pole, max.                    | 7 N                                 |                   |                             |
| Pulling force/pole, max.                     | 5 N                                 |                   |                             |
| Tightening torque                            | Torque type                         | Wire connection   |                             |
|  | Usage information                   | Tightening torque | min. 0.2 Nm<br>max. 0.25 Nm |

**Material data**

|                                       |                            |                                       |        |
|---------------------------------------|----------------------------|---------------------------------------|--------|
| Insulating material                   | PBT                        | Colour                                | black  |
| Colour chart (similar)                | RAL 9011                   | Insulating material group             | IIIa   |
| Comparative Tracking Index (CTI)      | ≥ 200                      | UL 94 flammability rating             | V-0    |
| Contact material                      | Copper alloy               | Contact surface                       | tinned |
| Layer structure of plug contact       | 4...8 μm Sn hot-dip tinned | Storage temperature, min.             | -40 °C |
| Storage temperature, max.             | 70 °C                      | Operating temperature, min.           | -50 °C |
| Operating temperature, max.           | 100 °C                     | Temperature range, installation, min. | -30 °C |
| Temperature range, installation, max. | 100 °C                     |                                       |        |

**Conductors suitable for connection**

|   |                      |
|---|----------------------|
| Clamping range, min.                    | 0.08 mm <sup>2</sup> |
| Clamping range, max.                    | 1.5 mm <sup>2</sup>  |
| Wire connection cross section AWG, min. | AWG 28               |
| Wire connection cross section AWG, max. | AWG 14               |

Creation date September 16, 2022 8:39:31 AM CEST

## BL 3.50/02/270 SN BK BX

Weidmüller Interfaces GmbH & Co. KG

Postfach 3030

32760 Detmold

Tel. +49 5231 14-0

Fax. +49 5231 14-2083

info@weidmueller.com

www.weidmueller.com

## Technical data

|   |                     |  |
|---|---------------------|--|
| Solid, min. H05(07) V-U                         | 0.2 mm <sup>2</sup> |  |
| Solid, max. H05(07) V-U                         | 1.5 mm <sup>2</sup> |  |
| Flexible, min. H05(07) V-K                      | 0.2 mm <sup>2</sup> |  |
| Flexible, max. H05(07) V-K                      | 1.5 mm <sup>2</sup> |  |
| w. plastic collar ferrule, DIN 46228 pt 4, min. | 0.2 mm <sup>2</sup> |  |
| w. plastic collar ferrule, DIN 46228 pt 4, max. | 1.5 mm <sup>2</sup> |  |
| w. wire end ferrule, DIN 46228 pt 1, min.       | 0.2 mm <sup>2</sup> |  |
| w. wire end ferrule, DIN 46228 pt 1, max.       | 1.5 mm <sup>2</sup> |  |
| Plug gauge in accordance with EN 60999 a x b; ø | 2.4 mm x 1.5 mm     |  |

| Clampable conductor                    | Cross-section for conductor connection | Type                         | fine-wired                   |
|--|--|------------------------------|------------------------------|
|  |  | nominal                      | 0.5 mm <sup>2</sup>          |
| wire end ferrule                       | wire end ferrule                       | Stripping length             | nominal 8 mm                 |
|  |  | Recommended wire-end ferrule | <a href="#">H0.5/12 OR</a>   |
|  |  | Stripping length             | nominal 6 mm                 |
|  |  | Recommended wire-end ferrule | <a href="#">H0.5/6</a>       |
| Cross-section for conductor connection | wire end ferrule                       | Type                         | fine-wired                   |
|  |  | nominal                      | 0.75 mm <sup>2</sup>         |
|  |  | Stripping length             | nominal 8 mm                 |
|  |  | Recommended wire-end ferrule | <a href="#">H0.75/12 W</a>   |
| Cross-section for conductor connection | wire end ferrule                       | Type                         | fine-wired                   |
|  |  | nominal                      | 1 mm <sup>2</sup>            |
|  |  | Stripping length             | nominal 8 mm                 |
|  |  | Recommended wire-end ferrule | <a href="#">H1.0/12 GE</a>   |
| Cross-section for conductor connection | wire end ferrule                       | Type                         | fine-wired                   |
|  |  | nominal                      | 0.25 mm <sup>2</sup>         |
|  |  | Stripping length             | nominal 8 mm                 |
|  |  | Recommended wire-end ferrule | <a href="#">H0.25/10 HBL</a> |
| Cross-section for conductor connection | wire end ferrule                       | Type                         | fine-wired                   |
|  |  | nominal                      | 0.34 mm <sup>2</sup>         |
|  |  | Stripping length             | nominal 8 mm                 |
|  |  | Recommended wire-end ferrule | <a href="#">H0.34/10 TK</a>  |

Reference text The outside diameter of the plastic collar should not be larger than the pitch (P). Length of ferrules is to be chosen depending on the product and the rated voltage.

**BL 3.50/02/270 SN BK BX**

**Weidmüller Interfaces GmbH & Co. KG**

Postfach 3030

32760 Detmold

Tel. +49 5231 14-0

Fax. +49 5231 14-2083

**Technical data**

**Rated data acc. to IEC**

|   |                        |   |                   |
|---|------------------------|---|-------------------|
| tested acc. to standard   | IEC 60664-1, IEC 61984 | Rated current, min. number of poles (Tu=20°C)                         | 12 A              |
| Rated current, max. number of poles (Tu=20°C)                             | 10 A                   | Rated current, min. number of poles (Tu=40°C)                         | 10 A              |
| Rated current, max. number of poles (Tu=40°C)                             | 8 A                    | Rated voltage for surge voltage class / pollution degree II/2         | 320 V             |
| Rated voltage for surge voltage class / pollution degree III/2            | 160 V                  | Rated voltage for surge voltage class / pollution degree III/3        | 160 V             |
| Rated impulse voltage for surge voltage class/ pollution degree II/2      | 2.5 kV                 | Rated impulse voltage for surge voltage class/ pollution degree III/2 | 2.5 kV            |
| Rated impulse voltage for surge voltage class/ contamination degree III/3 | 2.5 kV                 | Short-time withstand current resistance                               | 3 x 1s with 100 A |

**Rated data acc. to CSA**

|                                   |  |                                   |                |
|-----------------------------------|--|-----------------------------------|----------------|
| Institute (CSA)                   |  | Certificate No. (CSA)             | 154685-1318353 |
| Rated voltage (Use group B / CSA) | 300 V  | Rated voltage (Use group D / CSA) | 300 V          |
| Rated current (Use group B / CSA) | 10 A   | Rated current (Use group D / CSA) | 10 A           |
| Wire cross-section, AWG, min.     | AWG 28   | Wire cross-section, AWG, max.     | AWG 14         |
| Reference to approval values      | Specifications are maximum values, details - see approval certificate. |                                   |                |

**Packing**

|           |        |            |        |
|-----------|--------|------------|--------|
| Packaging | Box    | VPE length | 338 mm |
| VPE width | 130 mm | VPE height | 27 mm  |

**Type tests**

|  |            |  |
|--|------------|--|
| Test: Durability of markings                 | Standard   | DIN EN 61984 section 7.3.2 / 09.02 taking pattern from DIN EN 60068-2-70 / 07.96   |
|  | Test       | mark of origin, type identification, approval marking SEV, approval marking CSA    |
|  | Evaluation | available  |
|  | Test       | durability   |
|  | Evaluation | passed   |
| Test: Misengagement (Non-interchangeability) | Standard   | DIN EN 61984 section 6.3 and 6.9.1 / 09.02, DIN IEC 60512 part 7 section 5 / 05.94 |
|  | Test       | 180° turned with coding elements   |
|  | Evaluation | passed   |

**BL 3.50/02/270 SN BK BX**

**Weidmüller Interfaces GmbH & Co. KG**

Postfach 3030

32760 Detmold

Tel. +49 5231 14-0

**Technical data**

Fax. +49 5231 14-2083

|   |                |  |                                     |
|---|----------------|--|-------------------------------------|
| Test: Clampable cross section                             | Standard       | DIN EN 60999-1 section 7 and 9.1 / 12.00, DIN EN 60947-2 section 2.4.5 |                                     |
|   | Conductor type | Type of conductor and conductor cross-section                          | solid 0.2 mm <sup>2</sup>           |
|   |                | Type of conductor and conductor cross-section                          | stranded 0.2 mm <sup>2</sup>        |
|   |                | Type of conductor and conductor cross-section                          | solid 1.5 mm <sup>2</sup>           |
|   |                | Type of conductor and conductor cross-section                          | stranded 1.5 mm <sup>2</sup>        |
|   |                | Type of conductor and conductor cross-section                          | AWG 28/1                            |
|   |                | Type of conductor and conductor cross-section                          | AWG 28/19                           |
|   |                | Type of conductor and conductor cross-section                          | AWG 16/1                            |
|   |                | Type of conductor and conductor cross-section                          | AWG 16/19                           |
| Evaluation  | passed         |  |                                     |
| Test for damage to and accidental loosening of conductors | Standard       | DIN EN 60999-1 section 9.4 / 12.00                                     |                                     |
|   | Requirement    | 0.2 kg   |                                     |
|   | Conductor type | Type of conductor and conductor cross-section                          | AWG 28/1                            |
|   |                | Type of conductor and conductor cross-section                          | AWG 28/19                           |
|   | Evaluation     | passed   |                                     |
|   | Requirement    | 0.3 kg   |                                     |
|   | Conductor type | Type of conductor and conductor cross-section                          | 2 × AWG 24/1                        |
|   |                | Type of conductor and conductor cross-section                          | 2 × AWG 24/19 with wire end ferrule |
|   | Evaluation     | passed   |                                     |
|   | Requirement    | 0.4 kg   |                                     |
|   | Conductor type | Type of conductor and conductor cross-section                          | solid 1.5 mm <sup>2</sup>           |
|   |                | Type of conductor and conductor cross-section                          | stranded 1.5 mm <sup>2</sup>        |
| Type of conductor and conductor cross-section             |                | AWG 16/7   |                                     |
| Evaluation  | passed         |  |                                     |

## BL 3.50/02/270 SN BK BX

Weidmüller Interfaces GmbH &amp; Co. KG

Postfach 3030

32760 Detmold

Tel. +49 5231 14-0

Fax. +49 5231 14-2083

DIN EN 60999-1 section 9.5 / 12.00

≥5 N info@weidmueller.com

## Technical data

|   |                |   |   |
|---|----------------|---|---|
| Pull-out test                                 | Standard       | DIN EN 60999-1 section 9.5 / 12.00            |   |
|   | Requirement    | ≥5 N info@weidmueller.com                     |   |
|   | Conductor type | Type of conductor and conductor cross-section | AWG 28/1                                      |
|   |                | Type of conductor and conductor cross-section | AWG 28/19                                     |
|   | Evaluation     | passed  |   |
|   | Requirement    | ≥10 N   |   |
|   |                | Conductor type                                | Type of conductor and conductor cross-section |
|   |                |   | Type of conductor and conductor cross-section |
|   | Evaluation     | passed  |   |
|   | Requirement    | ≥40 N   |   |
|   |                | Conductor type                                | Type of conductor and conductor cross-section |
| Type of conductor and conductor cross-section | H05V-K1.5      |   |   |
| Type of conductor and conductor cross-section | AWG 16/7       |   |   |
|   | Evaluation     | passed  |   |

## Classifications

|             |             |             |             |
|-------------|-------------|-------------|-------------|
| ETIM 6.0    | EC002638    | ETIM 7.0    | EC002638    |
| ETIM 8.0    | EC002638    | ECLASS 9.0  | 27-44-03-09 |
| ECLASS 9.1  | 27-44-03-09 | ECLASS 10.0 | 27-44-03-09 |
| ECLASS 11.0 | 27-46-02-02 | ECLASS 12.0 | 27-46-02-02 |

## Important note

IPC conformity Conformity: The products are developed, manufactured and delivered according international recognized standards and norms and comply with the assured properties in the data sheet resp. fulfill decorative properties in accordance with IPC-A-610 "Class 2". Further claims on the products can be evaluated on request.

|       |  |
|-------|--|
| Notes | <ul style="list-style-type: none"> <li>• Additional variants on request</li> <li>• Gold-plated contact surfaces on request</li> <li>• Rated current related to rated cross-section &amp; min. No. of poles.</li> <li>• Max. outer diameter of the conductor: 2.9 mm</li> <li>• Wire end ferrule without plastic collar to DIN 46228/1</li> <li>• Wire end ferrule with plastic collar to DIN 46228/4</li> <li>• P on drawing = pitch</li> <li>• Rated data refer only to the component itself. Clearance and creepage distances to other components are to be designed in accordance with the relevant application standards.</li> <li>• Long term storage of the product with average temperature of 50 °C and average humidity 70%, 36 months</li> </ul> |
|-------|--|

Creation date September 16, 2022 8:39:31 AM CEST

Catalogue status 09.09.2022 / We reserve the right to make technical changes.

**Data sheet**

**BL 3.50/02/270 SN BK BX**

**Weidmüller Interfaces GmbH & Co. KG**

Postfach 3030

32760 Detmold

Tel. +49 5231 14-0

Fax. +49 5231 14-2083

[info@weidmueller.com](mailto:info@weidmueller.com)

[www.weidmueller.com](http://www.weidmueller.com)

**Technical data**

**Approvals**

Approvals



|                       |            |
|-----------------------|------------|
| ROHS                  | Conform    |
| UL File Number Search | UL Website |
| Certificate No. (UR)  | E60693     |

**Downloads**

|   |   |
|---|---|
| Approval/Certificate/Document of Conformity | <a href="#">Declaration of the Manufacturer</a>   |
| Engineering Data                            | <a href="#">CAD data – STEP</a>   |
| Catalogues                                  | <a href="#">Catalogues in PDF-format</a>  |
| Brochures                                   | <a href="#">FL DRIVES EN</a><br><a href="#">MB DEVICE MANUF. EN</a><br><a href="#">FL DRIVES DE</a><br><a href="#">FL BUILDING SAFETY EN</a><br><a href="#">FL APPL LED LIGHTING EN</a><br><a href="#">FLIndustr.CONTROLS EN</a><br><a href="#">FL MACHINE SAFETY EN</a><br><a href="#">FL HEATING ELECTR EN</a><br><a href="#">FL APPL INVERTER EN</a><br><a href="#">FL_BASE_STATION_EN</a><br><a href="#">FL ELEVATOR EN</a><br><a href="#">FL POWER SUPPLY EN</a><br><a href="#">FL 72H SAMPLE SER EN</a><br><a href="#">PO OMNIMATE EN</a><br><a href="#">PO OMNIMATE EN</a> |

**BL 3.50/02/270 SN BK BX**

**Weidmüller Interfaces GmbH & Co. KG**

Postfach 3030

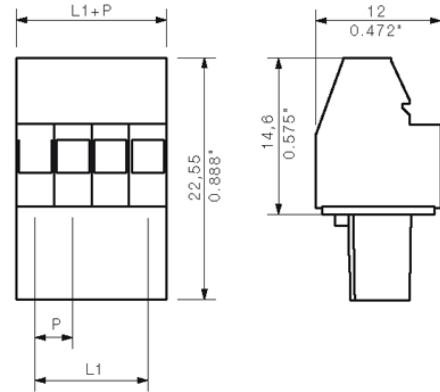
32760 Detmold

Tel. +49 5231 14-0

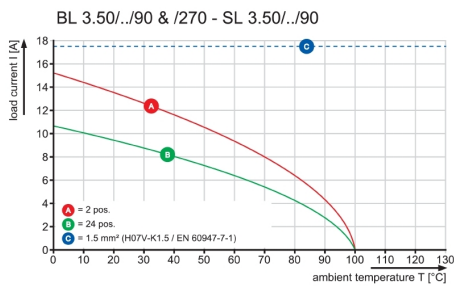
Fax. +49 5231 14-2083

**Drawings**

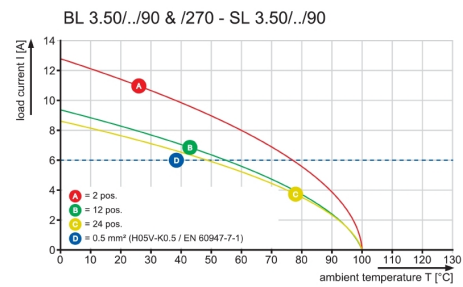
**Dimensional drawing** [info@weidmueller.com](mailto:info@weidmueller.com)



**Graph**



**Graph**

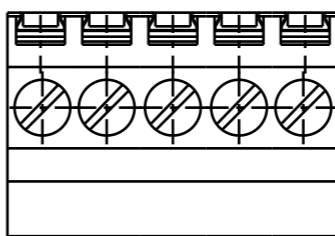
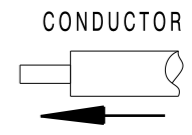
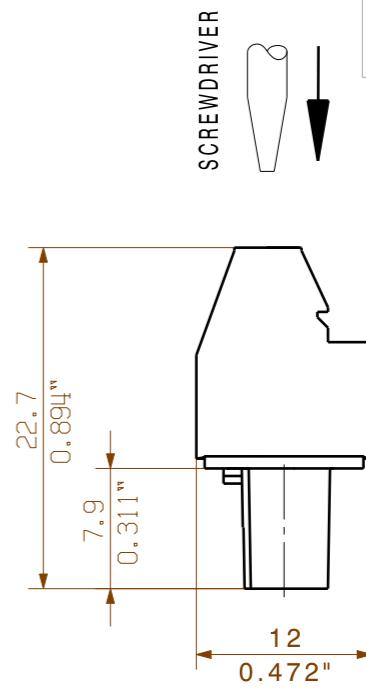
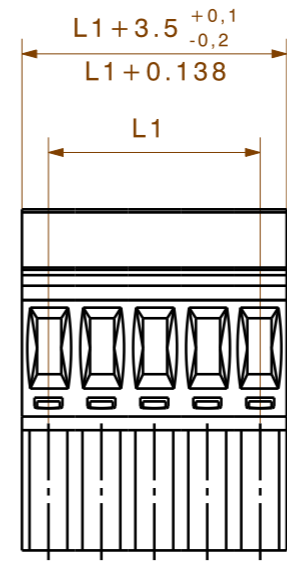




WEITERGABE SOWIE VERVIELFÄLTIGUNG DIESES DOKUMENTS, VERWERTUNG UND MITTEILUNG SEINES INHALTS SIND VERBOTEN, SOWEIT NICHT AUSDRUECKLICH GESTATTET. ZUWIDERHANDLUNGEN VERPFLICHTEN ZU SCHADENERSATZ. ALLE RECHTE FUER DEN FALL DER PATENT-, GEBRAUCHSMUSTER- ODER GESCHMACKSMUSTEREINTRAGUNG VORBEHALTEN. THE REPRODUCTION, DISTRIBUTION AND UTILIZATION OF THIS DOCUMENT AS WELL AS THE COMMUNICATION OF ITS CONTENTS TO OTHERS WITHOUT EXPLICIT AUTHORIZATION IS PROHIBITED. OFFENDERS WILL BE HELD LIABLE FOR THE PAYMENT OF DAMAGES. WEIDMUELLER EXCLUSIVELY RESERVES THE RIGHT TO FILE FOR PATENTS, UTILITY MODELS OR DESIGNS.

© WEIDMUELLER INTERFACE GmbH & Co.KG

DIE DEUTSCHE VERSION IST VERBINDLICH  
THE GERMAN VERSION IS BINDING



|    |         |           |
|----|---------|-----------|
| 24 | 80,50   | 3,169     |
| 23 | 77,00   | 3,031     |
| 22 | 73,50   | 2,894     |
| 21 | 70,00   | 2,756     |
| 20 | 66,50   | 2,618     |
| 19 | 63,00   | 2,480     |
| 18 | 59,50   | 2,343     |
| 17 | 56,00   | 2,205     |
| 16 | 52,50   | 2,067     |
| 15 | 49,00   | 1,929     |
| 14 | 45,50   | 1,791     |
| 13 | 42,00   | 1,654     |
| 12 | 38,50   | 1,516     |
| 11 | 35,00   | 1,378     |
| 10 | 31,50   | 1,240     |
| 9  | 28,00   | 1,102     |
| 8  | 24,50   | 0,965     |
| 7  | 21,00   | 0,827     |
| 6  | 17,50   | 0,689     |
| 5  | 14,00   | 0,551     |
| 4  | 10,50   | 0,413     |
| 3  | 7,00    | 0,276     |
| 2  | 3,50    | 0,138     |
| n  | L1 [mm] | L1 [Inch] |

For the mounting of PCBs, it should be noted that the rated data stated here relates only to the PCB components alone. The necessary creepage and clearance paths must be observed in connection with the respective applicant in accordance to IEC 664 / VDE 0110. The current-carrying capacity and pitch tolerance is to be determined according to DIN IEC 326 part 3 very fine.

Weidmüller PCB components are tested to the DIN EN 61984 standard, and are valid for its field of application. Provided that the components are used to the intended purpose, all requirements with respect to the occurring of electrical, mechanical, thermic and corrosive stress will be satisfied.

SHOWN : BL3.50/05/270

|               |                |                   |   |  |
|---------------|----------------|-------------------|---|--|
|               | DIN ISO 2768-m |                   | CAT.NO.: .  |  |
|               | 74368/5        | 15.04.14 HELIS_MA | 01  |  |
|               |                |                   | <b>C 21347 09</b><br>DRAWING NO. ISSUE NO.<br>SHEET 01 OF 02 SHEETS |  |
|               |                | DATE              | NAME  | <b>BL 3.50/.../270...</b><br>BUCHSENLEISTE<br>SOCKET BLOCK |
| SCALE: 5/1    |                | DRAWN             | 24.07.2003 KOWOLLIK_R   |  |
| SUPERSEDES: . |                | RESPONSIBLE       | LANG_T  |  |
|               |                | CHECKED           | 15.04.2014 THELEN_E   |  |
|               |                | APPROVED          | HECKERT_M   | PRODUCT FILE: BL 3.50 90/270                               |
|               |                |                   | 7368  |  |

## **X-ON Electronics**

Largest Supplier of Electrical and Electronic Components

*Click to view similar products for [Weidmuller manufacturer:](#)*

Other Similar products are found below :

[9926252205](#) [1527710000](#) [1596520000](#) [1697190000](#) [1726520000](#) [8924550000](#) [8950710000](#) [56956](#) [0126700000](#) [6720000227](#) [6720005111](#)  
[6720005330](#) [68676](#) [69236](#) [69718](#) [EXO24CH](#) [7940000218](#) [8432240000](#) [8463580000](#) [8581180000](#) [8881610000](#) [9001080000](#) [9002660000](#)  
[9003720000](#) [9008380000](#) [9012020000](#) [9025800000](#) [9032010000](#) [9032020000](#) [903708](#) [9046390000](#) [9104673500](#) [910640](#) [9129643500](#)  
[913155](#) [9159530000](#) [919656](#) [919764](#) [9202230000](#) [9202850000](#) [9203710000](#) [9204640000](#) [9455640000](#) [9456750000](#) [9457913000](#) [980811](#)  
[980826](#) [9919371205](#) [1166660000](#) [11751](#)