

HDC-C-HE-SM0.5AU**Weidmüller Interface GmbH & Co. KG**

Klingenbergstraße 26

D-32758 Detmold

Germany

www.weidmueller.com



Crimps provide a electrical and mechanical connection between wire and contact that is both secure and reliable. The optimal crimp connection is gas-tight and corrosion-resistant.

General ordering data

Version	Heavy-duty connectors, Crimp contact, HE, HEE, HQ, MixMate, Pin, Conductor cross-section, max.: 0.5, turned, Copper alloy
Order No.	1651420000
Type	HDC-C-HE-SM0.5AU
GTIN (EAN)	4008190400095
Qty.	100 pc(s).

Creation date September 16, 2022 8:59:22 AM CEST

Catalogue status 09.09.2022 / We reserve the right to make technical changes.

HDC-C-HE-SM0.5AU**Weidmüller Interface GmbH & Co. KG**

Klingenbergstraße 26

D-32758 Detmold

Germany

www.weidmueller.com

Technical data**Dimensions and weights**

Diameter	4.5 mm	Net weight	1.32 g
----------	--------	------------	--------

Environmental Product Compliance

REACH SVHC	Lead 7439-92-1	SCIP	6eabd5ae-2d6b-409e-8bdf-87c27ee1
------------	----------------	------	----------------------------------

General data

Conductor cross-section, max.	0.5 mm ²	Contact diameter, male Ø	2.5 mm
Contact material	Copper alloy	Cross-section for connected wire	0.5 mm ²
Material	Copper alloy	Plugging cycles	≥ 500
Production methods	turned	Series	HE
Stripping length, rated connection	7.5 mm	Surface finish	gold
Surface layer thickness, max.	1.25 µm	Surface layer thickness, min.	0.75 µm
Type	Pin	Type of connection	Crimp connection
Version insert	HE, HEE, HQ, MixMate	Volume resistance	≤2 mΩ

Classifications

ETIM 6.0	EC000796	ETIM 7.0	EC000796
ETIM 8.0	EC000796	ECLASS 9.0	27-44-02-04
ECLASS 9.1	27-44-02-04	ECLASS 10.0	27-44-02-04
ECLASS 11.0	27-44-02-04	ECLASS 12.0	27-44-02-04

Approvals

Approvals



ROHS	Conform
UL File Number Search	UL Website
Certificate No. (cURus)	E92202

Downloads

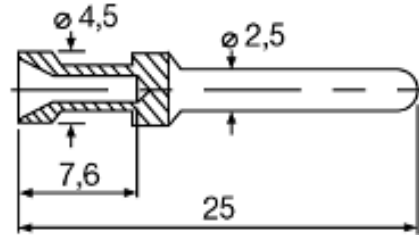
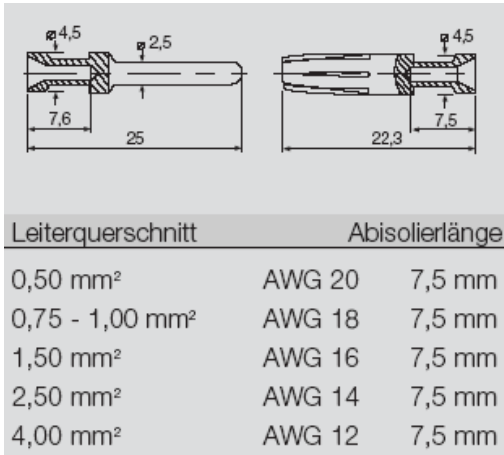
Engineering Data	CAD data – STEP
Engineering Data	EPLAN, WSCAD
Catalogues	Catalogues in PDF-format
Brochures	FL FIELDWIRING EN FL FIELDWIRING EN

HDC-C-HE-SM0.5AU

Weidmüller Interface GmbH & Co. KG
 Klingenbergstraße 26
 D-32758 Detmold
 Germany

www.weidmueller.com

Drawings



X-ON Electronics

Largest Supplier of Electrical and Electronic Components

Click to view similar products for [Heavy Duty Power Connectors](#) category:

Click to view products by [Weidmuller](#) manufacturer:

Other Similar products are found below :

[6646058-2](#) [6646137-1](#) [6646138-1](#) [6646940-1](#) [6651091-1](#) [6651525-1](#) [6651529-1](#) [696475-1](#) [702-32-01109](#) [73080255059](#) [73080965046](#)
[7310205040001](#) [765-16-0080B](#) [765-18-0080D](#) [902-77-02113](#) [PS00/A0620/6300](#) [AN0024023](#) [154-42B7WM250](#) [MS3117-14AC](#) [1643543-1](#)
[1766966-1](#) [1791340000](#) [NLDFT-3-BL-L-S120-M40A](#) [NLDFT-N-W-L-C240-M40B](#) [1926015-1](#) [NLS-3-BL-C240-M40B](#) [NLS-N-W-C240-](#)
[M40B](#) [NPS-3-BL-T6](#) [2-1589900-8](#) [9300480317](#) [294-0091-01100](#) [296-0040-01100](#) [1-6609148-0](#) [A32595-0049](#) [1766249-1](#) [19000005132](#)
[1926016-1](#) [1-966831-8](#) [AN0024202](#) [AN0264023](#) [279-0841-10100A](#) [281-0334-00100A](#) [RMSB4](#) [419-2083-301](#) [LCDX4/0-14B-X](#) [075-8519-](#)
[001](#) [078238-1613](#) [07.470.3256.0](#) [09000005288](#) [09140240311](#)