

HDC 10B SDLU 2PG16G

Weidmüller Interfaces GmbH & Co. KG

Postfach 3030

32760 Detmold

Tel. +49 5231 14-0

Fax. +49 5231 14-2083

info@weidmueller.com

www.weidmueller.com



The special die-cast alloy and the multi-layered surface sealing provide complete protection for the HDC housings.

The cleverly designed interlock system is manufactured from stainless steel. This guarantees a long lifespan with high resistance to corrosion and impact.

The housing interlock system provides integrated safety. Our unique, patented spring system provides the housing interlock with a secure grip and prevents accidental opening.

The laser marking allows for easy and quick identification. Each housing is permanently labelled with a laser marking so that each product can be quickly designated and positioned.

Weidmüller RockStar® IP 65 / NEMA Type 4X housings - your first choice for industrial housings with IP 65 protection.

General ordering data

Version	HDC enclosures, Size: 4, Protection degree: IP65 (in plugged condition), Base housing, End-locking clamp, lower side, Standard, with cover, Size of cable entries: PG 16
Order No.	1655680000
Type	HDC 10B SDLU 2PG16G
GTIN (EAN)	4008190408701
Qty.	1 pc(s).

HDC 10B SDLU 2PG16G

Weidmüller Interfaces GmbH & Co. KG

Postfach 3030

32760 Detmold

Tel. +49 5231 14-0

Fax. +49 5231 14-2083

info@weidmueller.com

www.weidmueller.com

Technical data

Dimensions and weights

Height	79.5 mm	Height (inches)	3.13 inch
Width	98.9 mm	Width (inches)	3.894 inch
Mounting dimension - height	40 mm	Mounting dimension - width	82 mm
Net weight	347 g		

Temperatures

Limit temperature -40 °C ... 125 °C

Environmental Product Compliance

REACH SVHC Lead 7439-92-1, Potassium perfluorobutane sulfonate 29420-49-3
 SCIP e98b2b24-ba23-41bf-8d19-0dda3647412f

Chemical resistance	Substance	Chemical resistance
	Acetone	Conditionally resistant
	Drilling oil	Resistant
	Diesel	Resistant
	Ethyl alcohol	Resistant
	Transmission oil	Resistant
	Hydraulic oil	Resistant
	Coolant	Resistant
	Petroleum benzine	Resistant
	Sweat	Resistant
	Premium gasoline	Conditionally resistant
	Water	Resistant
	UV	Unstable
	Ozone	Unstable

Dimensions

Cable entry	w. thread	Height of base B1	5 mm
Height of housing B	57 mm	Hole pitch length A2	82 mm
Total length housing	73 mm	Width base C1	53.5 mm
Width housing C	43 mm		

General data

EMC housings	No	Housing main material	diecast aluminium
Material of locking element	Stainless steel, rust-proof	Protection class note	Protection class with secured cover: IP 65
Protection degree	IP65 (in plugged condition)	Surface finish	Powder coating

Creation date September 16, 2022 8:54:01 AM CEST

HDC 10B SDLU 2PG16G**Weidmüller Interfaces GmbH & Co. KG**

Postfach 3030

32760 Detmold

Tel. +49 5231 14-0

Fax. +49 5231 14-2083

info@weidmueller.com

www.weidmueller.com

Technical data**Version**

BG	4	Cable entry	www.weidmueller.com
Clamp version	End-locking clamp	Colour (RAL)	RAL 7035
Cover	with cover	Design	Standard
Design of cover	with cover	Design of housing	Base housing
Design of locking system	End-locking clamp, lower side	Internal thread	PG 16
Number of cable entry on top	0	Number of cable entry sideways	2
Sealing	NBR	Size	4
Size of cable entries	PG 16	Suitable for ModuPlug®	No
Top part/bottom part/lid	lower part	Type	Base housing

Classifications

ETIM 6.0	EC000437	ETIM 7.0	EC000437
ETIM 8.0	EC000437	ECLASS 9.0	27-44-02-02
ECLASS 9.1	27-44-02-02	ECLASS 10.0	27-44-02-02
ECLASS 11.0	27-44-02-02	ECLASS 12.0	27-44-02-02

Approvals

Approvals



ROHS

Conform

Downloads

Approval/Certificate/Document of Conformity	Manufacturer's declaration
Engineering Data	CAD data – STEP
Engineering Data	EPLAN, WSCAD
Product Change Notification	20220214 Technical change to HDC housings 20220214 Technische Änderung bei HDC-Gehäusen
Technical Documentation	1655680000 HDC_10B_SDLU_2PG16G_STP_Blatt_1.pdf
Catalogues	Catalogues in PDF-format
Brochures	FL FIELDWIRING EN FL FIELDWIRING EN

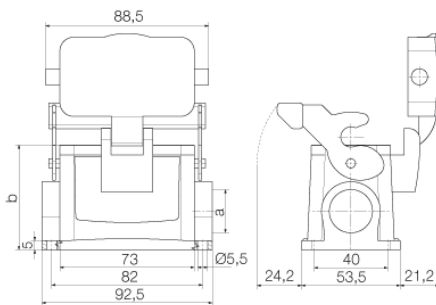
HDC 10B SDLU 2PG16G**Weidmüller Interfaces GmbH & Co. KG**

Postfach 3030

32760 Detmold

Tel. +49 5231 14-0

Fax. +49 5231 14-2083

info@weidmueller.comwww.weidmueller.com**Drawings**

X-ON Electronics

Largest Supplier of Electrical and Electronic Components

Click to view similar products for [Heavy Duty Power Connectors](#) category:

Click to view products by [Weidmuller](#) manufacturer:

Other Similar products are found below :

[6646058-2](#) [6646137-1](#) [6646138-1](#) [6646940-1](#) [6651091-1](#) [6651525-1](#) [6651529-1](#) [696475-1](#) [702-32-01109](#) [73080255059](#) [73080965046](#)
[7310205040001](#) [765-16-0080B](#) [765-18-0080D](#) [902-77-02113](#) [PS00/A0620/6300](#) [AN0024023](#) [154-42B7WM250](#) [MS3117-14AC](#) [1643543-1](#)
[1766966-1](#) [1791340000](#) [NLDFT-3-BL-L-S120-M40A](#) [NLDFT-N-W-L-C240-M40B](#) [1926015-1](#) [NLS-3-BL-C240-M40B](#) [NLS-N-W-C240-](#)
[M40B](#) [NPS-3-BL-T6](#) [2-1589900-8](#) [9300480317](#) [294-0091-01100](#) [296-0040-01100](#) [1-6609148-0](#) [A32595-0049](#) [1766249-1](#) [19000005132](#)
[1926016-1](#) [1-966831-8](#) [AN0024202](#) [AN0264023](#) [279-0841-10100A](#) [281-0334-00100A](#) [RMSB4](#) [419-2083-301](#) [LCDX4/0-14B-X](#) [075-8519-](#)
[001](#) [078238-1613](#) [07.470.3256.0](#) [09000005288](#) [09140240311](#)