

**SAI-8-MH-5P M12****Weidmüller Interface GmbH & Co. KG**

Klingenbergstraße 26

D-32758 Detmold

Germany

www.weidmueller.com



Cable gland: M25 for cables with an outer insulation diameter from 13 mm to 18 mm. The SAI distributor with M25 cable gland is suitable among others for the following cable types:

- 21 x 0.50 mm
- 18 x 0.75 mm bis 21 x 0.75 mm
- 14 x 100 mm bis 20 x 100 mm
- 8 x 1.50 mm bis 16 x 1.50 mm

**General ordering data**

Version	SAI Passive, Sensor-actuator passive distributor, M12, Hood version with M20 outlet, Yes
Order No.	<a href="#">1701252000</a>
Type	SAI-8-MH-5P M12
GTIN (EAN)	4032248184491
Qty.	1 pc(s).

Creation date September 16, 2022 9:29:26 AM CEST

Catalogue status 09.09.2022 / We reserve the right to make technical changes.

## SAI-8-MH-5P M12

Weidmüller Interface GmbH &amp; Co. KG

Klingenbergstraße 26

D-32758 Detmold

Germany

www.weidmueller.com

## Technical data

## Dimensions and weights

Depth	152 mm	Depth (inches)	5.984 inch
Height	55 mm	Height (inches)	2.165 inch
Width	60 mm	Width (inches)	2.362 inch
Net weight	563 g		

## Temperatures

Operating temperature	-20 - 90°C
-----------------------	------------

## Environmental Product Compliance

REACH SVHC	Lead 7439-92-1
------------	----------------

## Connection data

Conductor O.D., min.	10 mm	Conductor O.D., max.	14 mm
Cable glands	M 20	Clamping range, min.	0.08 mm <sup>2</sup>
Clamping range, max.	1.5 mm <sup>2</sup>	Storage space	gross
Distributor outlet	Hood version with M20 outlet	Connection type PE	Screw connection

## Electrical data

Rated voltage, min.	10 V	Rated voltage, max.	30 V
Test voltage	1 kV	Max. current-carrying capacity per slot	4 A
Total current	10 A	Current per signal	2 A
Electrical isolation available	Yes	Insulation strength	10 <sup>9</sup> Ω

## General technical data

Plug-in station coding	A	Number of poles	5
Number of contact sockets	8	Connection thread	M12
Pollution severity	3	Fire behaviour	V-0
Plugging cycles	≤ 50	LED	Yes
LED initiator	Yes	LED colour for indicating operation	green
LED colour for I/O function	yellow		

## Material data

Housing main material	Pocan (base module), Zinc diecast (hood)	Material of distributor	metal
Housing colour	silver	Hood sealing material	Polyurethane foamed
Screw socket	Nickel-plated CuZn	Contact material	CuZn
Contact surface	Gold-plated	Contact carrier material	PBT (UL 94 V0)

## Technical data cable

Conductor O.D., max.	14 mm	Conductor O.D., min.	10 mm
Number of poles	5	Suitable for cable carriers	No

## SAI-8-MH-5P M12

**Weidmüller Interface GmbH & Co. KG**  
Klingenbergstraße 26  
D-32758 Detmold  
Germany

www.weidmueller.com

## Technical data

### Classifications

ETIM 6.0	EC002585	ETIM 7.0	EC003558
ETIM 8.0	EC003558	ECLASS 9.0	27-44-01-08
ECLASS 9.1	27-44-01-08	ECLASS 10.0	27-44-01-11
ECLASS 11.0	27-44-01-11	ECLASS 12.0	27-44-01-11

### Approvals

Approvals



ROHS

Conform

### Downloads

Engineering Data	<a href="#">CAD data – STEP</a>
Engineering Data	<a href="#">WSCAD</a>
Catalogues	<a href="#">Catalogues in PDF-format</a>
Brochures	<a href="#">FL FIELDWIRING EN</a> <a href="#">FL FIELDWIRING EN</a>

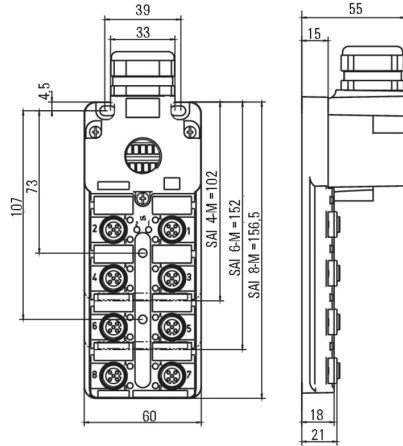
**SAI-8-MH-5P M12**

**Weidmüller Interface GmbH & Co. KG**  
 Klingenbergstraße 26  
 D-32758 Detmold  
 Germany

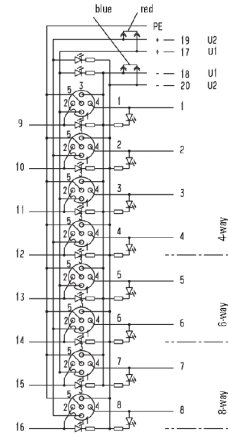
www.weidmueller.com

**Drawings**

**Dimensioned drawing**



**Wiring diagram**



## X-ON Electronics

Largest Supplier of Electrical and Electronic Components

*Click to view similar products for [Sensor Fixings & Accessories](#) category:*

*Click to view products by [Weidmuller](#) manufacturer:*

Other Similar products are found below :

[F03-01 SUS304 BINIL](#) [8000-5130](#) [FH-AP1](#) [PH-1-10M](#) [PH-1-20M](#) [PH-2-30M](#) [AC201](#) [R4](#) [ADI-LC3S](#) [E39-L149](#) [EC18-WELL](#) [PBT420-100R](#) [K35-4](#) [A-1923](#) [ACPG-003](#) [SS-12143](#) [STA12](#) [PH-1-50M](#) [R6](#) [D01051301](#) [43912557-020](#) [MF-1 D=3.2](#) [BGN-035](#) [E39-L7](#) [ZX-SB11](#) [D01070602](#) [606072](#) [606075](#) [Y92ES12PVC4A10ML](#) [Y92ES12PVC4S5ML](#) [ZFV-XMF2](#) [E4R-R12A-CS3M010](#) [ZX-SW11E V3](#) [CCS-PL-LDR2-70](#) [E4R-R12A-CS3M020](#) [BS-1T CHITAN](#) [T63353](#) [F03-01 CHITAN](#) [PH-2-90M](#) [PH-2-5M](#) [XMLZL008](#) [AC244](#) [PH-1-40M](#) [PH-2-60M](#) [ZG2-XC15CR](#) [ZS-SW11V3E](#) [ZS-MDC11](#) [ZS-DSU11](#) [ZJ-SFW11](#) [Y92E-ST505-05](#)