

**HDC CM 5 MC****Weidmüller Interface GmbH & Co. KG**

Klingenbergstraße 26

D-32758 Detmold

Germany

www.weidmueller.com



The CM5 modules are assembled with crimp contacts. The crimp contact features a stainless steel spring. The provides a secure snap-in contact with the module. A contact removal tool is available for removing the contacts. The modules can be ordered with or without the integrated module release aid. A removal tool is available for modules that do not have the integrated module release aid.

**General ordering data**

Version	Heavy-duty connectors, HDC insert, ConCept module
Order No.	<a href="#">1758380000</a>
Type	HDC CM 5 MC
GTIN (EAN)	4032248019601
Qty.	10 pc(s).

Creation date September 16, 2022 10:37:17 AM CEST

Catalogue status 09.09.2022 / We reserve the right to make technical changes.

**HDC CM 5 MC****Weidmüller Interface GmbH & Co. KG**

Klingenbergstraße 26

D-32758 Detmold

Germany

www.weidmueller.com

**Technical data****Dimensions and weights**

Depth	34 mm	Depth (inches)	1.339 inch
Height	30.5 mm	Height (inches)	1.201 inch
Width	11.4 mm	Width (inches)	0.449 inch
Net weight	6.2 g		

**ConCept Pneumatic module**

Colour	beige	UL 94 flammability rating	V-0
--------	-------	---------------------------	-----

**Dimensions**

Height of plug	30.5 mm	Total length base	34 mm
Width	11.4 mm		

**General data**

Insulation strength	$10^{12} \Omega$	Material	Polycarbonate, glass fibre reinforced
Number of poles	5	Pollution severity	3
Rated current (DIN EN 61984)	20 A	Rated impulse voltage (DIN EN 61984)	6 kV
Rated voltage (DIN EN 61984)	250 V	Series	ConCept module
Surge voltage category	III	Type	Pin
UL 94 flammability rating	V-0	Volume resistance	$\leq 2 \text{ m}\Omega$

**Connection data PE**

Connection type PE	Screw connection via module frame
--------------------	-----------------------------------

**Version**

Conductor cross-section, max.	4 mm <sup>2</sup>	Conductor cross-section, min.	0.5 mm <sup>2</sup>
Material	Polycarbonate, glass fibre reinforced	Stripping length, rated connection	7 mm
Type of connection	Crimp connection	Volume resistance	$\leq 2 \text{ m}\Omega$
Wire connection cross section AWG, max.	AWG 12	Wire connection cross section AWG, min.	AWG 20

**Classifications**

ETIM 6.0	EC000438	ETIM 7.0	EC000438
ETIM 8.0	EC000438	ECLASS 9.0	27-44-02-05
ECLASS 9.1	27-44-02-05	ECLASS 10.0	27-44-02-05
ECLASS 11.0	27-44-02-05	ECLASS 12.0	27-44-02-05

**Approvals**

Approvals



ROHS

Conform

**HDC CM 5 MC**

**Weidmüller Interface GmbH & Co. KG**  
Klingenbergstraße 26  
D-32758 Detmold  
Germany

[www.weidmueller.com](http://www.weidmueller.com)

**Technical data****Downloads**

---

Approval/Certificate/Document of Conformity	<a href="#">Manufacturer's declaration</a>
Engineering Data	<a href="#">CAD data – STEP</a>
Engineering Data	<a href="#">EPLAN, WSCAD</a>
Catalogues	<a href="#">Catalogues in PDF-format</a>
Brochures	<a href="#">FL FIELDWIRING EN</a>

---

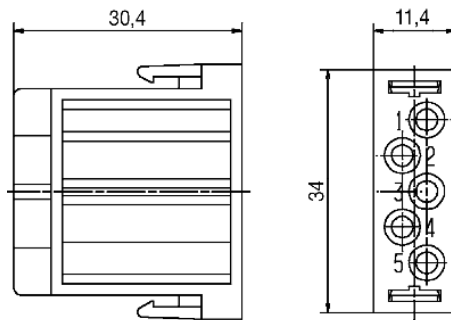
**Data sheet**

**HDC CM 5 MC**

**Weidmüller Interface GmbH & Co. KG**  
Klingenbergstraße 26  
D-32758 Detmold  
Germany

[www.weidmueller.com](http://www.weidmueller.com)

**Drawings**



## X-ON Electronics

Largest Supplier of Electrical and Electronic Components

*Click to view similar products for [Heavy Duty Power Connectors](#) category:*

*Click to view products by [Weidmuller](#) manufacturer:*

Other Similar products are found below :

[647757-1](#) [6643411-1](#) [6646058-2](#) [6646137-1](#) [6646138-1](#) [6646608-1](#) [6646786-1](#) [6646940-1](#) [6651091-1](#) [6651525-1](#) [6651529-1](#) [6651788-1](#)  
[696475-1](#) [702-32-01109](#) [703-25-02205](#) [73000005059](#) [73000005642](#) [73080254296](#) [73080255059](#) [73080965046](#) [765-15-0080A](#)  
[765-16-0080B](#) [765-18-0080D](#) [902-77-02113](#) [PS00/A0620/6300](#) [1221200000](#) [129-1J](#) [1409400](#) [E6374G1](#) [e6389g2](#) [157-43GW8](#) [MS3117-](#)  
[14AC](#) [1643543-1](#) [1650540-1](#) [1651811-2](#) [1766260-1](#) [1766282-1](#) [1766966-1](#) [1791340000](#) [NLDFT-3-BL-L-S120-M40A](#) [NLDFT-N-W-L-](#)  
[C240-M40B](#) [1926015-1](#) [NLS-N-W-C240-M40B](#) [2-1589900-8](#) [2199314-1](#) [KA8102](#) [9300480317](#) [29131](#) [294-0091-01100](#) [296-0040-01100](#)